

Leadership in fusible
circuit protection

EATON

Powering Business Worldwide



CHS Controls AB

Florettgatan 33
SE-254 67 Helsingborg, Sweden
Tel +46 42 38 61 00, Fax +46 42 38 61 29
chs@chscontrols.se
www.chscontrols.se



CHS Controls AB
Tel +46 42 38 61 00, Fax +46 42 38 61 29
chs@chscontrols.se www.chscontrols.se

We make what matters work.*



At Eaton, we believe that power is a fundamental part of just about everything people do. That's why we're dedicated to helping our customers find new ways to manage electrical, hydraulic and mechanical power more efficiently, safely and sustainably. To improve people's lives, the communities where we live and work, and the planet our future generations depend upon. Because this is what really matters. And we're here to make sure it works.

To learn more go to: Eaton.com/whatmatters



Powering Business Worldwide

We make what matters work.

1.1	NH Fuse links overview	
	Introduction	5
	NH Fuse links' selection criteria	5
	NH Fuse links applications	8
	Features of the NH DIN range	9
	Product range overview	10
	Ordering key	10
	NH Fuse links dimensions - mm	11
1.2	400 Volts range - gFF	
	Overview	21
	Catalogue numbers summary	22
	Size 000 Time-current characteristics and technical data	23
	Size 00 Time-current characteristics and technical data	24
	Size 1 Time-current characteristics and technical data	25
	Size 02 Time-current characteristics and technical data	26
	Size 2 Time-current characteristics and technical data	27
	Size 3 Time-current characteristics and technical data	28
1.3	400 Volts range - gG	
	Overview	29
	Catalogue numbers summary	30
	Size 000 Time-current characteristics and technical data	31
	Size 00 Time-current characteristics and technical data	32
	Sizes 01 and 1 Time-current characteristics and technical data	33
	Sizes 02 and 2 Time-current characteristics and technical data	34
	Sizes 03 and 3 Time-current characteristics and technical data	35
1.4	500 Volts range - gG	
	Overview	36
	Catalogue numbers summary	37-38
	Size 000 Time-current characteristics and technical data	39
	Size 00 Time-current characteristics and technical data	40
	Size 0 Time-current characteristics and technical data	41
	Size 01 Time-current characteristics and technical data	42
	Size 1 Time-current characteristics and technical data	43
	Size 02 Time-current characteristics and technical data	44
	Size 2 Time-current characteristics and technical data	45
	Size 03 Time-current characteristics and technical data	46
	Size 3 Time-current characteristics and technical data	47
	Size 4 Time-current characteristics and technical data	48
1.5	690 Volts range - gG	
	Overview	49
	Catalogue numbers summary	50
	Size 000 Time-current characteristics and technical data	51
	Size 00 Time-current characteristics and technical data	52
	Size 1 Time-current characteristics and technical data	53
	Size 2 Time-current characteristics and technical data	54
	Size 3 Time-current characteristics and technical data	55
	Size 4 Time-current characteristics and technical data	56

1.6	500 and 690 Volts range - aM	
	Overview	57
	Catalogue numbers summary	58
	Size 00 Time-current characteristics and technical data	59
	Size 00 Time-current characteristics and technical data	60
	Sizes 1 Time-current characteristics and technical data	61
	Sizes 2 Time-current characteristics and technical data	62
	Sizes 3 Time-current characteristics and technical data	63
1.7	NH Bases	
	NH Fuse bases and accessories	64-69
1.8	NH Gear	
	NH Fuse rails - vertical	70-73
	NH Fuse switch disconnectors - vertical	74-79
	NH Fuse switch disconnectors - horizontal	80-92
1.9	Index	93-94

Introduction

Eaton's Bussmann® series NH fuse links use the latest technology to provide class leading fuse link performance and reliable indication. With a unique patented dual indicator design capable of operating a microswitch for remote fuse indication, Eaton provides one of the most reliable solutions available.

The range is fully compliant with IEC 60269-1 and 2 standards, with VDE 0636-2 third party approval and complies with the dimensional requirements of DIN 43620 for ease of use.

In order to help select the correct product for an application, Eaton provides the following application notes.

NH Fuse links' selection criteria

Selecting the correct product

Before making a fuse link selection the following information should be known about the system or circuit to be protected.

Type of application (cable protection/ motor protection)

For general applications or cable protection, the standard gG (general purpose) NH fuse link should be considered. For Motor protection applications, the aM (motor protection) NH fuse link should be considered. Motor Protection (aM) fuse links have partial range breaking ability and cannot clear low overload faults. They should only be applied to circuits also protected by a motor protection relay or where only high short-circuit faults could occur.

Note: Please note that misapplication of a fuse link can be problematical, consult Eaton if there is any doubt over fuse link selection.

System voltage

Eaton's Bussmann series NH fuse links are available in three voltage ratings, 400 V, 500 V and 690 V. These are maximum voltage ratings and should not be used where the nominal system voltage could exceed the fuse link's maximum rating.

Full load current

In accordance with IEC standards, Eaton's Bussmann series NH fuse links are tested to carry full load current. The current of a fuse link should be equal or greater than the operational current of the circuit and equal or smaller than the continuous current carrying capacity of the conductor.

The standard gG (general purpose) NH fuse link with a conventional fusing current of 1.6 times current will give assured cable protection against the effects of overcurrents.

Non-fault overload currents (motor inrush currents etc)

To prevent nuisance operation of the fuse link, the fuse link rating selected for the application should take into account any non-fault overload currents. Please refer to the time-current curves in the catalogue.

Possible fault conditions and maximum short-circuit current

This information is essential in order to select the fuse link that would provide the best possible protection under all fault conditions. Eaton's Bussmann series NH fuse links have a maximum breaking capacity of 120 kA

and should never be used on a system where the maximum short-circuit current exceeds this level. Please refer to the time-current curves in the catalogue.

Time-current curves

The time-current curve is probably the most useful piece of all fuse link data available. It allows you to determine how quickly the fuse link will operate under fault conditions and which fuse link will not operate under non-fault overload currents.

To use the curve simply plot the prospective Root Mean Square (RMS) fault current along the X axis and draw a line vertically upwards from this point. Where this point intersects the fuse curve line, plot a line across to the Y axis for the relevant rating. The Y axis shows the nominal operating time for the fuse in seconds. Hence, it shows how quickly the fuse link will operate under different fault currents.

The graph can be used to check if a fuse link can withstand an overload condition that is not considered to be a fault such as a direct-on-line (DOL) motor start. For example, if a motor starts and the inrush current is six times the full load current for 10 seconds, the exact point can be plotted onto the time-current curve.

Any fuse link line lying to the right of this point will withstand the motor start current (allowing for a +/-10% tolerance on each fuse link curve). If the fuse link curve falls to the left of this point, then the fuse link will not withstand the motor start current and will inadvertently operate when the motor is started.

In summary, the rule for time-current curves is that any point on or to the right of a fuse link curve would indicate the fuse link has operated in the given time. Any point to the left of the curve would indicate the fuse link has not operated.

1.1

NH Fuse links overview

NH Fuse links' selection criteria

1.1

Cut-off curves

The graph consists of an A-B line running diagonally from bottom left to top right, see drawing below. This is known as the non current-limiting line. Branching from this A-B line you can see each individual fuse link rating line running diagonally left to right. To read the graph, plot the RMS prospective fault

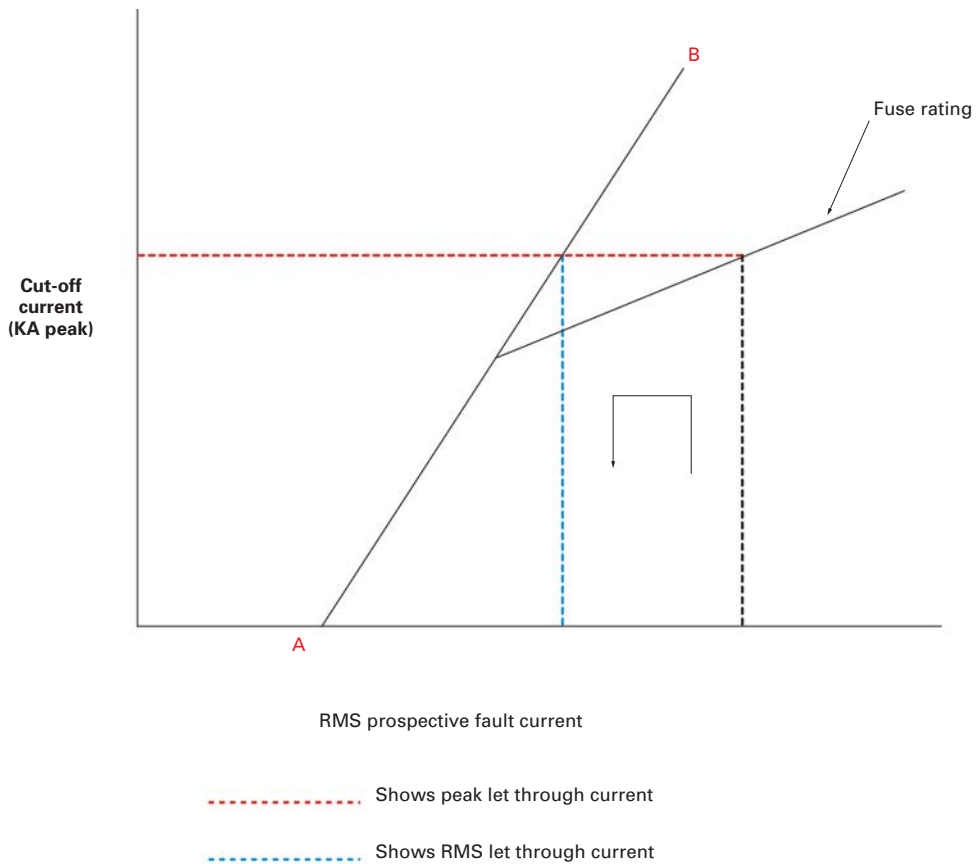
current along the X axis. If this point only intersects the A-B line then the prospective fault current is too low to benefit from the current-limiting effect of the fuse link.

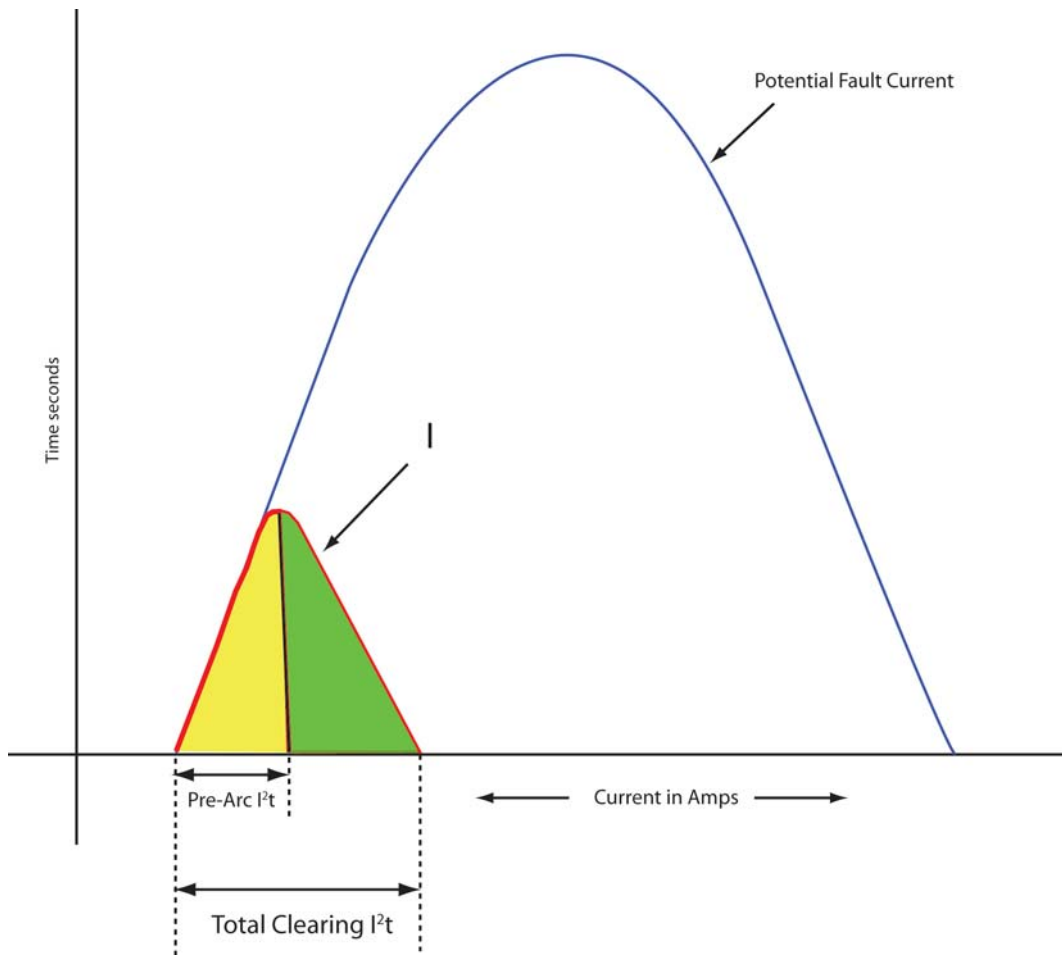
However, if this point intersects the relevant fuse link line, plot a line across to the Y axis. This point on the Y axis shows the peak asymmetrical let-through

current the fuse link will allow to pass before operating. The peak asymmetrical let-through current is the absolute worst case peak current the fuse link will allow to pass through, taking into account the DC offset seen under short-circuit conditions and low power factor.

The RMS let-through current is read from the graph using

the same procedure above. Instead of plotting the point of intersection with the fuse link current-limiting line over to the Y axis, it should only be plotted as far as the A-B line. At this point, a line can be drawn back down to the X axis to show a RMS symmetrical value of let-through current. This is known as the "up, over and down method".





I²t values

I²t values are measured at the time of testing the fuse link at their rated breaking capacity and voltage. I²t is effectively the amount of heating energy the fuse link will allow to pass during fault clearing at high short-circuit faults. I²t values relevant for short-circuit faults cannot be calculated from the time-current or cut-off curves.

The published I²t figures always show two values, pre-arcing/total clearing and are representative of the area under the first half cycle of the fault current.

- The pre-arcing value is the area under the first half cycle of fault current showing on the graph in yellow to the point just before an arc occurs within the fuse link. This is due to the element material being vaporised by the very high short-circuit current.

- The total clearing I²t is the yellow and green area under the first half cycle from the start of the short-circuit current flow to the point where the fuse link has become an insulator, completely isolating the flow of current.

The diagram here shows a representation of I²t during a half cycle of fault current.

I²t values give a good representation of the speed of operation of a fuse link. A small I²t value would indicate a very fast-acting fuse link whereas a large I²t value would indicate a fairly slow operating fuse link. In all cases the total clearing I²t value of the fuse link must be smaller than the I²t value of the device to be protected in order for the fuse link to provide adequate protection against short-circuit faults. For fuse link discrimination (see definition of discrimination below) in distribution systems, the

total clearing I²t value of the fuse link downstream should be less than the pre-arcing I²t value of the fuse link upstream. This ensures the smaller fuse link, in the system operates well before the larger upstream fuse link.

NH discrimination

Eaton's Bussmann series NH fuse links are easy to use on distribution networks where discrimination between large and small fuse links are required. This can be achieved by applying a discrimination factor of 1 to 1.6 without the need to check the fuse link data. For example, by using a 100 A fuse link downstream from the main 160A fuse link, in the event of a fault condition, the smaller 100A fuse link is sure to operate before the 160A fuse link, ensuring discrimination.

DC applications

Eaton's Bussmann series NH fuse links can be used on DC applications. In all cases the fuse links can be used at half of their AC rating with a time constant of no more than 10mS. The time constant is the rate of rise of fault current and should be as close to a 50Hz AC half cycle as possible.

Power loss

Every effort is made to ensure the power loss of the fuse link is kept to a minimum. Eaton provides fuse links with some of the lowest power losses in the industry. Power loss of the fuse link is given off as heat and this should be taken into account when fitting fuse links into unventilated areas. It is preferable that a fuse link has good airflow around the body of the fuse link to ensure cool running and prevent nuisance operation of the fuse link due to thermal stresses.

1.1

NH Fuse links overview

NH Fuse links applications

1.1

NH Fuse links applications

Utilities
NH fuse links can be found on the low voltage side of substations

Wind
NH fuse links can be found in a wind turbine

Solar
NH fuse links can be found on a solar distribution network

Industrial
NH fuse links can be used for protection of cables and distribution circuits

Motor
NH fuse links can be used for industrial motor applications

BUSSMANN SERIES

NH Fuse links overview

1.1

Features of the NH DIN range

NH Dual indicator system from Eaton

- High breaking capacity
- 400, 500 and 690 V a.c.
- Dual indication
- Insulated tag variants option available
- IEC 60269-1 and 2, DIN 43620, VDE 0636-2, CE Mark.



Metal Gripping Lugs

Insulated Metal Gripping Lugs

Features of the NH DIN range

Dual indicator system

Eaton's patented dual indicator system provides clear indication, ensuring extremely reliable local and remote* signalling, decreasing fuse link replacement time and costs.

*with the use of an optional microswitch accessory

Low power loss

Eaton's Bussmann series "low watts loss" fuse links reduce overall operating costs and carbon footprint through lower energy consumption and heat transfer to equipment. To find out how much you can save, please contact our technical applications department: buletechnical@eaton.com.



Globally compliant

Eaton's Bussmann series NH fuse links are tested and comply with IEC 60269-1 and 2, DIN 43620, VDE, CE, CCC (China), RoHS and can be recycled, ensuring global acceptance.



Lead and cadmium free

Eaton is the world's first true manufacturer of a complete range of Lead and Cadmium free NH fuse links. Negating any legislation concerns regarding the amount of hazardous materials permissible within the fuse links.



Recycling

Eaton is dedicated to produce recyclable products and is a member of an industry recognised recycling scheme. The "HRC" symbol on Eaton's Bussmann series NH fuse links define the product suitable for recycling, limiting disposal cost.



1.1

NH Fuse links overview

Product range overview

1.1

Product range overview

Voltage (V a.c.)	Class	Size	Rated current (Amps)																					Page																							
			2	4	6	10	16	20	25	32	35	40	50	63	80	100	125	160	200	224	250	300	315		355	400	425	450	500	630	800	1000	1250														
400	gFF	000				10	16		25		35		50																													23					
		00												63	80	100	125	160																								24					
		1										35		50	63	80	100	125	160	200	224	250																				25					
		02																		160	200		250																			26					
		2																																						315	355	400		27			
		3																																								450	500	630		28	
400	gG	000	2	4	6	10	16	20	25	32	35	40	50	63	80	100																											31				
		00																																										32			
		01											35	40	50	63	80	100	125	160																								33			
		1																																											33		
		02												35	40	50	63	80	100	125	160	200	224	250																					34		
		2																																											315	355	400
500	gG	000	2	4	6	10	16	20	25	32	35	40	50	63	80	100																													39		
		00																																												40	
		0																																													41
		01																																													42
		1																																													43
		02																																													
690	gG	000	2	4	6	10	16	20	25	32	35	40	50	63																																51	
		00																																													52
		1																																													53
		2																																													54
		3																																													55
		4																																													
500 and 690	aM	000																																													59
		00																																												60	
		1																																													61
		2																																													62

- Parts available as metal gripping lugs and insulated metal gripping lugs
- Parts available as insulated metal gripping lugs only
- Parts available as metal gripping lugs only

Ordering key

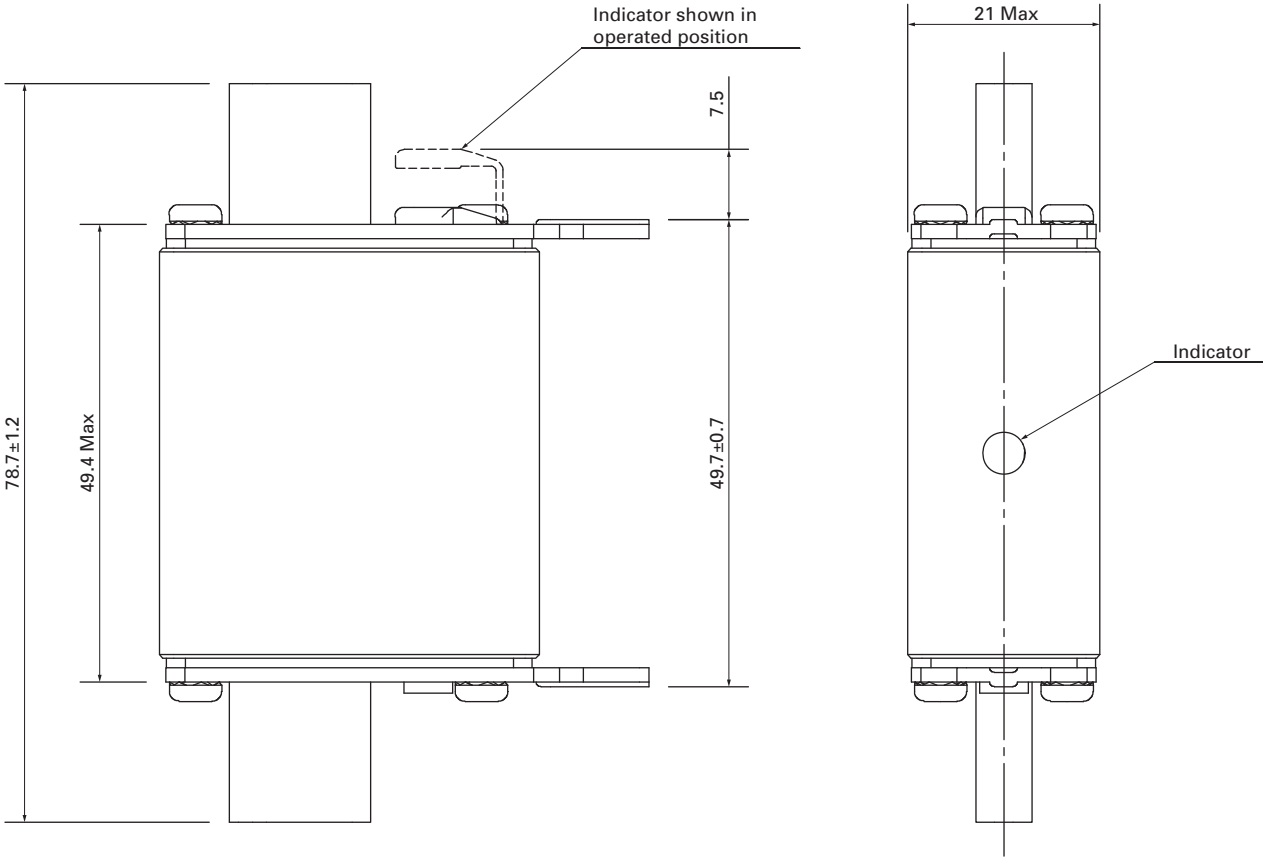
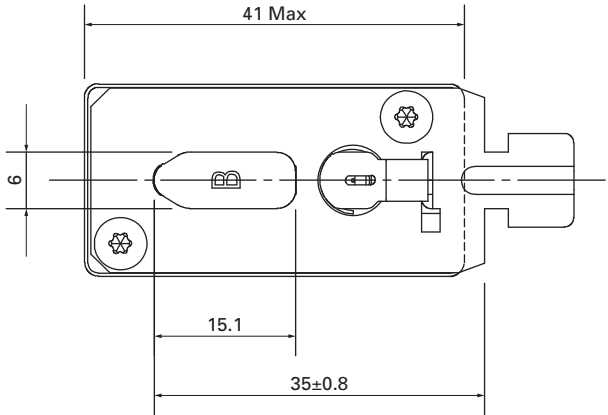
Current rating	100
NH fuse link	NH
Utilisation class	G
Body size	000
Eaton's Bussmann series	B
Insulated metal gripping lugs (optional)	I
Complete Catalogue Numbers	100 NH G 000 B I

Intuitive catalogue numbers

Eaton logical catalogue numbering system provides simple identification of fuse link current, utilisation class, size and voltage, ensuring easy identification on site reducing replacement time and improving network productivity.

NH Fuse links dimensions - mm

1.1



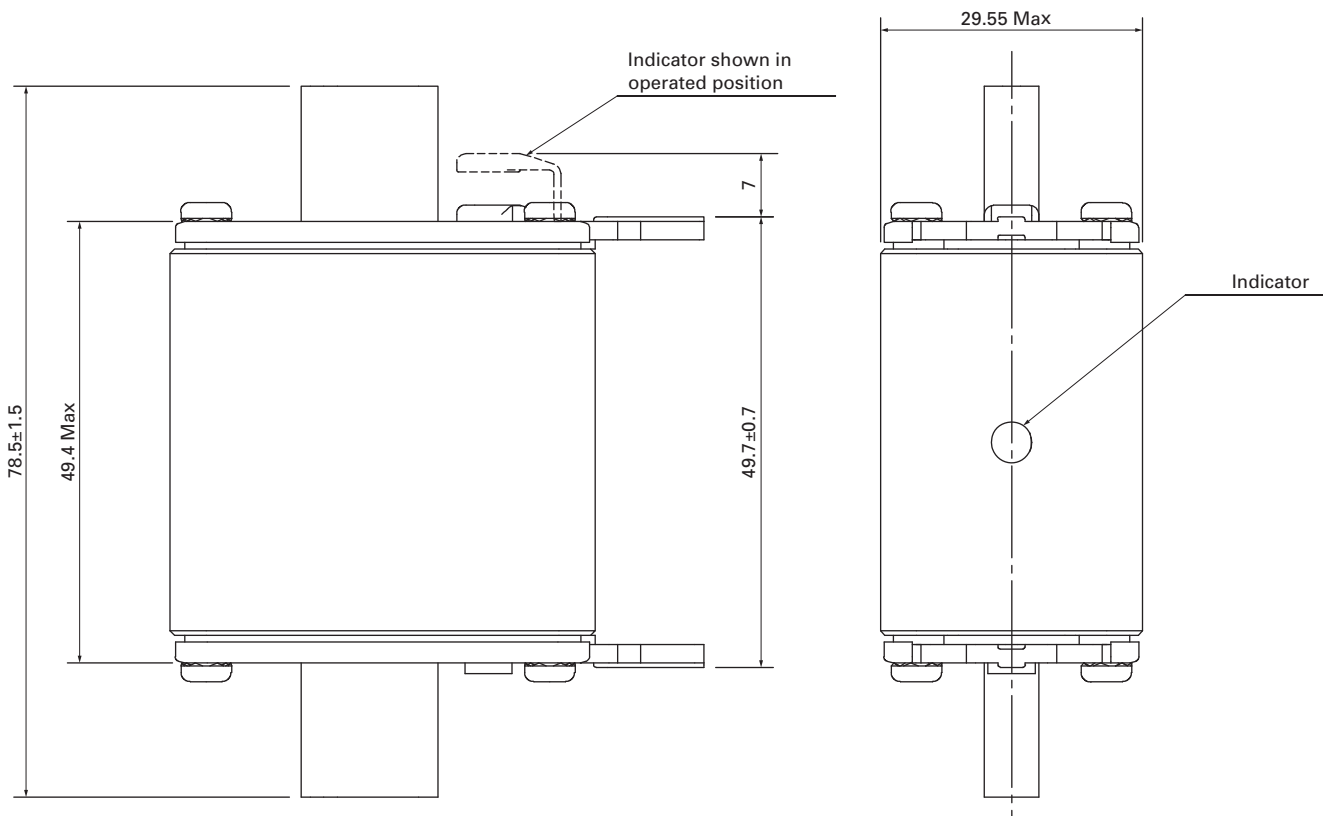
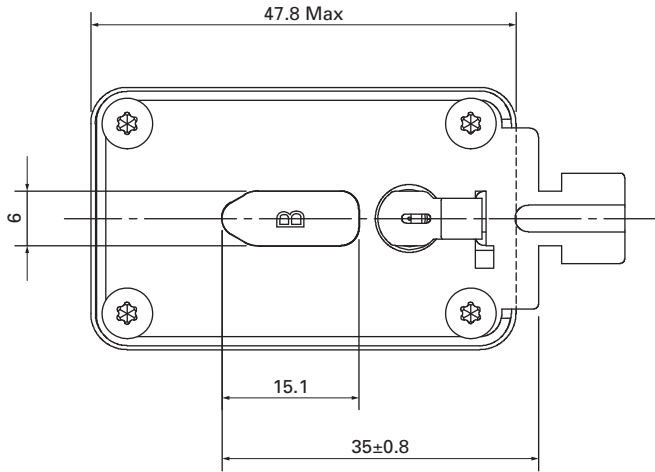
Size 000

1.1

NH Fuse links overview

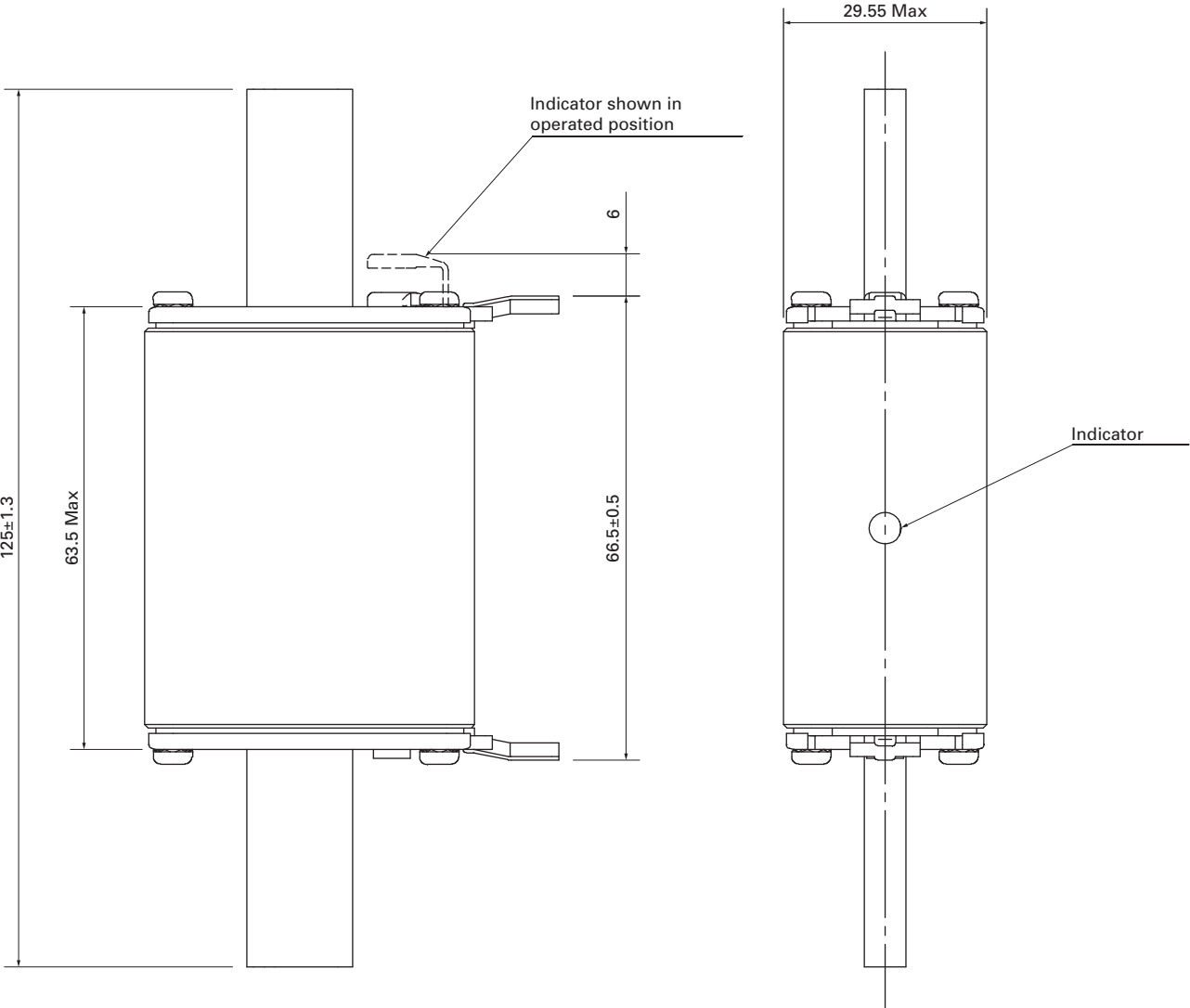
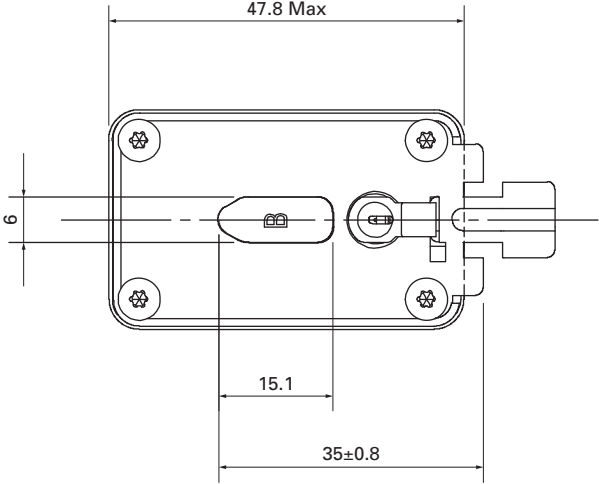
Dimensions - mm

1.1 NH Fuse links dimensions - mm



Size 00

NH Fuse links dimensions - mm



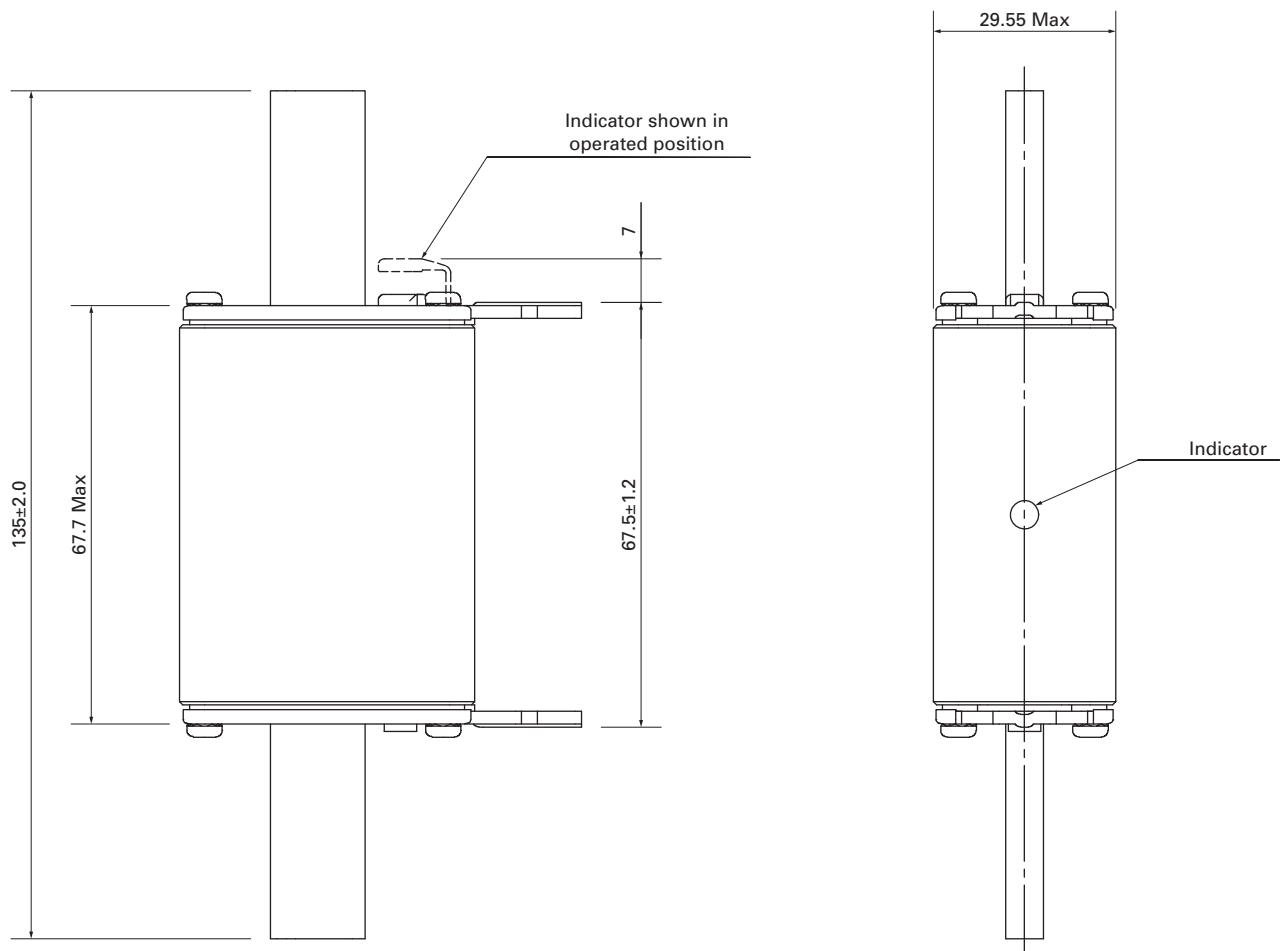
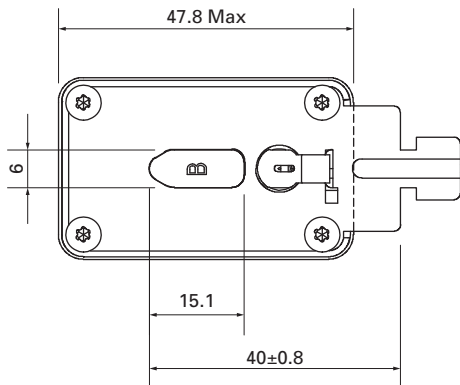
Size 0

1.1

NH Fuse links overview

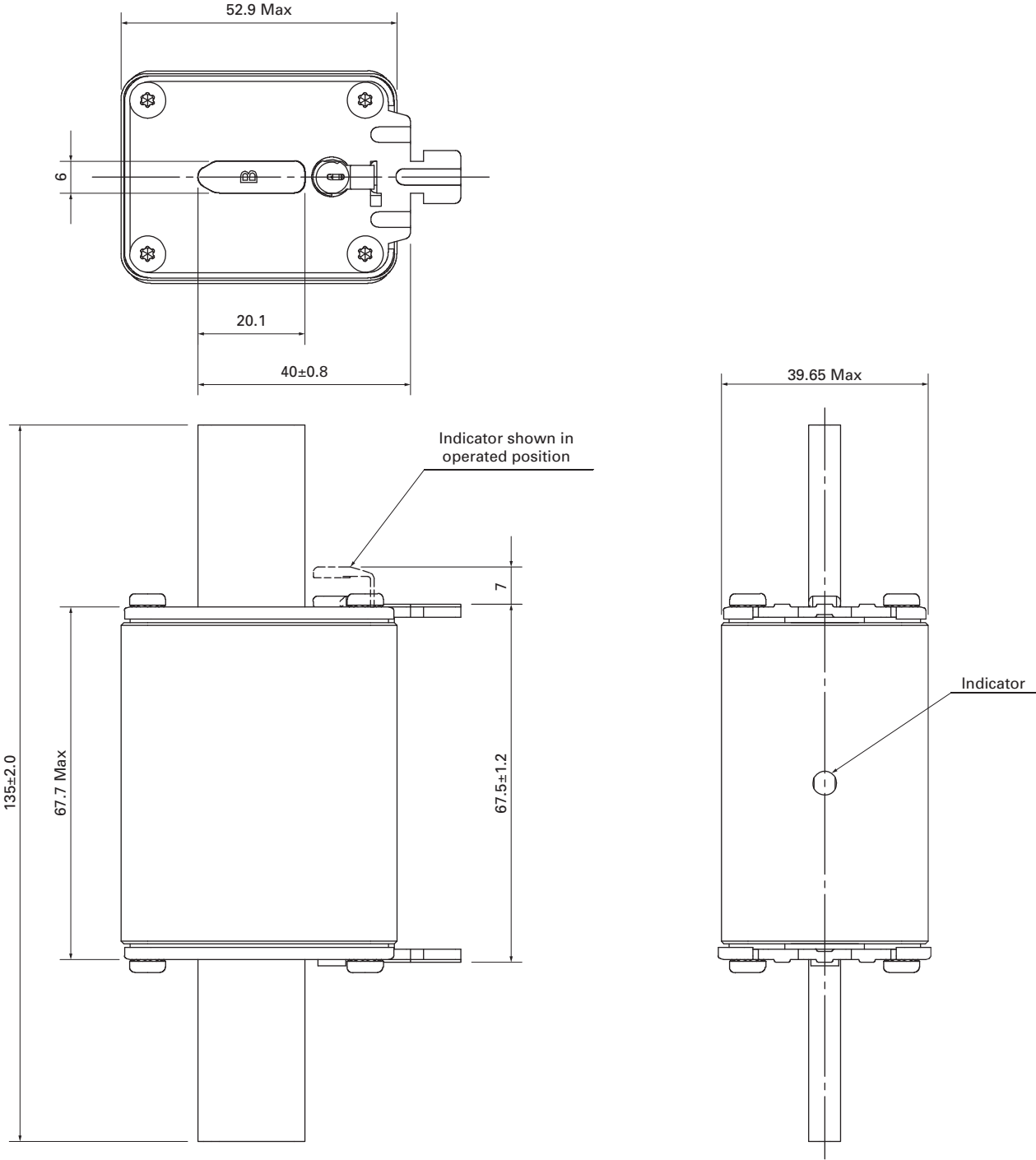
Dimensions - mm

1.1 NH Fuse links dimensions - mm



Size 01

NH Fuse links dimensions - mm



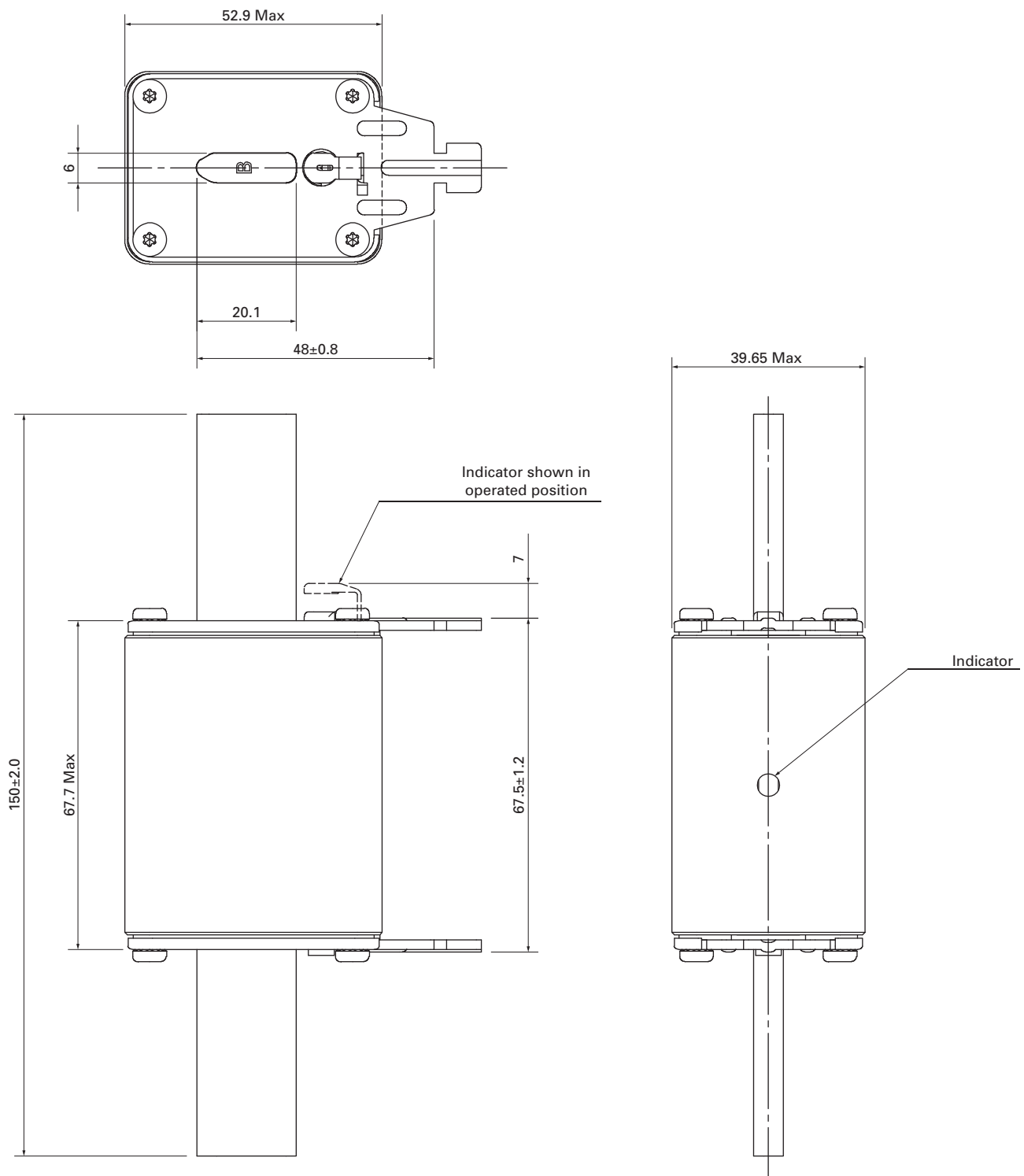
Size 1

1.1

NH Fuse links overview

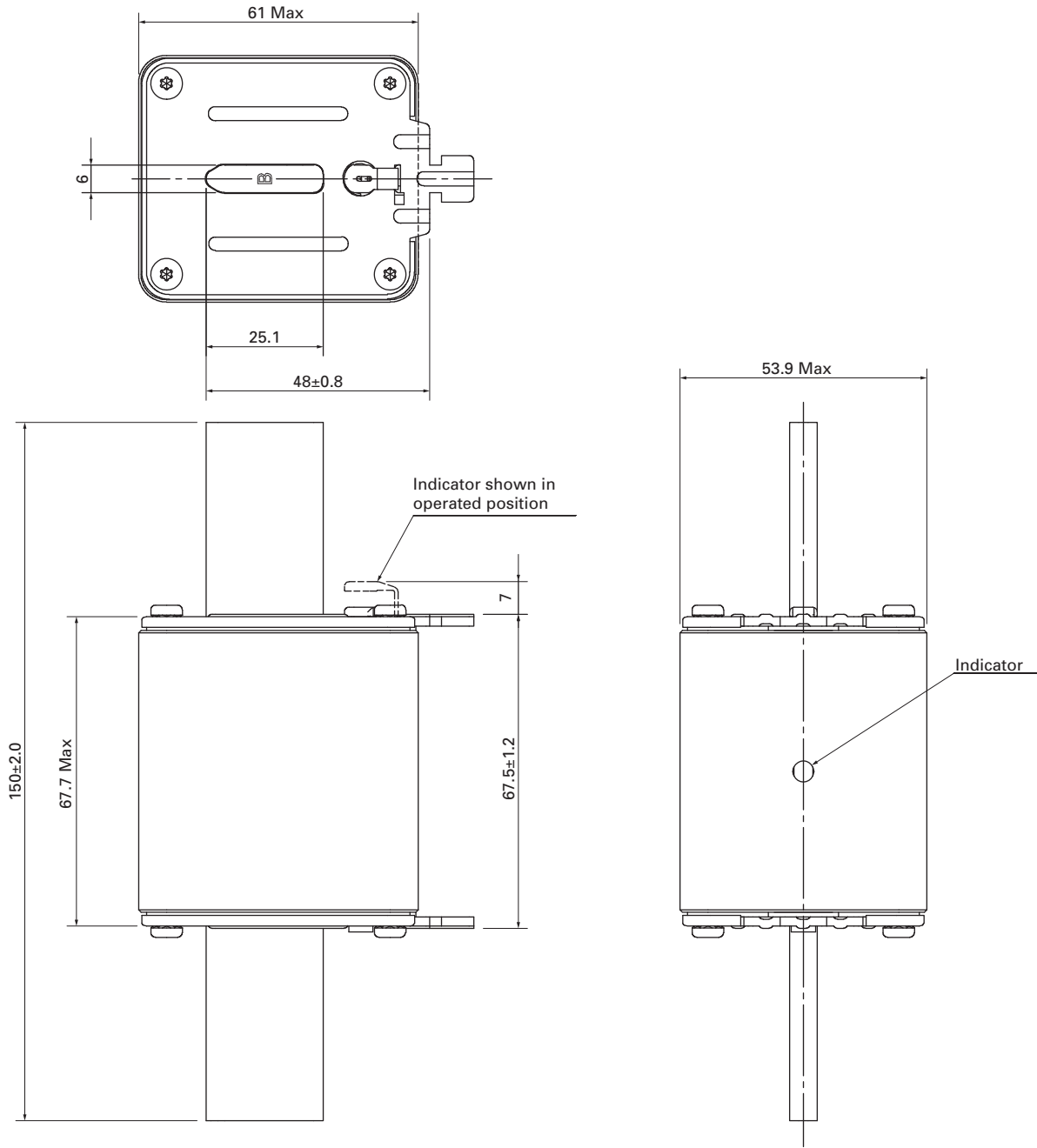
Dimensions - mm

1.1 NH Fuse links dimensions - mm



Size 02

NH Fuse links dimensions - mm



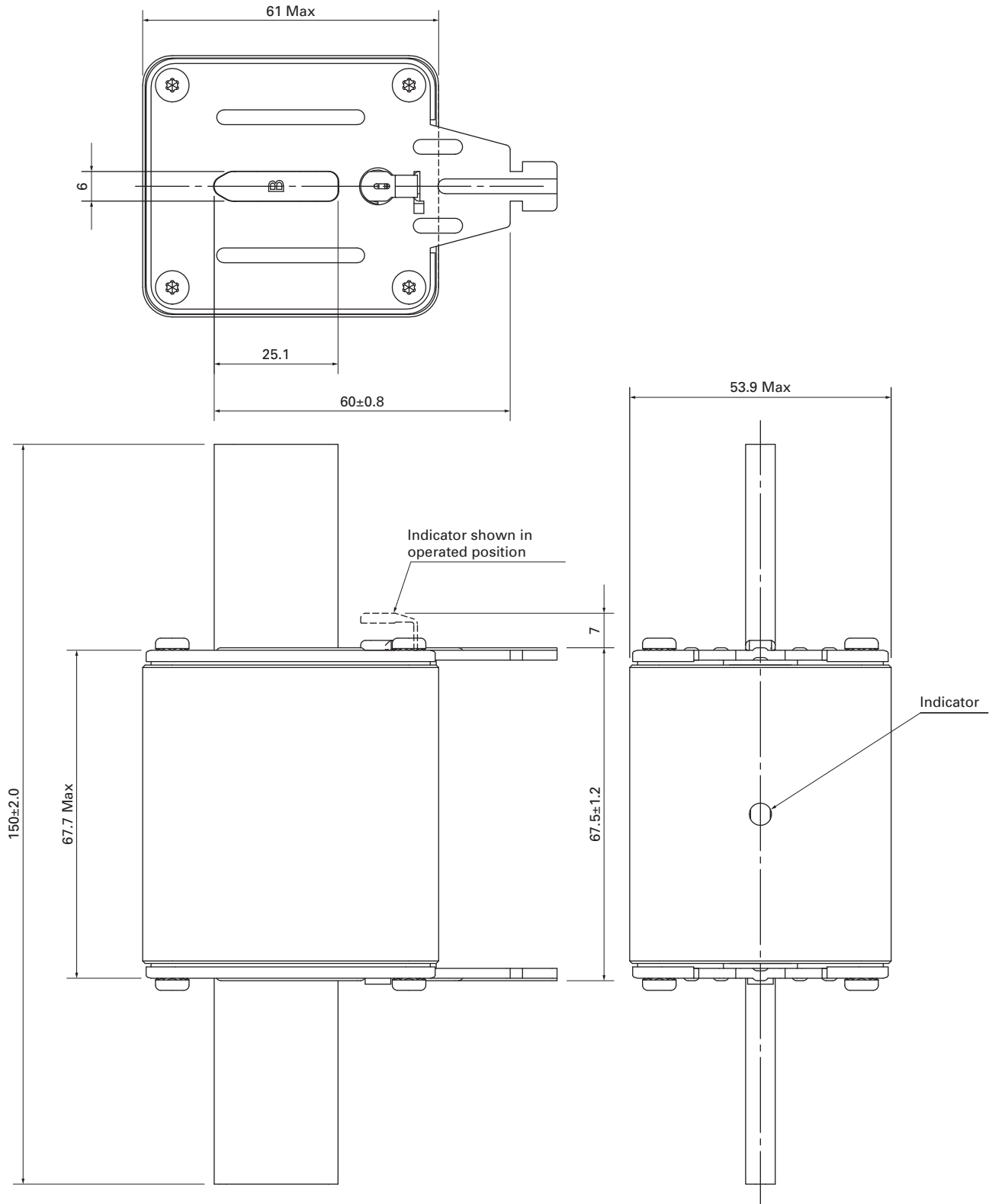
Size 2

1.1

NH Fuse links overview

Dimensions - mm

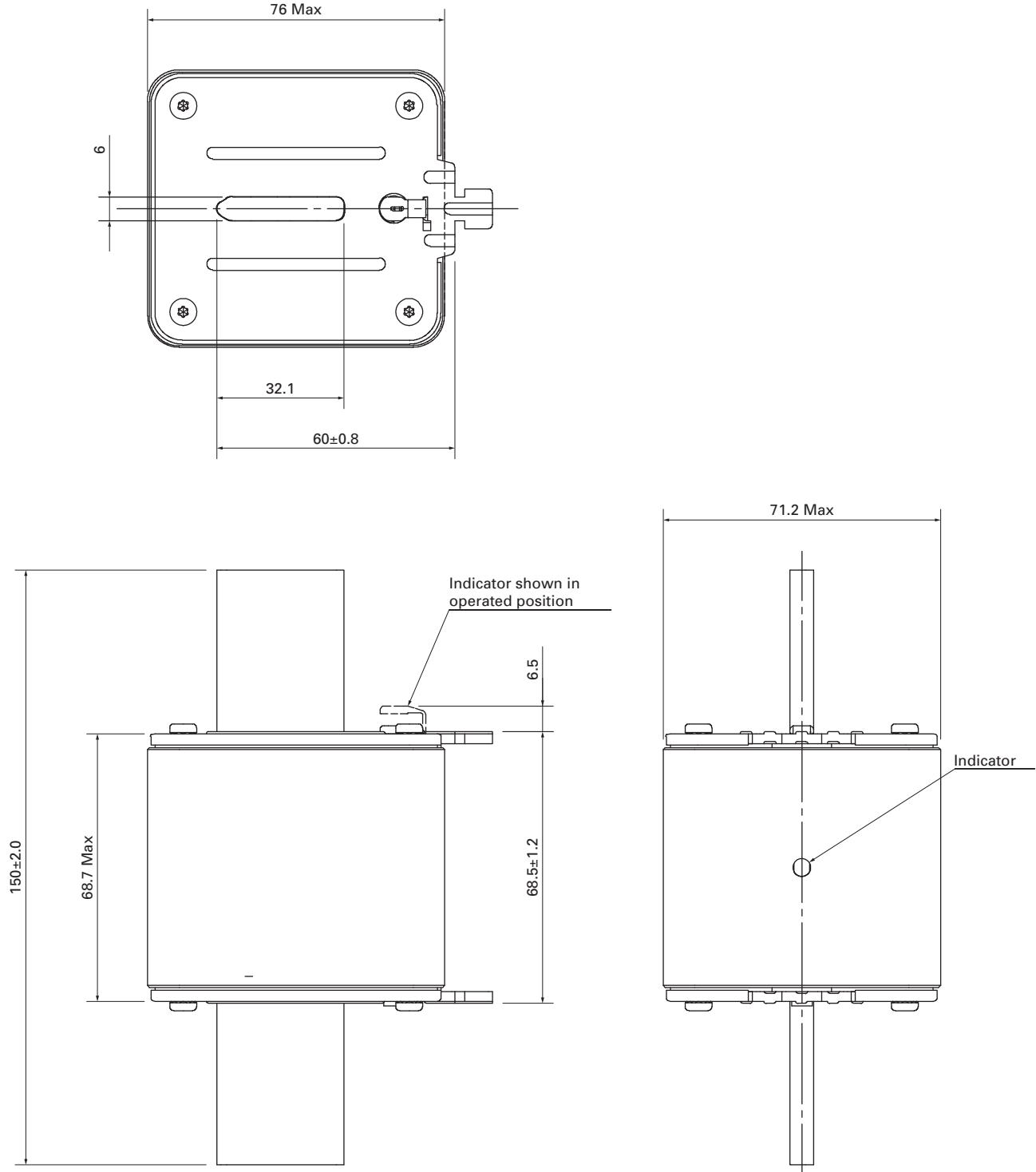
1.1 NH Fuse links dimensions - mm



Size 3

NH Fuse links dimensions - mm

1.1



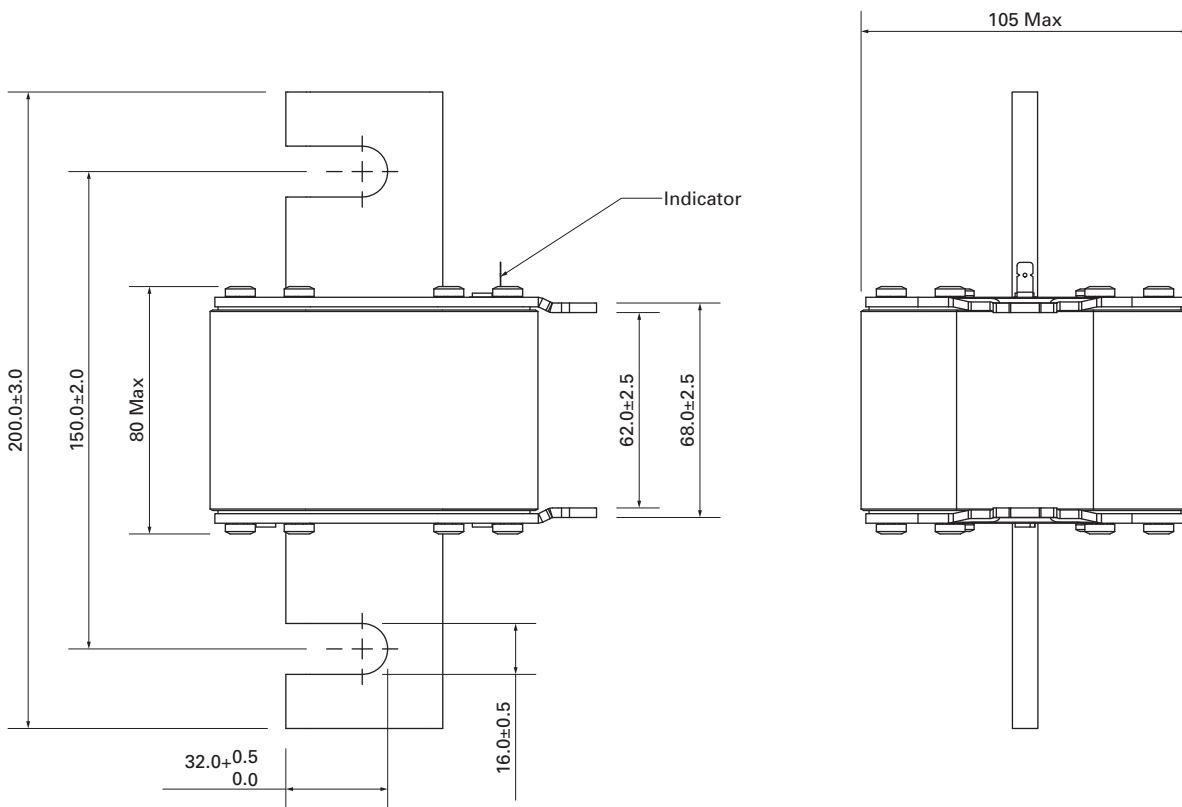
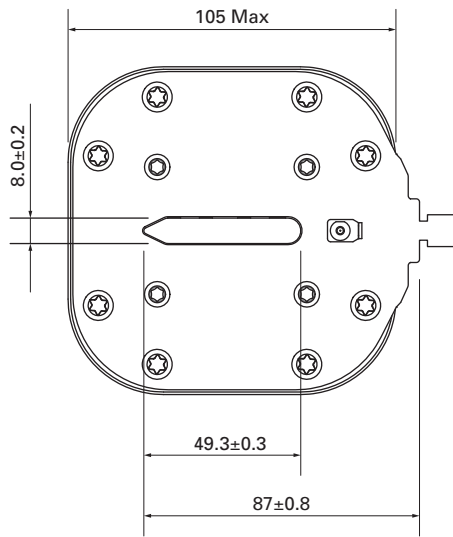
Size 3

1.1

NH Fuse links overview

Dimensions - mm

1.1 NH Fuse links dimensions - mm



Size 4 NH 690 V a.c. only.

Please contact buletechnical@eaton.com for dimensions of size 4 500 Volts

400 V a.c. - class gFF - 2 to 630 amps - sizes 000 to 3

Description

Eaton's Bussmann series NH 400 V a.c. gFF fuse links have been designed for the protection of low voltage installations where expected short circuit currents are low.

Catalogue numbers structure

(amp)NHFF(size)BI-400 e.g. 50NHFF000BI-400 with insulated metal gripping lugs

Class of operation

- gFF

Standards / approvals

- IEC 60269 part 1
- Dimensionally in accordance to IEC 60269 part 2 and DIN 43620 part 1 and 3

Technical data

- Sizes: 000, 00, 1, 02, 2 and 3
- Voltage: 400 V a.c.
- Current: 2 to 630 A
- Rated breaking capacity: 120 kA, 80 kA for NH00 80 A and 160 A
- Rated frequency: 50Hz

Optional microswitch

NH Fuse body size	Suitable microswitch
Size 000	170H0236
Size 00	170H0236
Size 1	170H0236
Size 02	BVL50
Size 2	170H0235 or 170H0236
Size 3	170H0235

Compatible fuse holders

Description	Type	Data sheet number
Fuse bases 1-pole	DIN-Rail mounting SD-D	10163
	Screw mounting SD-S	10163
Fuse bases 3-pole	DIN-Rail mounting TD-D	10163
Fuse bases accessories	IP20, Shroud and phase barriers kits	10163
Fuse rails	Vertical - EBF	10240
Fuse switch disconnectors	Vertical - EBV	10275
	Horizontal - EBH Size 000	10292
	Horizontal - EBH Size 00 to 4	10293



Environmental

- Recyclable
- RoHS compliant
- Lead and cadmium free.

Packaging

- All fuse links are packed in threes.

Features:

- Reliable dual indicator system
- Ideal for utility network protection, especially in large rural areas
- Low temperature rise

1.2

NH Fuse links - 400 V a.c. - class gFF

Catalogue numbers

1.2 Catalogue numbers

Size	Current (amps)	Voltage (V a.c.)	gFF Dual indicator	
			Insulated metal gripping lugs	Pack quantity
000	10	400	10NHFF000BI-400	3
	16		16NHFF000BI-400	
	25		25NHFF000BI-400	
	35		35NHFF000BI-400	
	50		50NHFF000BI-400	
00	63	400	63NHFF00BI-400	3
	80		80NHFF00BI-400	
	100		100NHFF00BI-400	
	125		125NHFF00BI-400	
	160		160NHFF00BI-400	
1	35	400	35NHFF1BI-400	3
	50		50NHFF1BI-400	
	63		63NHFF1BI-400	
	80		80NHFF1BI-400	
	100		100NHFF1BI-400	
	125		125NHFF1BI-400	
	160		160NHFF1BI-400	
	200		200NHFF1BI-400	
	224		224NHFF1BI-400	
250	250NHFF1BI-400			
02	160	400	160NHFF02BI-400	3
	200		200NHFF02BI-400	
	250		250NHFF02BI-400	
2	315	400	315NHFF2BI-400	3
	355		355NHFF2BI-400	
	400		400NHFF2BI-400	
3	450	400	450NHFF3BI-400	3
	500		500NHFF3BI-400	
	630		630NHFF3BI-400	



NH Fuse links - 400 V a.c. - class gFF

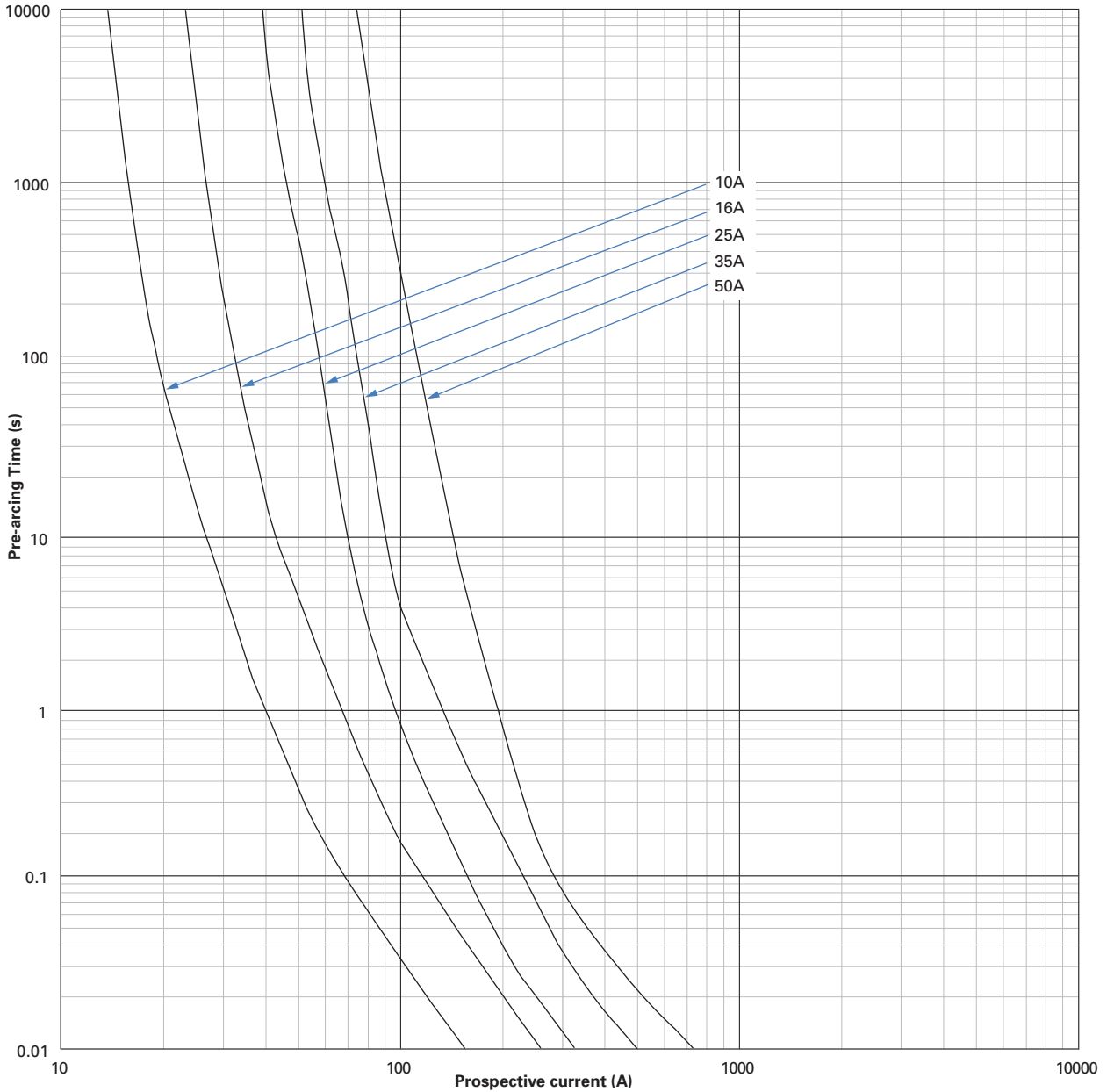
1.2

Time-current characteristics and technical data

400 V a.c. - class gFF - 10 to 50 amps - size 000

1.2

Time-current characteristics



Technical data

Catalogue numbers with insulated metal gripping lugs	Fuse link size	Current (amps)	Voltage (V a.c.)	I ² t (Amps ² seconds)		Watts loss (W)	Net weight per fuse (kg)
				Minimum Pre-arcing	*I ₁ , 120 kA at 400 V a.c.		
10NHFF000BI-400	000	10	400	44	180	1.7	0.113
16NHFF000BI-400		16		160	600	2.3	
25NHFF000BI-400		25		1000	3200	2.3	
35NHFF000BI-400		35		2700	8300	2.7	
50NHFF000BI-400		50		3100	8800	5.4	

* I₁ is the maximum breaking capacity test at voltage according to IEC 60269-1 and 2 requirements

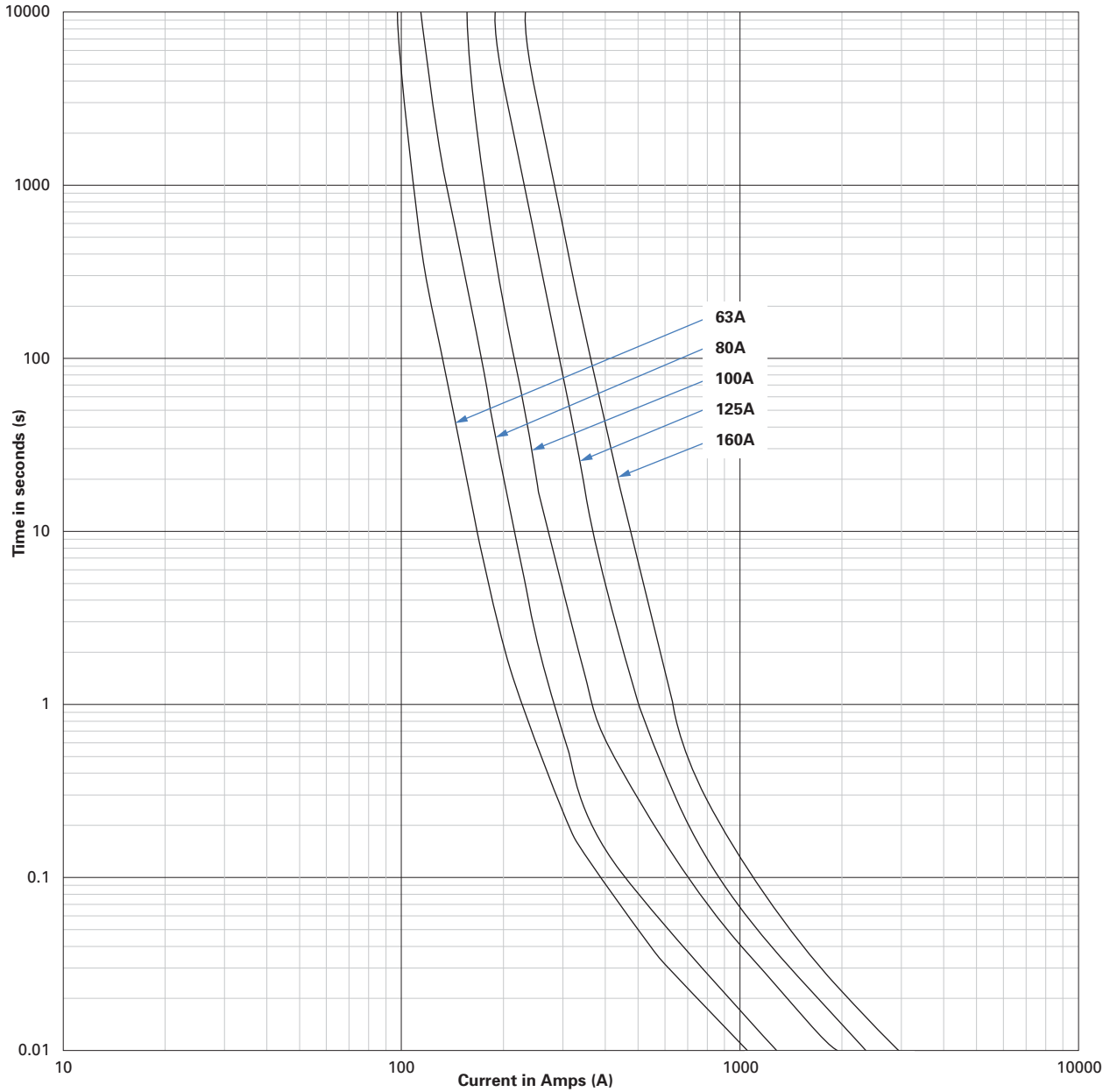
1.2

NH Fuse links - 400 V a.c. - class gFF

Time-current characteristics and technical data

1.2 400 V a.c. - class gFF - 63 to 160 amps - size 00

Time-current characteristics



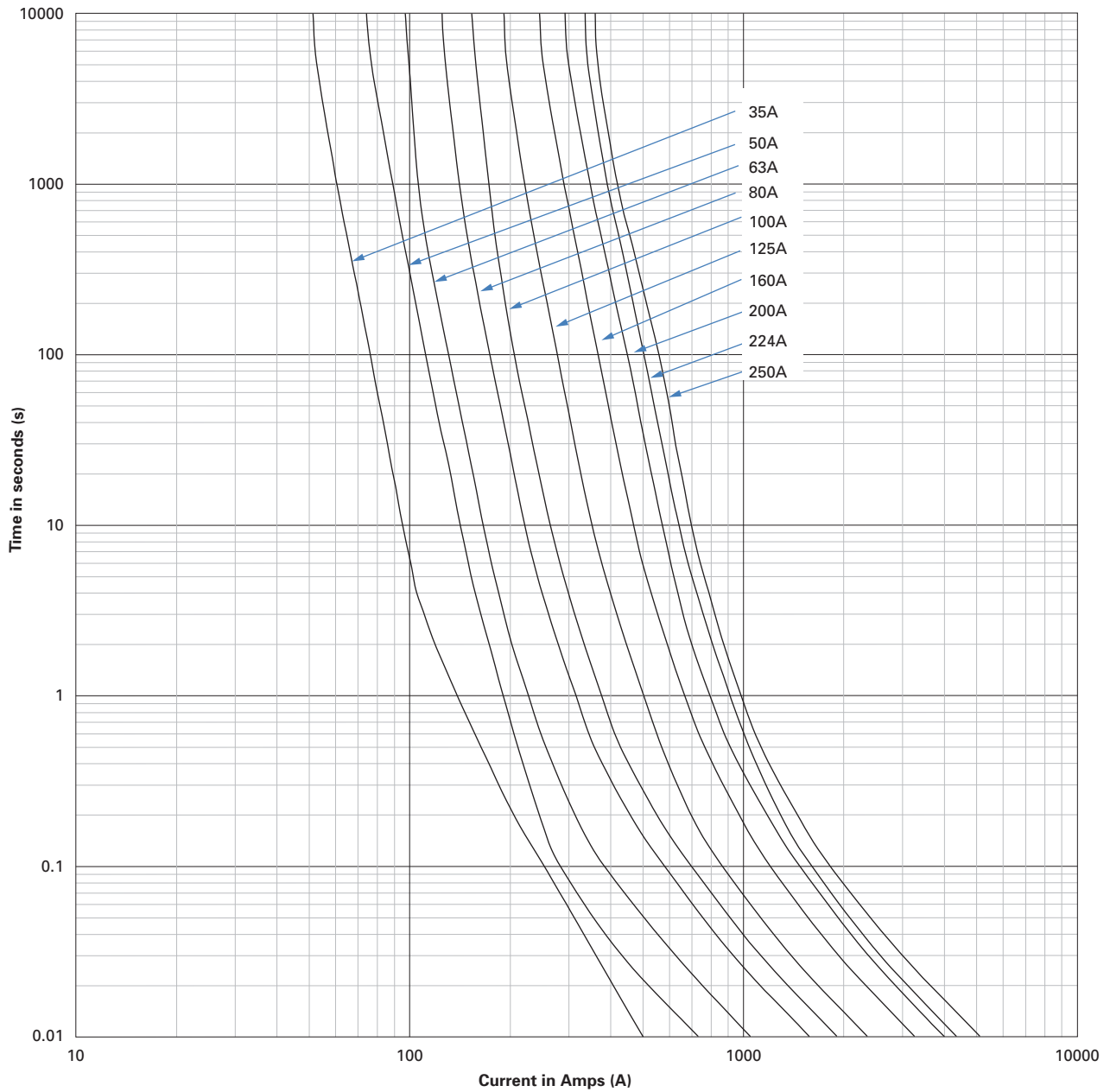
Technical data

Catalogue numbers with insulated metal gripping lugs	Fuse link size	Current (amps)	Voltage (V a.c.)	I ² t (Amps ² seconds)		Watts loss (W)	Net weight per fuse (kg)
				Minimum Pre-arcing	*I ₁ 120 kA at 400 V a.c.		
63NHFF00BI-400	00	63	400	6400	18,700	6.5	0.165
80NHFF00BI-400		80		12,300	32,000	8	
100NHFF00BI-400		100		24,600	59,000	9	
125NHFF00BI-400		125		41,800	98,600	11	
160NHFF00BI-400		160		46,700	133,000	13	

* I₁ is the maximum breaking capacity test at voltage according to IEC 60269-1 and 2 requirements

400 V a.c. - class gFF - 35 to 250 amps - size 1

Time-current characteristics



Technical data

Catalogue numbers with insulated metal gripping lugs	Fuse link size	Current (amps)	Voltage (V a.c.)	I ² t (Amps ² seconds)		Watts loss (W)	Net weight per fuse (kg)
				Minimum Pre-arcing	*I ₁ 120 kA at 400 V a.c.		
35NHFF1BI-400	1	35	400	1600	4400	5.5	0.348
50NHFF1BI-400		50		3200	9900	6	
63NHFF1BI-400		63		6400	18,700	7.1	
80NHFF1BI-400		80		14,600	39,400	7.4	
100NHFF1BI-400		100		23,700	72,300	11	
125NHFF1BI-400		125		35,100	92,400	11.5	
160NHFF1BI-400		160		75,600	187,000	14	
200NHFF1BI-400		200		109,000	260,000	18	
224NHFF1BI-400		224		130,000	310,000	22	
250NHFF1BI-400		250		186,000	425,000	24	

* I₁ is the maximum breaking capacity test at voltage according to IEC 60269-1 and 2 requirements
 Data sheet 10623

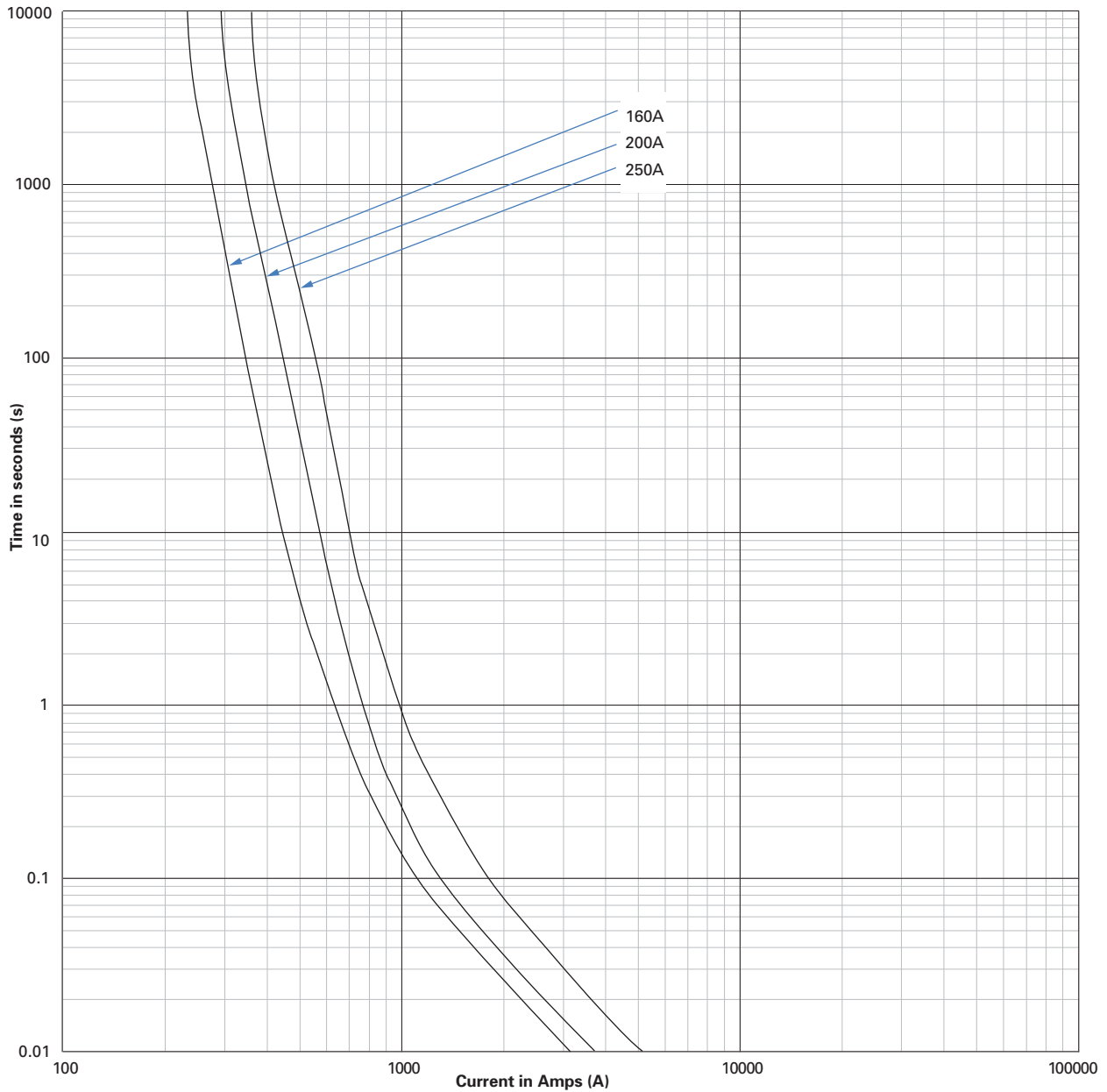
1.2

NH Fuse links - 400 V a.c. - class gFF

Time-current characteristics and technical data

1.2 400 V a.c. - class gFF - 160 to 250 amps - size 02

Time-current characteristics



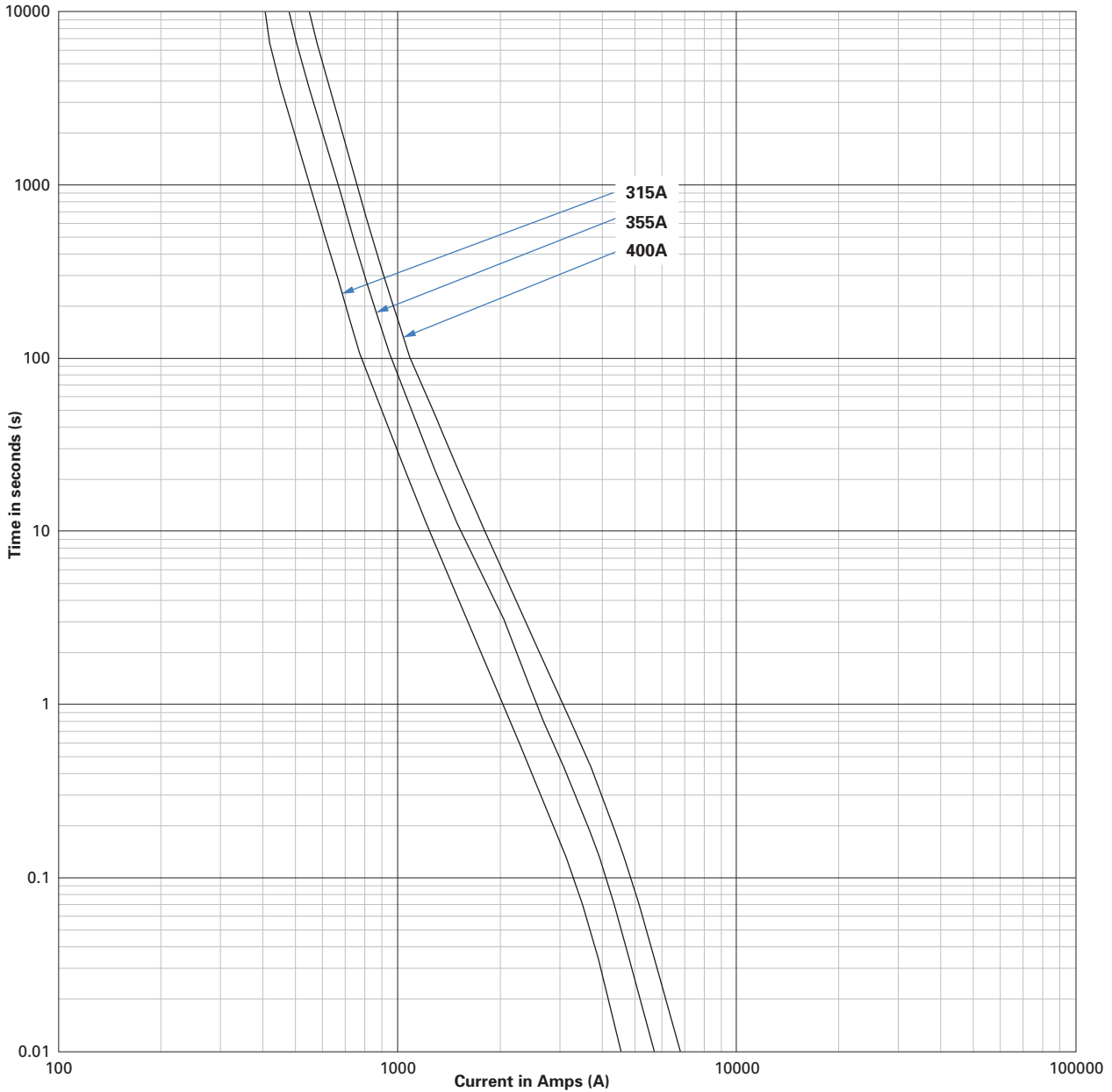
Technical data

Catalogue numbers with insulated metal gripping lugs	Fuse link size	Current (amps)	Voltage (V a.c.)	I ² t (Amps ² seconds)		Watts loss (W)	Net weight per fuse (kg)
				Minimum Pre-arcing	*I _b , 120 kA at 400 V a.c.		
160NHFF02BI-400	02	160	400	67,400	168,000	15	0.453
200NHFF02BI-400		200		90,000	214,000	21	
250NHFF02BI-400		250		186,000	425,000	24	

* I_b is the maximum breaking capacity test at voltage according to IEC 60269-1 and 2 requirements

400 V a.c. - class gFF - 315 to 400 amps - size 2

Time-current characteristics



Technical data

Catalogue numbers with insulated metal gripping lugs	Fuse link size	Current (amps)	Voltage (V a.c.)	I ² t (Amps ² seconds)		Watts loss (W)	Net weight per fuse (kg)
				Minimum Pre-arcing	*I ₁ 120 kA at 400 V a.c.		
315NHFF2BI-400	2	315	400	152,000	472,000	33	0.515
355NHFF2BI-400		355		242,000	726,000	33	
400NHFF2BI-400		400		354,000	1,070,000	34	

* I₁ is the maximum breaking capacity test at voltage according to IEC 60269-1 and 2 requirements

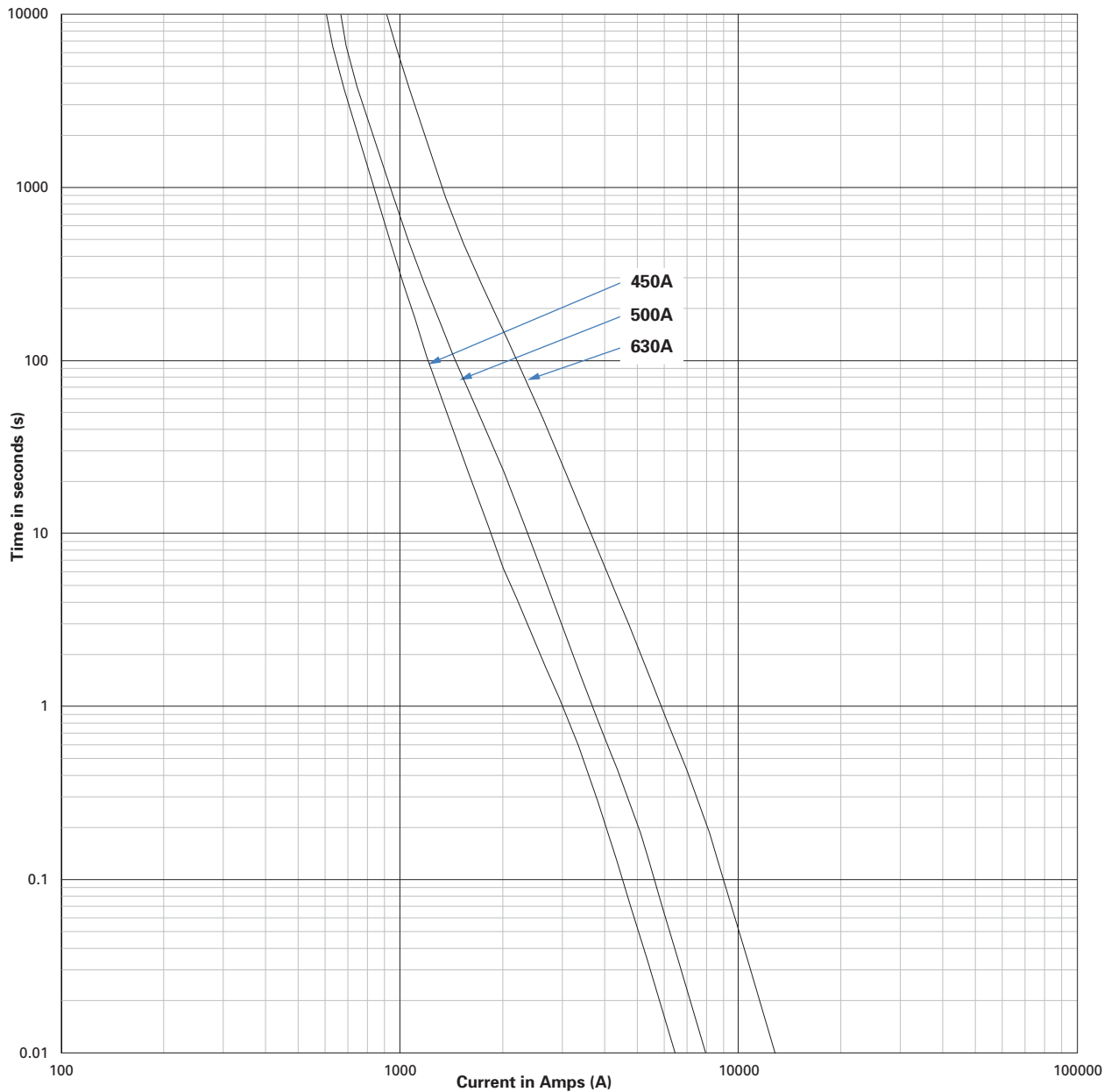
1.2

NH Fuse links - 400 V a.c. - class gFF

Time-current characteristics and technical data

1.2 400 V a.c. - class gFF - 450 to 630 amps - size 3

Time-current characteristics



Technical data

Catalogue numbers with insulated metal gripping lugs	Fuse link size	Current (amps)	Voltage (V a.c.)	I ² t (Amps ² seconds)		Watts loss (W)	Net weight per fuse (kg)
				Minimum Pre-arcing	*I _b 120 kA at 400 V a.c.		
450NHFF3BI-400	3	450	400	325,000	980,000	46	0.904
500NHFF3BI-400		500		456,000	1,370,000	47	
630NHFF3BI-400		630		1,230,000	3,700,000	48	

* I_b is the maximum breaking capacity test at voltage according to IEC 60269-1 and 2 requirements

400 V a.c. - class gG/gL - 2 to 630 amps - sizes 000 to 3

Description

A square bodied range of industrial fuse links for a wide variety of applications.

Catalogue numbers structure

- (amp)NHG(size)B-400 e.g. 100NHG02B-400 with conducting metal gripping lugs
- (amp)NHG(size)BI-400 e.g. 100NHG000BI-400 with insulated metal gripping lugs

Class of operation

- gL/gG.

Standards / approvals

- IEC 60269-1 and 2, VDE 0636, DIN 43620 and CE.

Technical data

- Sizes 000 to 3
- Voltage: 400 V a.c.
- Current: 2 to 630 A
- Rated breaking capacity: 120 kA AC
- Rated frequency: 50Hz
- Operating frequency: 45-62Hz.

Optional microswitch

NH Fuse body size	Suitable microswitch
Size 000	170H0236
Size 00	170H0236
Size 01	170H0235
Size 1	170H0236
Size 02	BVL50
Slze 2	170H0235 or 170H0236
Size 03	BVL50
Size 3	170H0235

Compatible fuse holders

Description	Type	Data sheet number
Fuse bases 1-pole	DIN-Rail mounting SD-D	10163
	Screw mounting SD-S	10163
Fuse bases 3-pole	DIN-Rail mounting TD-D	10163
Fuse bases accessories	IP20, Shroud and phase barriers kits	10163
Fuse rails	Vertical - EBF	10240
Fuse switch disconnectors	Vertical - EBV	10275
	Horizontal - EBH Size 000	10292
	Horizontal - EBH Size 00 to 4	10293



Environmental

- Recyclable
- RoHS compliant
- Lead and cadmium free.

Packaging

- All fuse links are packed in threes.

Features:

- Reliable dual indicator system
- Low temperature rise
- Globally compliant.

1.3

NH Fuse links - 400 V a.c. - class gG/gL

Catalogue numbers

1.3 Catalogue numbers

Size	Current (amps)	Voltage (V a.c.)	gG/gL dual indicator		Pack quantity
			Voltage conducting metal gripping lugs	Insulated metal gripping lugs	
000	2	400	2NHG000B-400	2NHG000BI-400	3
	4		4NHG000B-400	4NHG000BI-400	
	6		6NHG000B-400	6NHG000BI-400	
	10		10NHG000B-400	10NHG000BI-400	
	16		16NHG000B-400	16NHG000BI-400	
	20		20NHG000B-400	20NHG000BI-400	
	25		25NHG000B-400	25NHG000BI-400	
	32		32NHG000B-400	32NHG000BI-400	
	35		35NHG000B-400	35NHG000BI-400	
	40		40NHG000B-400	40NHG000BI-400	
	50		50NHG000B-400	50NHG000BI-400	
00	125	400	125NHG00B-400	125NHG00BI-400	3
	160		160NHG00B-400	160NHG00BI-400	
	160		160NHG00B-400	160NHG00BI-400	
01	35	400	35NHG01B-400	35NHG01BI-400	3
	40		40NHG01B-400	40NHG01BI-400	
	50		50NHG01B-400	50NHG01BI-400	
	63		63NHG01B-400	63NHG01BI-400	
	80		80NHG01B-400	80NHG01BI-400	
	100		100NHG01B-400	100NHG01BI-400	
	125		125NHG01B-400	125NHG01BI-400	
1	200	400	200NHG1B-400	200NHG1BI-400	3
	224		224NHG1B-400	224NHG1BI-400	
	250		250NHG1B-400	250NHG1BI-400	
02	35	400	35NHG02B-400	35NHG02BI-400	3
	40		40NHG02B-400	40NHG02BI-400	
	50		50NHG02B-400	50NHG02BI-400	
	63		63NHG02B-400	63NHG02BI-400	
	80		80NHG02B-400	80NHG02BI-400	
	100		100NHG02B-400	100NHG02BI-400	
	125		125NHG02B-400	125NHG02BI-400	
	160		160NHG02B-400	160NHG02BI-400	
	200		200NHG02B-400	200NHG02BI-400	
2	315	400	315NHG2B-400	315NHG2BI-400	3
	355		355NHG2B-400	355NHG2BI-400	
	400		400NHG2B-400	400NHG2BI-400	
	630		630NHG2B-400	-	
	630		630NHG2B-400	-	
03	250	400	250NHG03B-400	250NHG03BI-400	3
	315		315NHG03B-400	315NHG03BI-400	
	355		355NHG03B-400	355NHG03BI-400	
	400		400NHG03B-400	400NHG03BI-400	
3	500	400	500NHG3B-400	500NHG3BI-400	3
	630		630NHG3B-400	630NHG3BI-400	



NH Fuse links - 400 V a.c. - class gG/gL

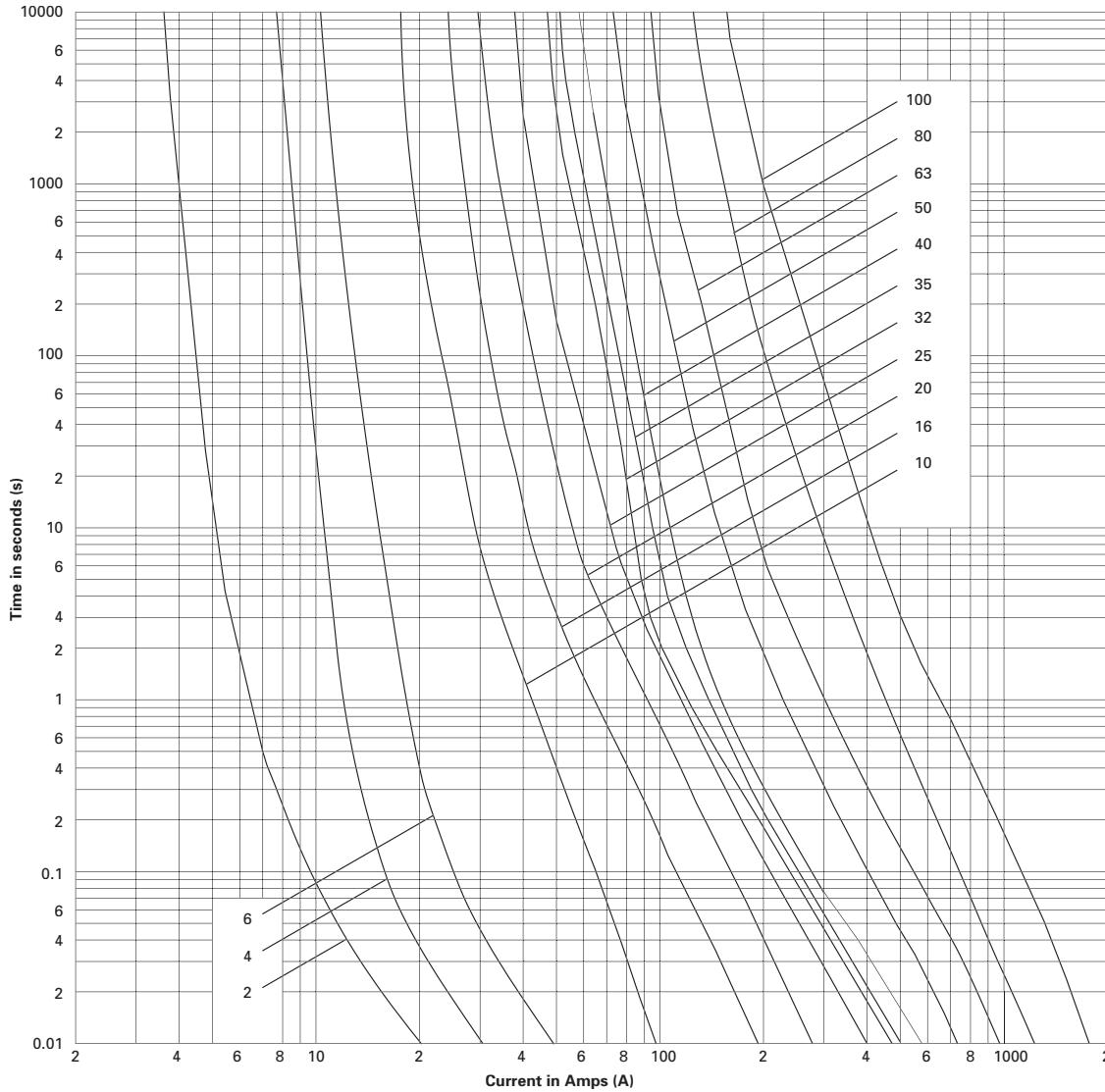
1.3

Time-current characteristics and technical data

400 V a.c. - class gG/gL - 2 to 100 amps - size 000

1.3

Time-current characteristics



Technical data

Catalogue numbers with metal gripping lugs	Catalogue numbers with insulated metal gripping lugs	Fuse link size	Current (amps)	Voltage (V a.c.)	I ² t (Amps ² seconds)			Net weight per fuse (kg)
					Minimum Pre-arcing	*I ₁ , 120 kA at 400 V a.c.	Watts loss (W)	
2NHG000B-400	2NHG000BI-400	000	2	400	3.5	5.5	0.8	0.133
4NHG000B-400	4NHG000BI-400		4		6	10.5	1.4	
6NHG000B-400	6NHG000BI-400		6		14	19	2.2	
10NHG000B-400	10NHG000BI-400		10		60	175	1.5	
16NHG000B-400	16NHG000BI-400		16		240	710	2.3	
20NHG000B-400	20NHG000BI-400		20		584	1800	2.2	
25NHG000B-400	25NHG000BI-400		25		1000	2800	3.1	
32NHG000B-400	32NHG000BI-400		32		2400	9600	2.8	
35NHG000B-400	35NHG000BI-400		35		2900	11,300	2.8	
40NHG000B-400	40NHG000BI-400		40		4000	16,400	3	
50NHG000B-400	50NHG000BI-400		50		4000	12,000	3.4	
63NHG000B-400	63NHG000BI-400		63		6000	20,400	4.5	
80NHG000B-400	80NHG000BI-400		80		9900	35,700	4.7	
100NHG000B-400	100NHG000BI-400		100		18,100	39,800	5.2	

* I₁ is the maximum breaking capacity test at voltage according to IEC 60269-1 and 2 requirements

1.3

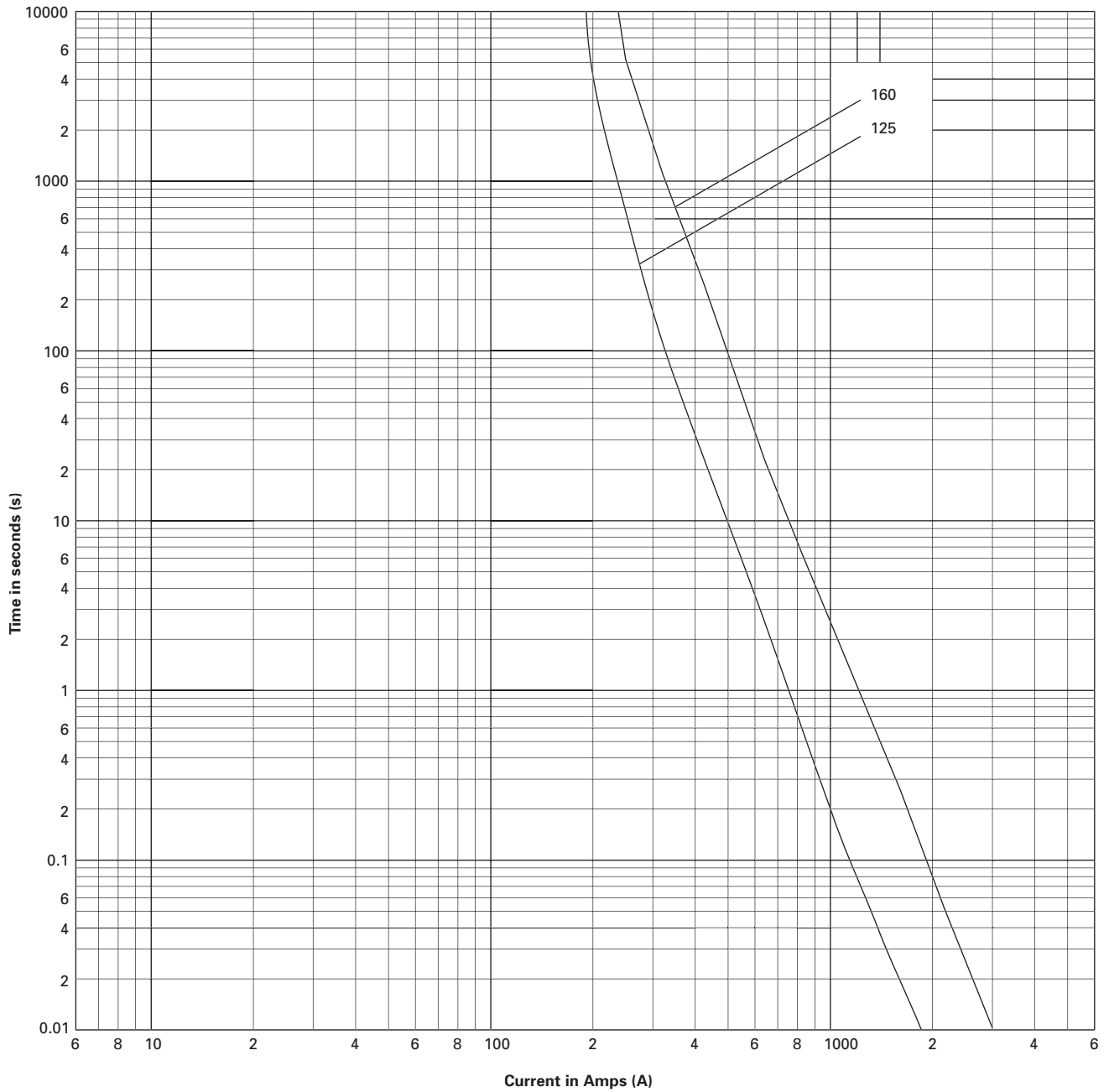
NH Fuse links - 400 V a.c. - class gG/gL

Time-current characteristics and technical data

1.3

400 V a.c. - class gG/gL - 125 and 160 amps - size 00

Time-current characteristics



Technical data

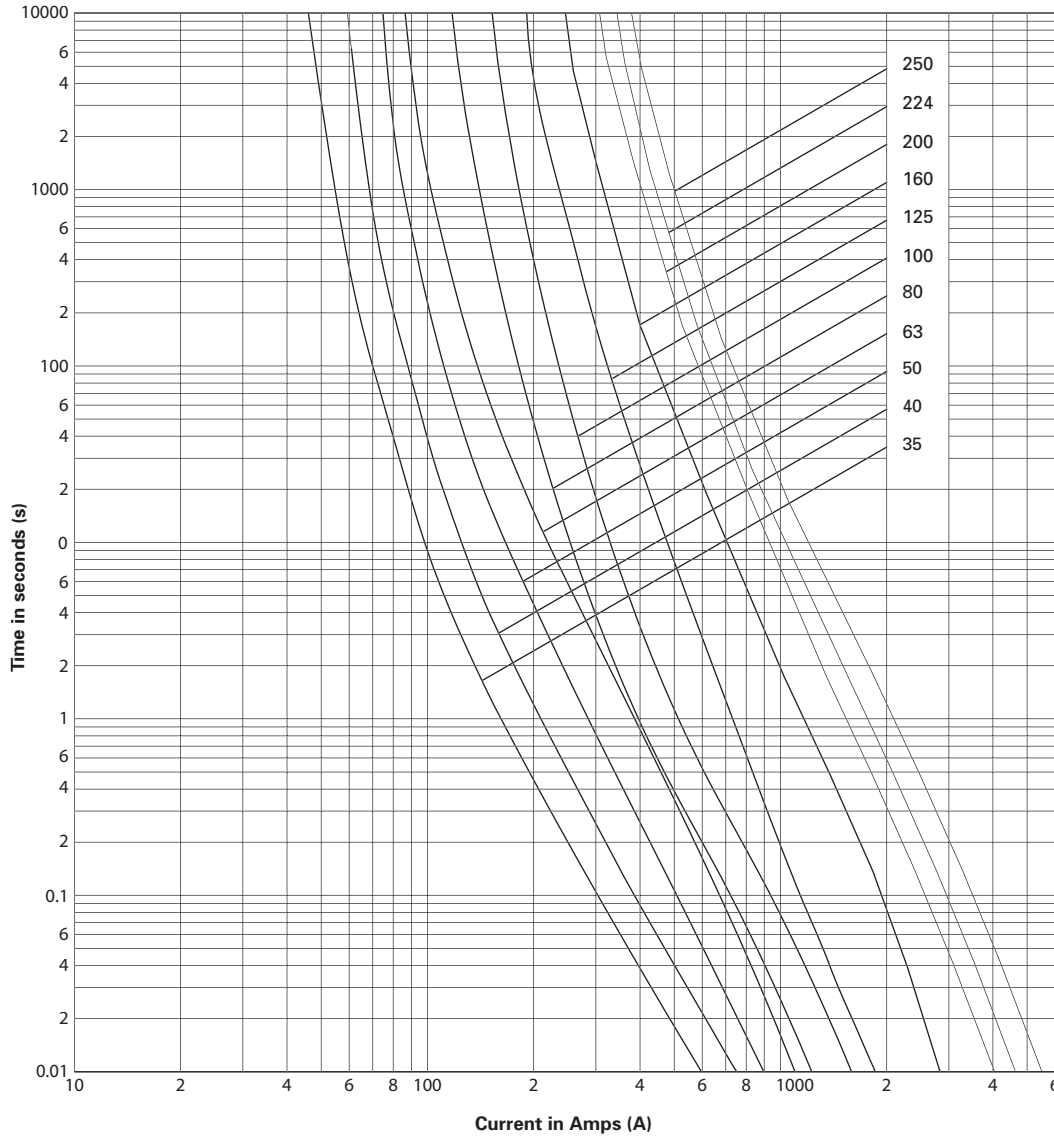
Catalogue numbers with metal gripping lugs	Catalogue numbers with insulated metal gripping lugs	Fuse link size	Current (amps)	Voltage (V a.c.)	I ² t (Amps ² seconds)			Net weight per fuse (kg)
					Minimum Pre-arcing	*I ₁ , 120 kA at 400 V a.c.	Watts loss (W)	
125NHG00B-400	125NHG00BI-400	00	125	400	25,000	80,000	8	0.185
160NHG00B-400	160NHG00BI-400		160		60,000	126,000	7.8	

* I₁ is the maximum breaking capacity test at voltage according to IEC 60269-1 and 2 requirements

400 V a.c. - class gG/gL - 35 to 250 amps - sizes 01 & 1

1.3

Time-current characteristics



Technical data

Catalogue numbers with metal gripping lugs	Catalogue numbers with insulated metal gripping lugs	Fuse link size	Current (amps)	Voltage (V a.c.)	I ² t (Amps ² seconds)		Watts loss (W)	Net weight per fuse (kg)
					Minimum Pre-arcing	*I ₁ 120 kA at 400 V a.c.		
35NHG01B-400	35NHG01BI-400	01	35	400	2400	7600	4.9	0.269
40NHG01B-400	40NHG01BI-400		40		3300	10,600	5	
50NHG01B-400	50NHG01BI-400		50		4200	10,400	4.7	
63NHG01B-400	63NHG01BI-400		63		6600	16,300	5.6	
80NHG01B-400	80NHG01BI-400		80		9600	33,600	5.6	
100NHG01B-400	100NHG01BI-400		100		16,000	56,000	6.8	
125NHG01B-400	125NHG01BI-400		125		24,000	86,400	8.8	
160NHG01B-400	160NHG01BI-400		160		53,000	111,300	8.9	
200NHG1B-400	200NHG1BI-400	1	200	400	89,000	232,000	12	0.387
224NHG1B-400	224NHG1BI-400		224		119,000	322,000	12	
250NHG1B-400	250NHG1BI-400		250		171,000	479,000	14	

* I₁ is the maximum breaking capacity test at voltage according to IEC 60269-1 and 2 requirements

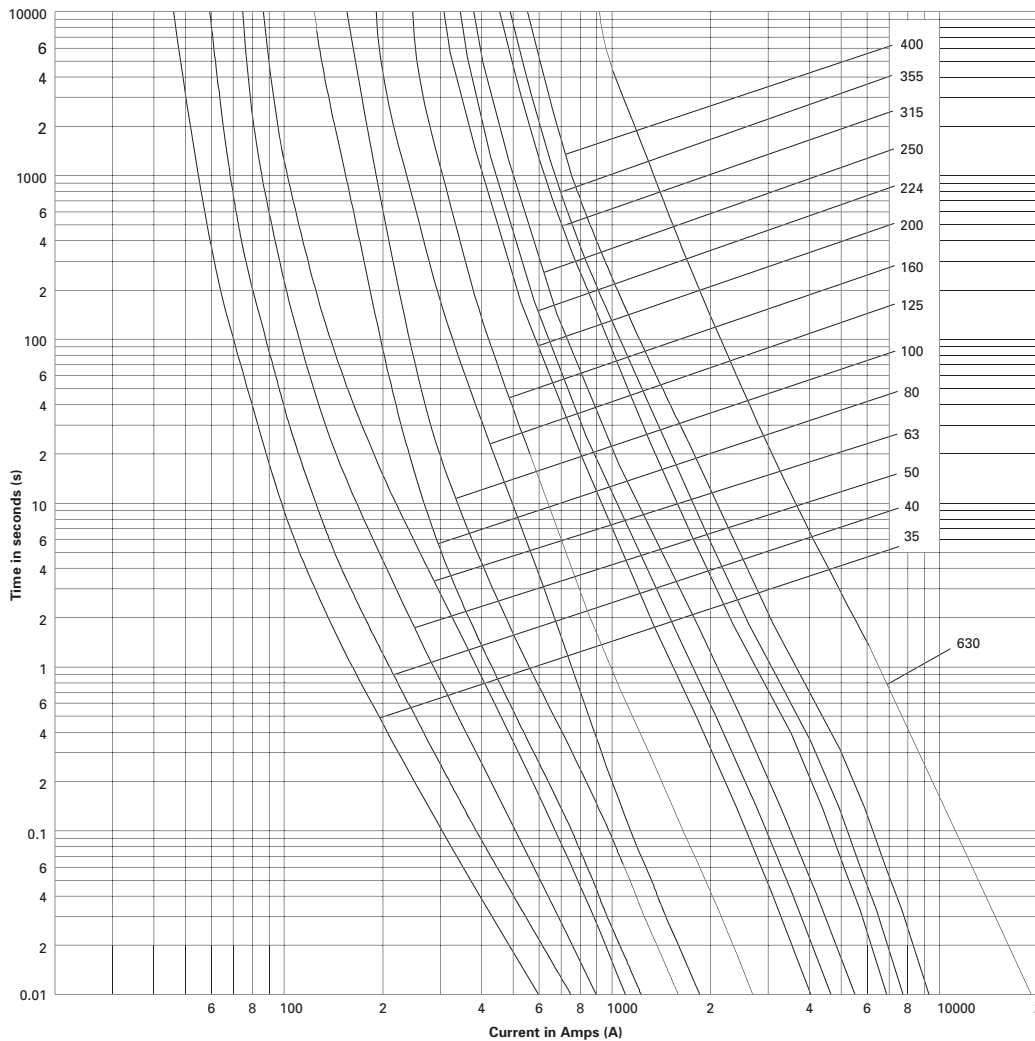
1.3

NH Fuse links - 400 V a.c. - class gG/gL

Time-current characteristics and technical data

1.3 400 V a.c. - class gG/gL - 35 to 630 amps - sizes 02 & 2

Time-current characteristics



Technical data

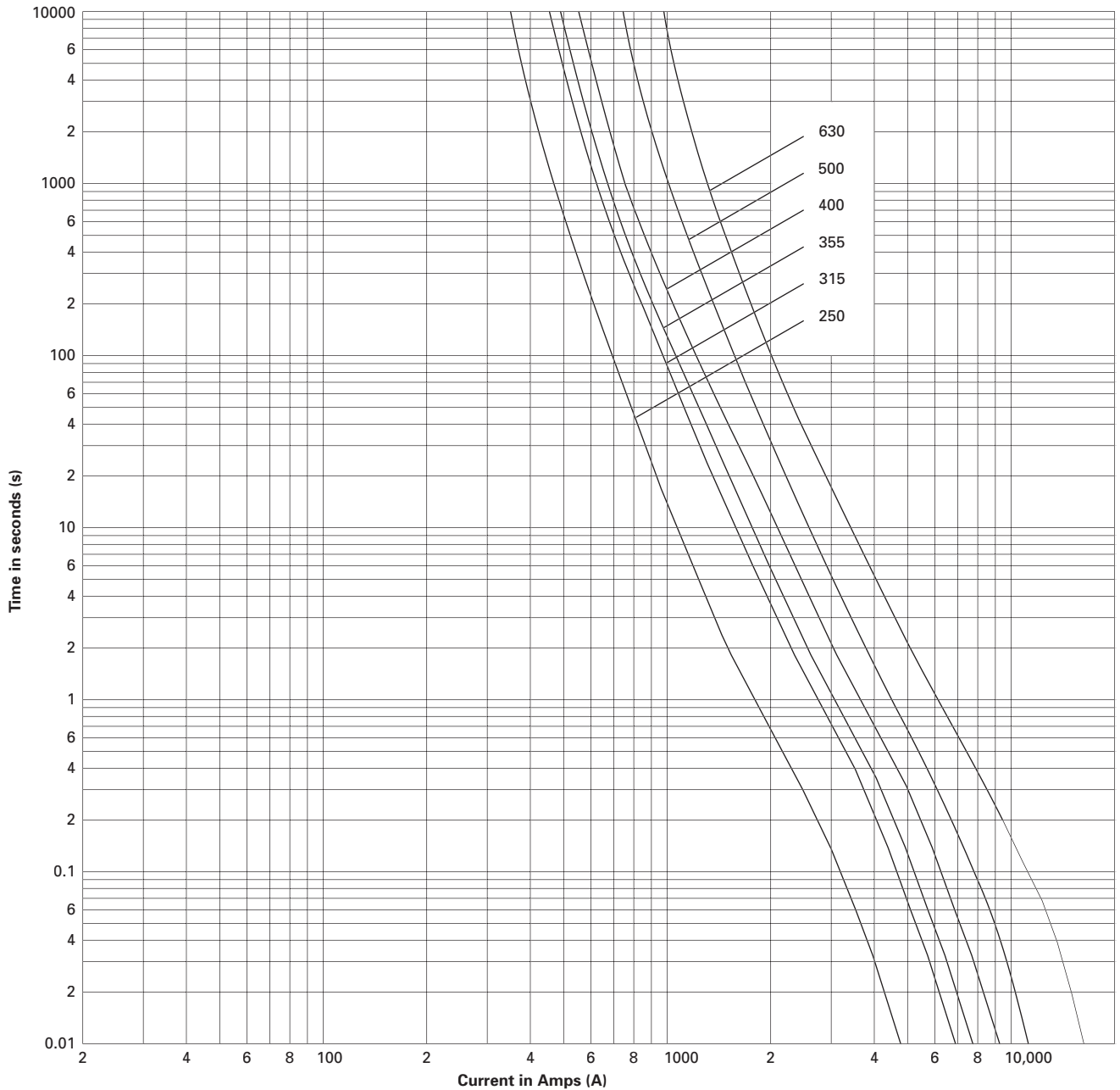
Catalogue numbers with metal gripping lugs	Catalogue numbers with insulated metal gripping lugs	Fuse link size	Current (amps)	Voltage (V a.c.)	I ² t (Amps ² seconds)		Watts loss (W)	Net weight per fuse (kg)
					Minimum Pre-arcing	*I ₁ 120 kA at 400 V a.c.		
35NHG02B-400	35NHG02BI-400	02	35	400	2400	7600	4.4	0.402
40NHG02B-400	40NHG02BI-400		40		3300	10,600	5	
50NHG02B-400	50NHG02BI-400		50		4200	10,400	6.5	
63NHG02B-400	63NHG02BI-400		63		6600	16,300	5.5	
80NHG02B-400	80NHG02BI-400		80		10,000	34,800	5.5	
100NHG02B-400	100NHG02BI-400		100		16,000	56,000	6.6	
125NHG02B-400	125NHG02BI-400		125		24,000	86,400	8.7	
160NHG02B-400	160NHG02BI-400		160		50,000	185,000	10	
200NHG02B-400	200NHG02BI-400		200		89,000	232,000	12	
224NHG02B-400	224NHG02BI-400		224		119,000	322,000	12	
250NHG02B-400	250NHG02BI-400		250		171,000	479,000	14	
315NHG2B-400	315NHG2BI-400	2	315	400	280,000	924,000	19	0.630
355NHG2B-400	355NHG2BI-400		355		350,000	1,155,000	22	
400NHG2B-400	400NHG2BI-400		400		504,000	1,673,000	24	
630NHG2B-400	-		630		2,100,000	5,775,000	44	

* I₁ is the maximum breaking capacity test at voltage according to IEC 60269-1 and 2 requirements

400 V a.c. - class gG/gL - 250 to 630 amps - sizes 03 & 3

1.3

Time-current characteristics



Technical data

Catalogue numbers with metal gripping lugs	Catalogue numbers with insulated metal gripping lugs	Fuse link size	Current (amps)	Voltage (V a.c.)	I ² t (Amps ² seconds)			Net weight per fuse (kg)
					Minimum Pre-arcing	*I ₁ , 120 kA at 400 V a.c.	Watts loss (W)	
250NHG03B-400	250NHG03BI-400	03	250	400	115,000	379,500	18	0.634
315NHG03B-400	315NHG03BI-400		315		280,000	924,000	19	
355NHG03B-400	355NHG03BI-400		355		350,000	1,155,000	22	
400NHG03B-400	400NHG03BI-400		400		504,000	1,663,000	24	
500NHG3B-400	500NHG3BI-400	3	500	400	686,000	2,605,000	30	1.043
630NHG3B-400	630NHG3BI-400		630		1,590,000	6,201,000	36	

* I₁ is the maximum breaking capacity test at voltage according to IEC 60269-1 and 2 requirements

1.4

NH Fuse links - 500 V a.c. - class gG/gL

Overview

1.4

500 V a.c. - class gG/gL - 2 to 1250 amps - sizes 000 to 4

Description

A square bodied range of industrial fuse links for a wide variety of applications.

Catalogue numbers structure

- (amp)NHG(size)B e.g. 100NHG01B.

Class of operation

- gL/gG.

Standards / approvals

- IEC 60269-1 and 2, VDE 0636, DIN 43620 and CE.

Technical data

- Sizes 000 to 4
- Voltage: 500 V a.c.
- Current: 2 to 1250 A
- Rated breaking capacity: 120 kA AC
- Operating frequency: 45-62Hz.

Optional microswitch

NH Fuse body size	Suitable microswitch
Size 000	170H0236
Size 00	170H0236
Size 0	170H0236
Size 01	170H0235
Size 1	170H0236
Size 02	BVL50
Size 2	170H0235 or 170H0236
Size 03	BVL50
Size 3	170H0235
Size 4	Not available

Compatible fuse holders

Description	Type	Data sheet number
Fuse bases 1-pole	DIN-Rail mounting SD-D	10163
	Screw mounting SD-S	10163
Fuse bases 3-pole	DIN-Rail mounting TD-D	10163
Fuse bases accessories	IP20, Shroud and phase barriers kits	10163
Fuse rails	Vertical - EBF	10240
Fuse switch disconnectors	Vertical - EBV	10275
	Horizontal - EBH Size 000	10292
	Horizontal - EBH Size 00 to 4	10293



Environmental

- Recyclable
- RoHS compliant
- Lead and cadmium free.

Packaging

- Size 000 to 3: 3 in a pack / Size 4: 1 in a pack.

Features:

- Reliable dual indicator system (size 4 single indication only)
- Low temperature rise
- Globally compliant.

500 V a.c. - class gG/gL - 2 to 1250 amps - sizes 000 to 01

Catalogue numbers

Size	Current (amps)	Voltage (V a.c.)	gG/gL Dual indicator		Pack quantity
			Voltage conducting metal gripping lugs	Insulated metal gripping lugs	
000	2	500	2NHG000B	2NHG000BI	3
	4		4NHG000B	4NHG000BI	
	6		6NHG000B	6NHG000BI	
	10		10NHG000B	10NHG000BI	
	16		16NHG000B	16NHG000BI	
	20		20NHG000B	20NHG000BI	
	25		25NHG000B	25NHG000BI	
	32		32NHG000B	32NHG000BI	
	35		35NHG000B	35NHG000BI	
	40		40NHG000B	40NHG000BI	
	50		50NHG000B	50NHG000BI	
	63		63NHG000B	63NHG000BI	
80	80NHG000B	80NHG000BI			
100	100NHG000B	100NHG000BI			
00	50	500	50NHG00B	50NHG00BI*	3
	63		63NHG00B	63NHG00BI*	
	80		80NHG00B	80NHG00BI*	
	100		100NHG00B	100NHG00BI*	
	125		125NHG00B	125NHG00BI	
0	6	500	6NHG0B	-	3
	10		10NHG0B	-	
	16		16NHG0B	-	
	20		20NHG0B	-	
	25		25NHG0B	-	
	32		32NHG0B	-	
	35		35NHG0B	-	
	40		40NHG0B	-	
	50		50NHG0B	-	
	63		63NHG0B	-	
	80		80NHG0B	-	
	100		100NHG0B	-	
125	125NHG0B	-			
160	160NHG0B	-			
01	6	500	6NHG01B	6NHG01BI	3
	10		10NHG01B	10NHG01BI	
	16		16NHG01B	16NHG01BI	
	20		20NHG01B	20NHG01BI	
	25		25NHG01B	25NHG01BI	
	32		32NHG01B	32NHG01BI	
	35		35NHG01B	35NHG01BI	
	40		40NHG01B	40NHG01BI	
	50		50NHG01B	50NHG01BI	
	63		63NHG01B	63NHG01BI	
	80		80NHG01B	80NHG01BI	
	100		100NHG01B	100NHG01BI	
125	125NHG01B	125NHG01BI			
160	160NHG01B	160NHG01BI			



* Available upon request

1.4

NH Fuse links - 500 V a.c. - class gG/gL

Catalogue numbers

1.4

500 V a.c. - class gG/gL - 2 to 1250 amps - sizes 1 to 4

Catalogue numbers

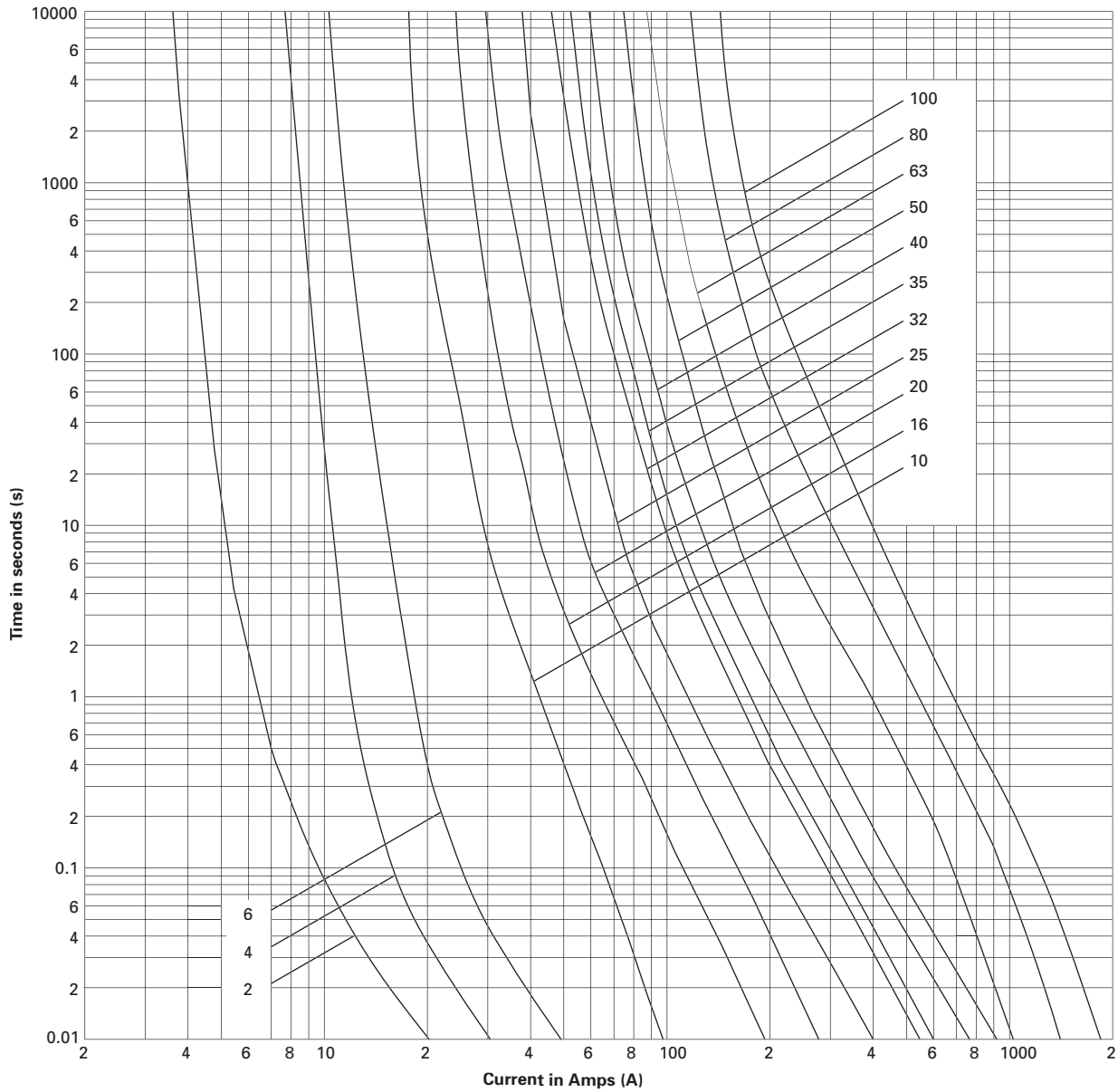
Size	Current (amps)	Voltage (V a.c.)	gG/gL Dual Indicator		Pack quantity		
			Voltage conducting metal gripping lugs	Insulated metal gripping lugs			
1	50	500	50NHG1B	50NHG1BI	3		
	63		63NHG1B	63NHG1BI			
	80		80NHG1B	80NHG1BI			
	100		100NHG1B	100NHG1BI			
	125		125NHG1B	125NHG1BI			
	160		160NHG1B	160NHG1BI			
	200		200NHG1B	200NHG1BI			
	224		224NHG1B	224NHG1BI			
	250		250NHG1B	250NHG1BI			
	315		440	315NHG1B		-	3
355	355NHG1B	-					
02	35	500	35NHG02B	35NHG02BI	3		
	40		40NHG02B	40NHG02BI			
	50		50NHG02B	50NHG02BI			
	63		63NHG02B	63NHG02BI			
	80		80NHG02B	80NHG02BI			
	100		100NHG02B	100NHG02BI			
	125		125NHG02B	125NHG02BI			
	160		160NHG02B	160NHG02BI			
	200		200NHG02B	200NHG02BI			
	224		224NHG02B	224NHG02BI			
250	250NHG02B	250NHG02BI					
2	250	500	250NHG2B	250NHG2BI	3		
	300		300NHG2B	300NHG2BI			
	315		315NHG2B	315NHG2BI			
	355		355NHG2B	355NHG2BI			
	400		400NHG2B	400NHG2BI			
	425		425NHG2B	-			
	450		450NHG2B	-			
	500		440	500NHG2B		-	3
	03		250	500		250NHG03B	250NHG03BI
315		315NHG03B	315NHG03BI				
355		355NHG03B	355NHG03BI				
400		400NHG03B	400NHG03BI				
3	315	500	315NHG3B	-	3		
	355		355NHG3B	-			
	400		400NHG3B	-			
	425		425NHG3B	-			
	450		450NHG3B	-			
	500		500NHG3B	-			
	630		630NHG3B	-			
	800		440	800NHG3B		-	3
	4**		500	500		500NHG4G	-
630		630NHG4G	-				
800		800NHG4G	-				
1000		1000NHG4G	-				
1250		1250NHG4G	-				



** Size 4 NH is a single indication fuse with slotted end tags

500 V a.c. - class gG/gL - 2 to 100 amps - size 000

Time-current characteristics



Technical data

Catalogue numbers with metal gripping lugs	Catalogue numbers with insulated metal gripping lugs	Fuse link size	Current (amps)	Voltage (V a.c.)	I^2t (Amps ² seconds)			Net weight per fuse (kg)
					Minimum Pre-arcing	* I_1 , 120 kA at 500 V a.c.	Watts loss (W)	
2NHG000B	2NHG000BI	000	2	500	3.5	6	3.9	0.130
4NHG000B	4NHG000BI		4		6	12	1.8	
6NHG000B	6NHG000BI		6		14	21	2	
10NHG000B	10NHG000BI		10		58	290	1.5	
16NHG000B	16NHG000BI		16		234	1200	2.3	
20NHG000B	20NHG000BI		20		490	2500	2.2	
25NHG000B	25NHG000BI		25		920	4600	3.1	
32NHG000B	32NHG000BI		32		1800	9000	3.4	
35NHG000B	35NHG000BI		35		2400	11,800	3.7	
40NHG000B	40NHG000BI		40		3300	16,500	4	
50NHG000B	50NHG000BI		50		5900	29,500	4.9	
63NHG000B	63NHG000BI		63		6300	24,900	4.6	
80NHG000B	80NHG000BI		80		9800	38,900	6.3	
100NHG000B	100NHG000BI		100		18,100	72,300	7.4	

* I_1 is the maximum breaking capacity test at voltage according to IEC 60269-1 and 2 requirements

1.4

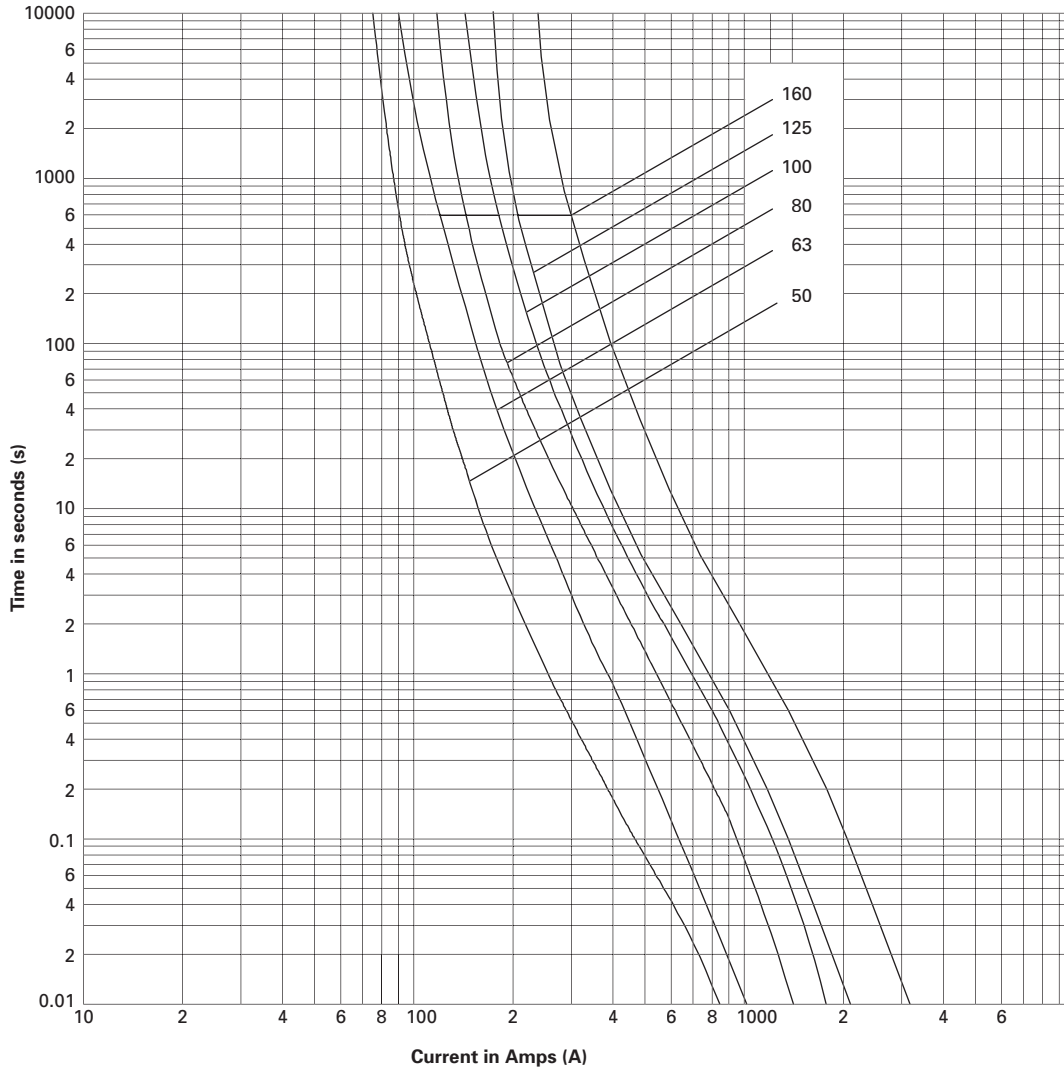
NH Fuse links - 500 V a.c. - class gG/gL

Time-current characteristics and technical data

1.4

500 V a.c. - class gG/gL - 50 to 160 amps - size 00

Time-current characteristics



Technical data

Catalogue numbers with metal gripping lugs	Catalogue numbers with insulated metal gripping lugs	Fuse link size	Current (amps)	Voltage (V a.c.)	I ² t (Amps ² seconds)			Watts loss (W)	Net weight per fuse (kg)
					Minimum Pre-arcing	*I ₁ 120 kA at 500 V a.c.			
50NHG00B	50NHG00BI**	00	50	500	5800	21,500	5	0.190	
63NHG00B	63NHG00BI**		63		5800	25,000	5		
80NHG00B	80NHG00BI**		80		11,000	35,000	7		
100NHG00B	100NHG00BI**		100		19,000	60,000	7.5		
125NHG00B	125NHG00BI		125		25,000	125,000	10		
160NHG00B	160NHG00BI		160		64,000	310,000	10		

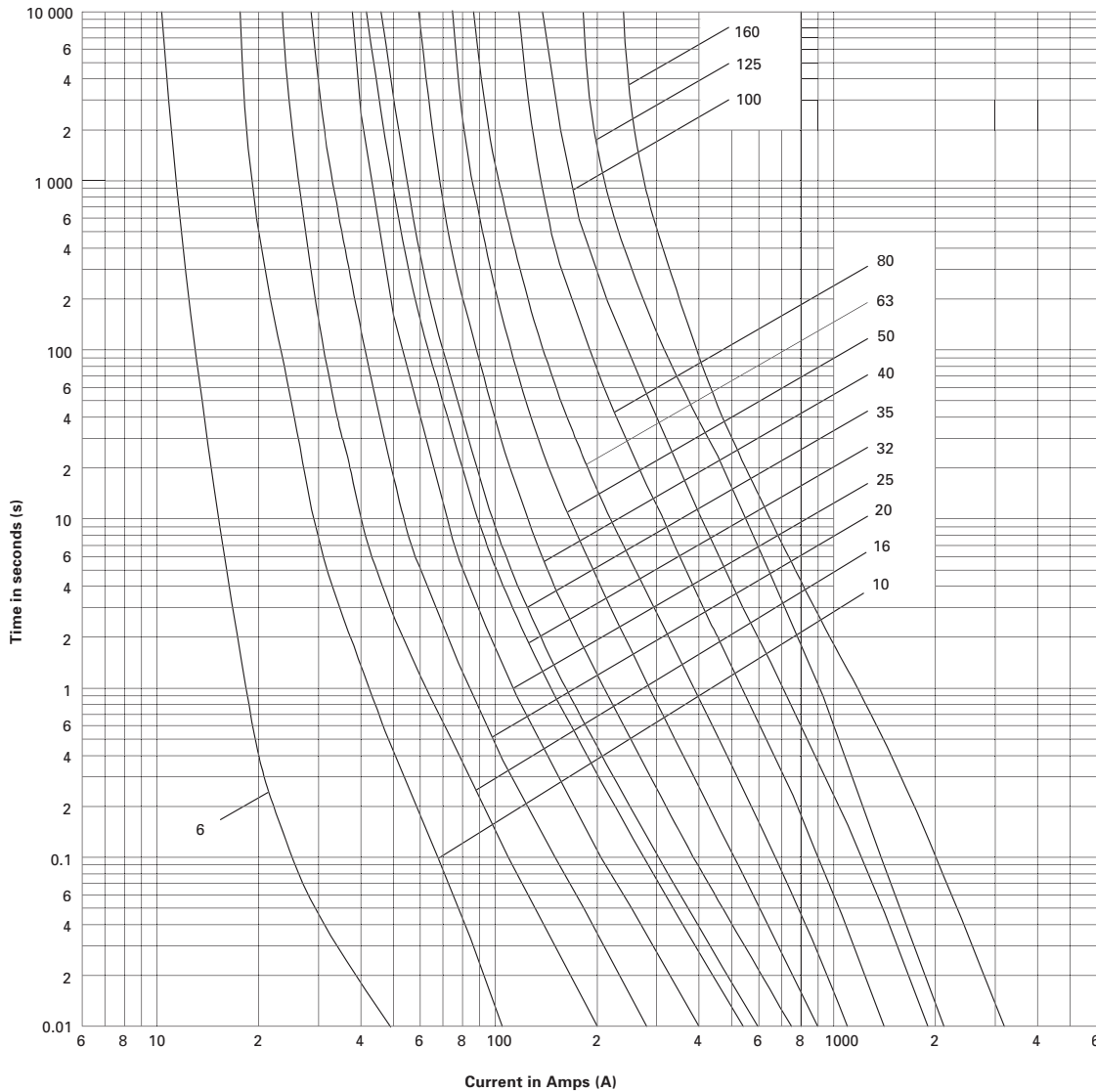
* I₁ is the maximum breaking capacity test at voltage according to IEC 60269-1 and 2 requirements

** Parts available upon request

500 V a.c. - class gG/gL - 6 to 160 amps - size 0

1.4

Time-current characteristics



Technical data

Catalogue numbers with metal gripping lugs	Fuse link size	Current (amps)	Voltage (V a.c.)	I ² t (Amps ² seconds)			Net weight per fuse (kg)
				Minimum Pre-arcing	*I ₁ 120 kA at 500 V a.c.	Watts loss (W)	
6NHGOB	0	6	500	14	21	2	0.260
10NHGOB		10		58	290	2	
16NHGOB		16		240	1200	3	
20NHGOB		20		490	2500	3.5	
25NHGOB		25		1200	5600	3.2	
32NHGOB		32		1800	9000	4.8	
35NHGOB		35		2400	11,800	4.7	
40NHGOB		40		3300	16,500	5	
50NHGOB		50		5600	27,800	6.3	
63NHGOB		63		6600	26,100	5.6	
80NHGOB		80		9800	38,900	7.1	
100NHGOB		100		20,600	82,300	7.5	
125NHGOB		125		25,000	125,000	11.8	
160NHGOB		160		62,000	310,000	12.3	

* I₁ is the maximum breaking capacity test at voltage according to IEC 60269-1 and 2 requirements

1.4

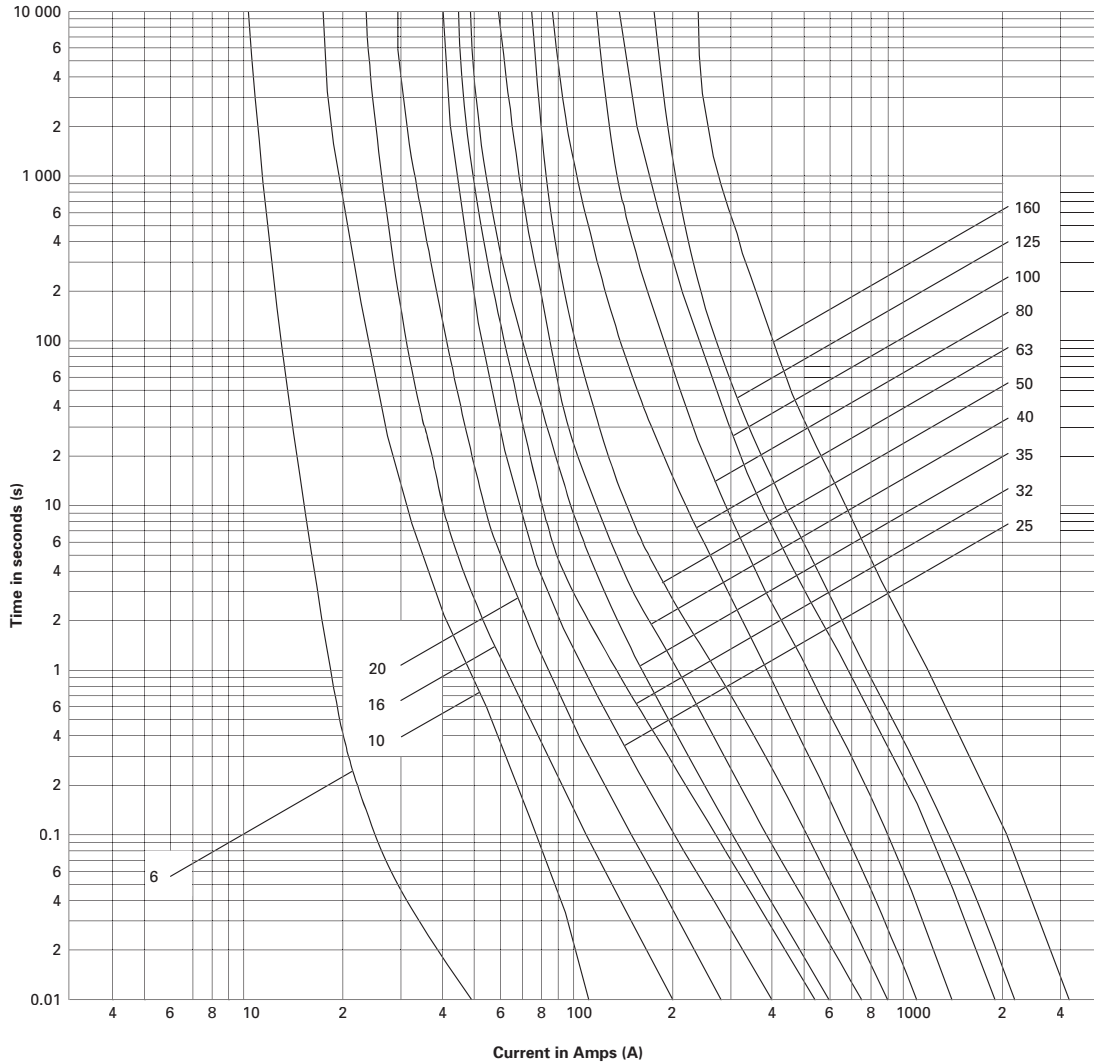
NH Fuse links - 500 V a.c. - class gG/gL

Time-current characteristics and technical data

1.4

500 V a.c. - class gG/gL - 6 to 160 amps - size 01

Time-current characteristics



Technical data

Catalogue numbers with metal gripping lugs	Catalogue numbers with insulated metal gripping lugs	Fuse link size	Current (amps)	Voltage (V a.c.)	I ² t (Amps ² seconds)			Net weight per fuse (kg)
					Minimum Pre-arcing	*I _b , 120 kA at 500 V a.c.	Watts loss (W)	
6NHG01B	6NHG01BI	01	6	500	14	21	2	0.270
10NHG01B	10NHG01BI		10		58	290	2	
16NHG01B	16NHG01BI		16		240	1200	3	
20NHG01B	20NHG01BI		20		490	2500	3.4	
25NHG01B	25NHG01BI		25		1200	5600	5	
32NHG01B	32NHG01BI		32		1800	9000	4.8	
35NHG01B	35NHG01BI		35		2400	11,800	4.6	
40NHG01B	40NHG01BI		40		3300	16,500	5	
50NHG01B	50NHG01BI		50		5600	27,800	6.3	
63NHG01B	63NHG01BI		63		6600	26,100	5.6	
80NHG01B	80NHG01BI		80		9800	38,900	7.1	
100NHG01B	100NHG01BI		100		20,600	82,300	7.7	
125NHG01B	125NHG01BI		125		25,000	125,000	11.8	
160NHG01B	160NHG01BI		160		62,000	310,000	12.3	

* I_b is the maximum breaking capacity test at voltage according to IEC 60269-1 and 2 requirements

NH Fuse links - 500 V a.c. - class gG/gL

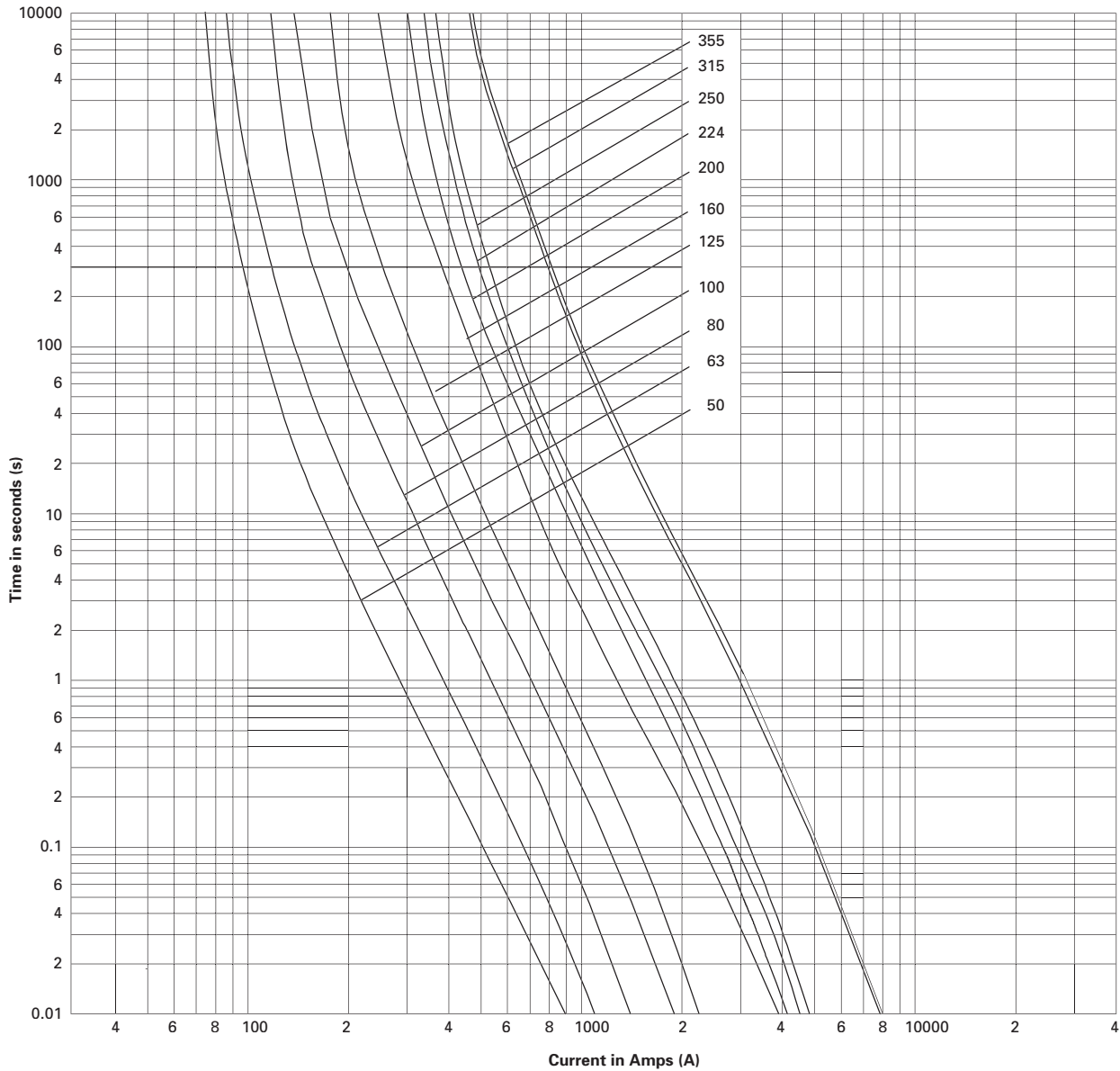
1.4

Time-current characteristics and technical data

500 V a.c. - class gG/gL - 50 to 355 amps - size 1

1.4

Time-current characteristics



Technical data

Catalogue numbers with metal gripping lugs	Catalogue numbers with insulated metal gripping lugs	Fuse link size	Current (amps)	Voltage (V a.c.)	I ² t (Amps ² seconds)		Watts loss (W)	Net weight per fuse (kg)
					Minimum Pre-arcing	*I ₁ , 120 kA at 500 V a.c.		
50NHG1B	50NHG1BI	1	50	500	6350	18,000	6.4	0.390
63NHG1B	63NHG1BI		63		6800	23,000	5.6	
80NHG1B	80NHG1BI		80		10,500	31,200	7.7	
100NHG1B	100NHG1BI		100		22,000	68,200	8.2	
125NHG1B	125NHG1BI		125		29,000	82,000	13	
160NHG1B	160NHG1BI		160		62,000	310,000	12.3	
200NHG1B	200NHG1BI		200		97,000	368,600	15	
224NHG1B	224NHG1BI		224		124,000	471,200	18	
250NHG1B	250NHG1BI		250		151,300	574,900	19	
315NHG1B	-		315	440	320,000	750,000	22	
355NHG1B	-		355		320,000	750,000	32	

* I₁ is the maximum breaking capacity test at voltage according to IEC 60269-1 and 2 requirements

1.4

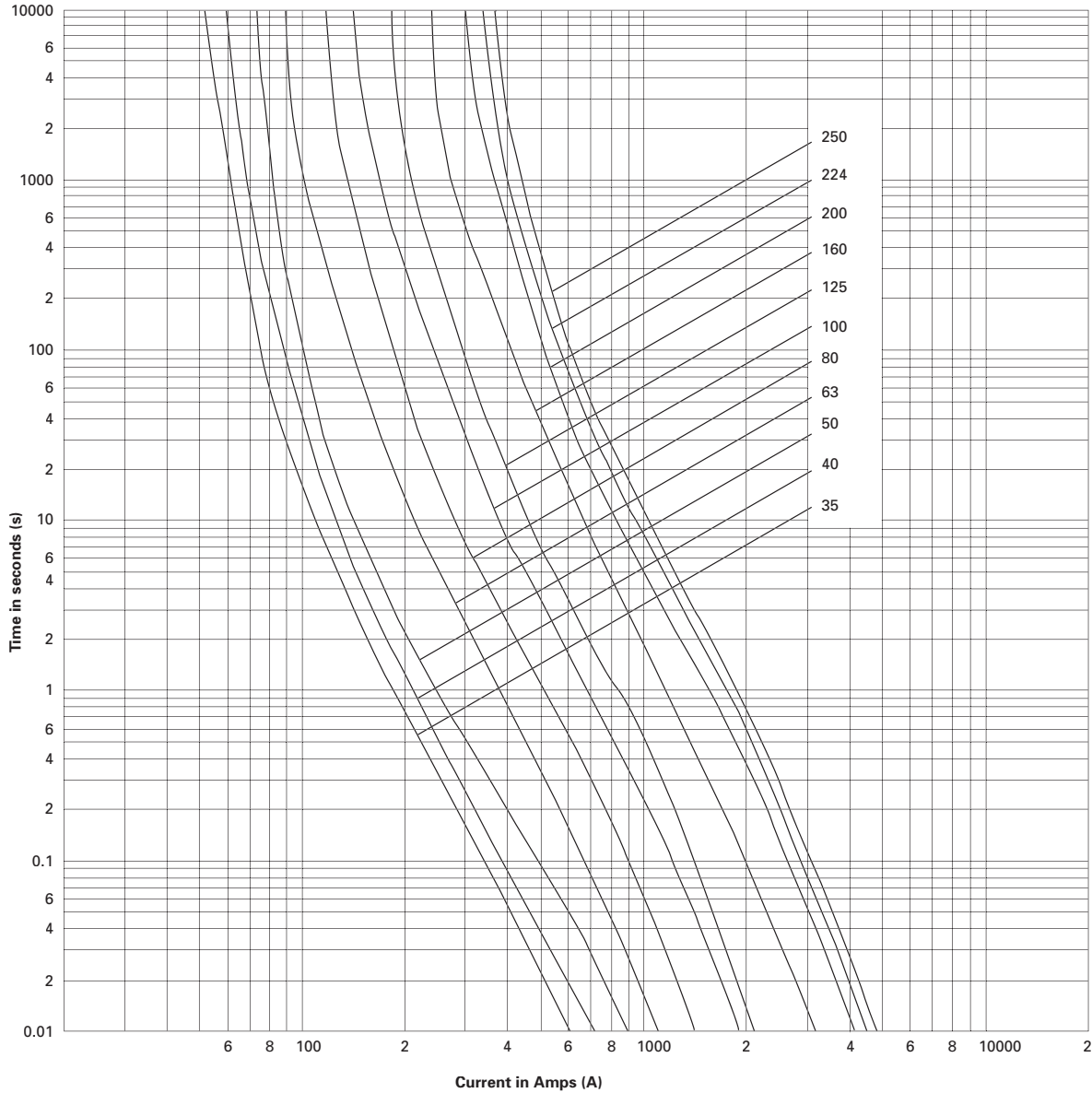
NH Fuse links - 500 V a.c. - class gG/gL

Time-current characteristics and technical data

1.4

500 V a.c. - class gG/gL - 35 to 250 amps - size 02

Time-current characteristics



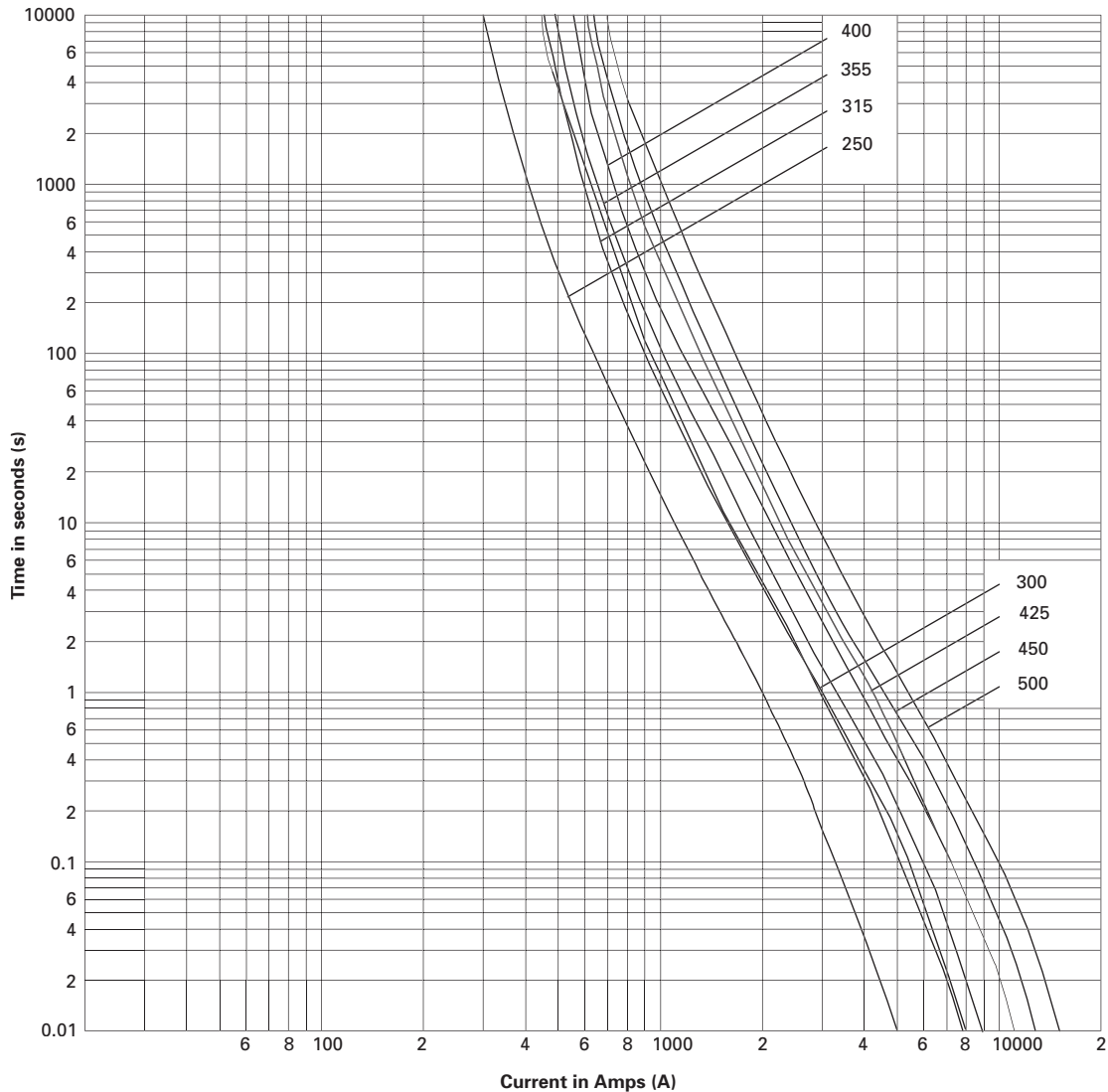
Technical data

Catalogue numbers with metal gripping lugs	Catalogue numbers with insulated metal gripping lugs	Fuse link size	Current (amps)	Voltage (V a.c.)	I ² t (Amps ² seconds)		Watts loss (W)	Net weight per fuse (kg)
					Minimum Pre-arcing	*I ₁ , 120 kA at 500 V a.c.		
35NHG02B	35NHG02BI	02	35	500	2400	11,800	4.7	0.402
40NHG02B	40NHG02BI		40		3300	16,500	5	
50NHG02B	50NHG02BI		50		5600	27,800	6.4	
63NHG02B	63NHG02BI		63		6600	26,100	5.5	
80NHG02B	80NHG02BI		80		9800	38,900	7.3	
100NHG02B	100NHG02BI		100		20,600	82,300	7.5	
125NHG02B	125NHG02BI		125		25,000	100,000	12	
160NHG02B	160NHG02BI		160		62,000	248,000	12	
200NHG02B	200NHG02BI		200		96,900	367,900	15	
224NHG02B	224NHG02BI		224		124,000	471,200	18	
250NHG02B	250NHG02BI		250		151,300	574,900	19	

* I₁ is the maximum breaking capacity test at voltage according to IEC 60269-1 and 2 requirements

500 V a.c. - class gG/gL - 250 to 500 amps - size 2

Time-current characteristics



Technical data

Catalogue numbers with metal gripping lugs	Catalogue numbers with insulated metal gripping lugs	Fuse link size	Current (amps)	Voltage (V a.c.)	I ² t (Amps ² seconds)		Watts loss (W)	Net weight per fuse (kg)
					Minimum Pre-arcing	*I ₁ 120 kA at 500 V a.c.		
250NHG2B	250NHG2BI	2	250	500	170,000	437,000	23	0.630
300NHG2B	300NHG1BI		300		320,000	840,000	20	
315NHG2B	315NHG2BI		315		361,700	1,446,500	21	
355NHG2B	355NHG2BI		355		446,500	1,785,800	27	
400NHG2B	400NHG2BI		400		642,900	2,571,500	30	
425NHG2B	-		425		720,000	1,862,000	31	
450NHG2B	-		450		870,000	2,275,000	31	
500NHG2B	-	2	500	440	1,200,000	2,720,000	37	

* I₁ is the maximum breaking capacity test at voltage according to IEC 60269-1 and 2 requirements

1.4

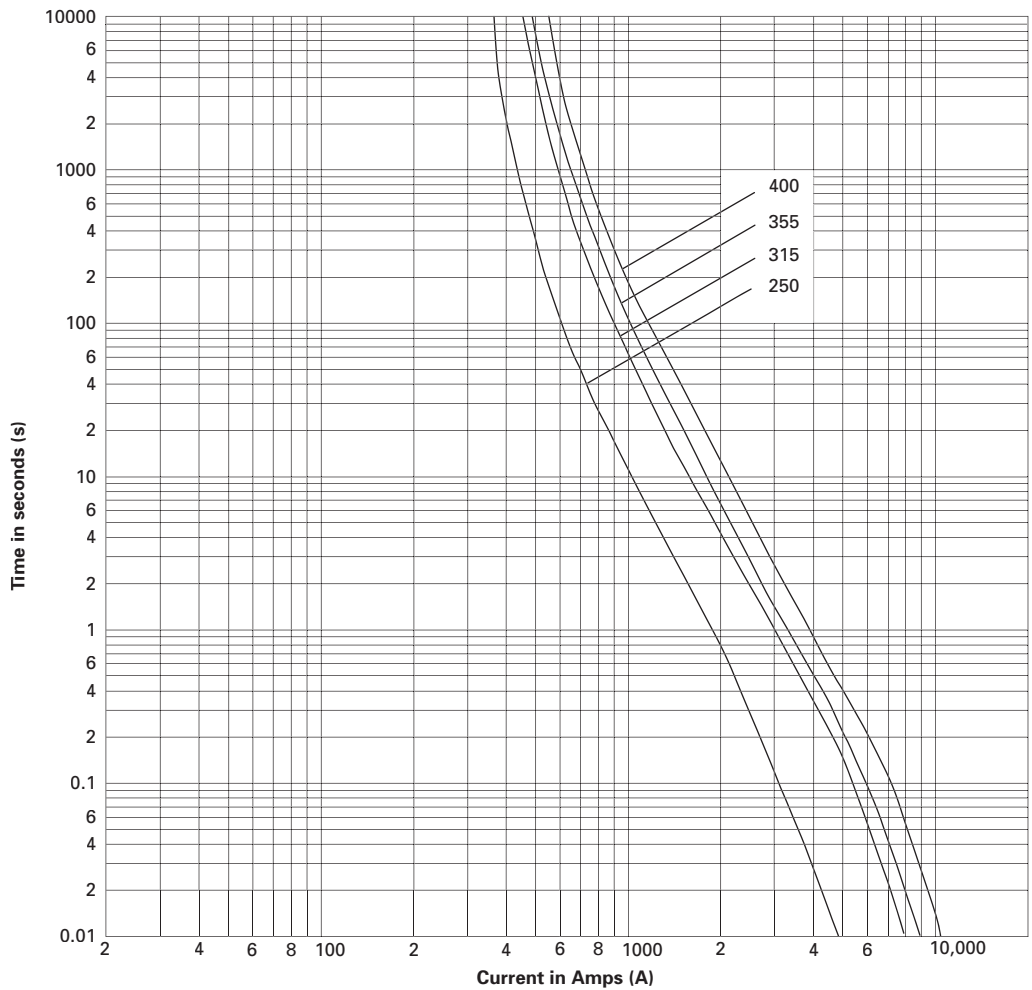
NH Fuse links - 500 V a.c. - class gG/gL

Time-current characteristics and technical data

1.4

500 V a.c. - class gG/gL - 250 to 400 amps - size 03

Time-current characteristics



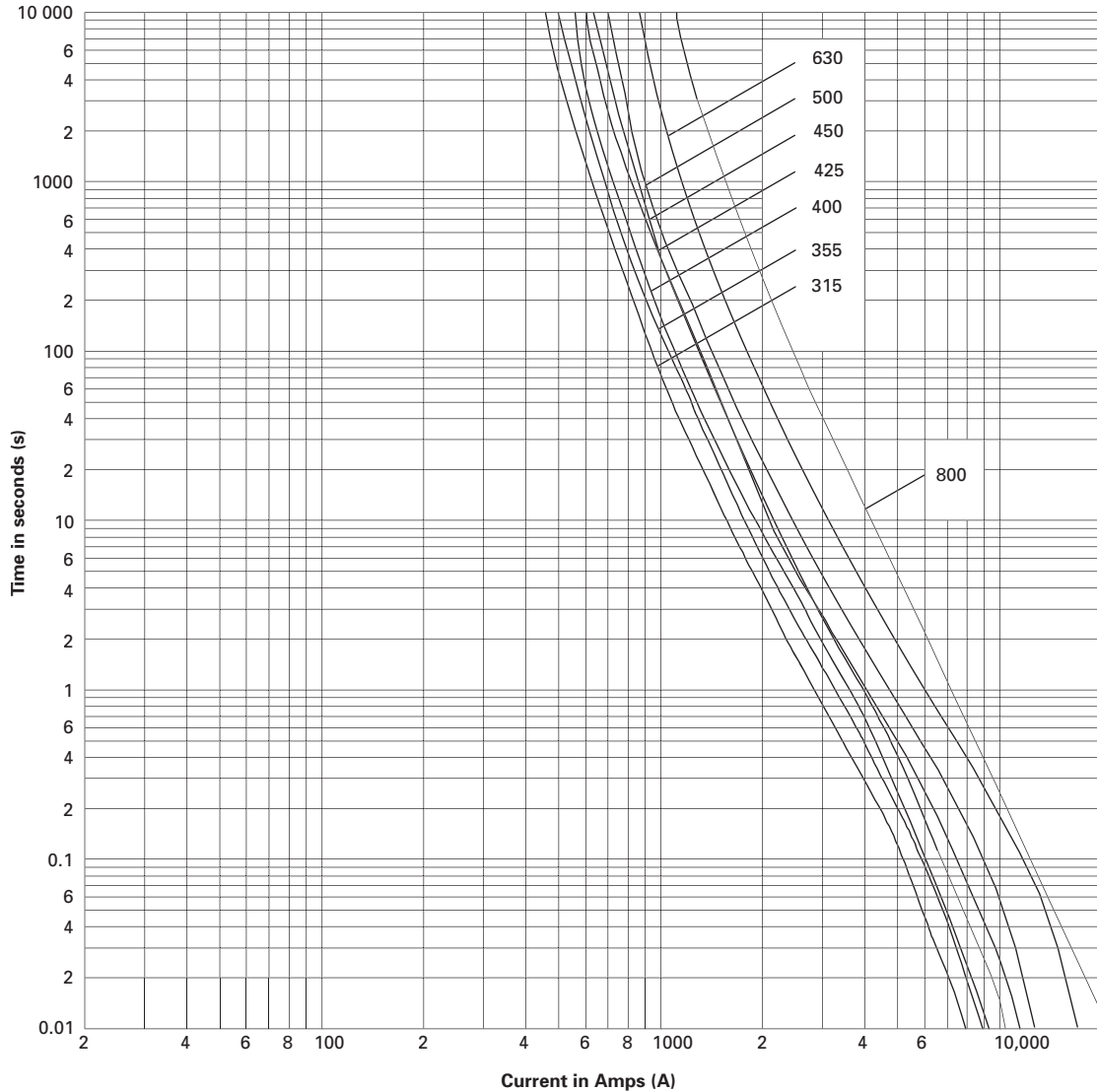
Technical data

Catalogue numbers with metal gripping lugs	Catalogue numbers with insulated metal gripping lugs	Fuse link size	Current (amps)	Voltage (V a.c.)	I ² t (Amps ² seconds)		Watts loss (W)	Net weight per fuse (kg)
					Minimum Pre-arcing	*I ₁ , 120 kA at 500 V a.c.		
250NHG03B	250NHG03BI	03	250	500	160,800	642,900	20	0.640
315NHG03B	315NHG03BI		315		361,700	1,446,500	21	
355NHG03B	355NHG03BI		355		446,500	1,785,800	27	
400NHG03B	400NHG03BI		400		642,900	2,571,500	30	

* I₁ is the maximum breaking capacity test at voltage according to IEC 60269-1 and 2 requirements

500 V a.c. - class gG/gL - 315 to 800 amps - size 3

Time-current characteristics



Technical data

Catalogue numbers with metal gripping lugs	Fuse link size	Current (amps)	Voltage (V a.c.)	I ² t (Amps ² seconds)		Watts loss (W)	Net weight per fuse (kg)
				Minimum Pre-arcing	*I ₁ 120 kA at 500 V a.c.		
315NHG3B	3	315	500	375,000	970,000	22	1.050
355NHG3B		355		400,000	1,110,000	25	
400NHG3B		400		642,900	2,571,500	30	
425NHG3B		425		570,000	1,934,000	30	
450NHG3B		450		670,000	2,260,000	33	
500NHG3B		500		886,000	3,898,400	37	
630NHG3B		630		1,590,000	6,996,000	47	
800NHG3B	3	800	440	2,420,000	5,420,000	59	1.050

* I₁ is the maximum breaking capacity test at voltage according to IEC 60269-1 and 2 requirements

1.4

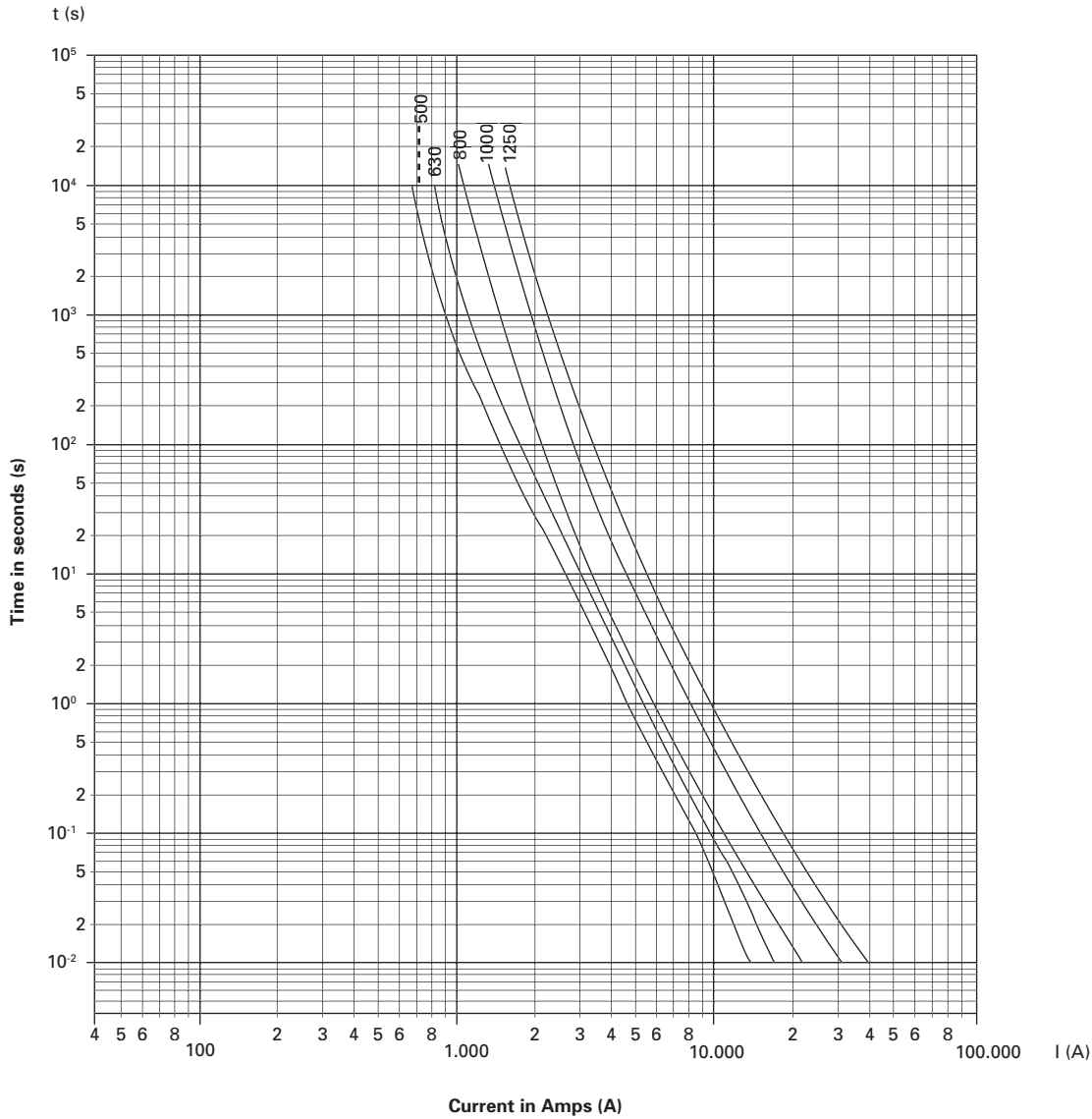
NH Fuse links - 500 V a.c. - class gG/gL

Time-current characteristics and technical data

1.4

500 V a.c. - class gG/gL - 500 to 1250 amps - size 4*

Time-current characteristics



Technical data

Catalogue numbers with metal gripping lugs	Fuse link size	Current (amps)	Voltage (V a.c.)	I ² t (Amps ² seconds)		Watts loss (W)	Net weight per fuse (kg)
				Minimum Pre-arcing	**I ₁ 120 kA at 500 V a.c.		
500NHG4G	4	500	500	800,000	3,850,000	37	2.200
630NHG4G		630		880,000	4,100,000	47	
800NHG4G		800		1,500,000	6,480,000	68	
1000NHG4G		1000		4,800,000	13,000,000	80	
1250NHG4G		1250		7,000,000	18,000,000	108	

* Size 4 NH is a single indication fuse with slotted end tags

** I₁ is the maximum breaking capacity test at voltage according to IEC 60269-1 and 2 requirements

NH Fuse links - 690 V a.c. - class gG/gL

1.5

Overview

Description

A square bodied range of industrial fuse links for a wide variety of applications.

Catalogue numbers structure

- (amp)NHG(size)B-690 e.g. 2NHG000B-690.

Class of operation

- gL/gG.

Standards / approvals

- IEC 60269-1 and 2, DIN 43620 Part 1 and 3.

Technical data

- Sizes 000 to 4
- Voltage: 690 V a.c.
- Current: 2 to 800 A
- Rated breaking capacity: 120 kA
- Operating frequency: 45-62Hz.

1.5

Optional microswitch

NH Fuse body size	Suitable microswitch
Size 000	170H0236
Size 00	170H0236
Size 1	170H0236
Size 2	170H0235 or 170H0236
Size 3	170H0235
Size 4	Not available

Compatible fuse holders

Description	Type	Data sheet number
Fuse bases 1-pole	DIN-Rail mounting SD-D	10163
	Screw mounting SD-S	10163
Fuse bases 3-pole	DIN-Rail mounting TD-D	10163
Fuse bases accessories	IP20, Shroud and phase barriers kits	10163
Fuse rails	Vertical - EBF	10240
Fuse switch disconnectors	Vertical - EBV	10275
	Horizontal - EBH Size 000	10292
	Horizontal - EBH Size 00 to 4	10293



Environmental

- Recyclable
- RoHS compliant
- Lead and cadmium free for sizes 000 to 4 (2 to 1250A).

Packaging

- Sizes 000 to 3: 3 per carton
- Size 4: 1 per carton

Features:

- Reliable dual indicator system (size 4 single indication only)
- Low temperature rise
- Globally compliant
- UL on limited ratings.

1.5

NH Fuse links - 690 V a.c. - class gG/gL

Catalogue numbers

1.5

Catalogue numbers

Size	Current (amps)	Voltage (V a.c.)	gG/gL Dual Indicator		Pack Quantity
			Voltage Conducting Metal Gripping Lugs	Insulated Metal Gripping Lugs	
000	2	690	2NHG000B-690	-	3
	4		4NHG000B-690	-	
	6		6NHG000B-690	-	
	10		10NHG000BI-690	10NHG000BI-690	
	16		16NHG000B-690	16NHG000BI-690	
	20		20NHG000B-690	20NHG000BI-690	
	25		25NHG000B-690	25NHG000BI-690	
	32		32NHG000B-690	32NHG000BI-690	
	35		35NHG000B-690	35NHG000BI-690	
	40		40NHG000B-690	40NHG000BI-690	
00	50	690	50NHG00B-690	50NHG00BI-690	3
	63		63NHG00B-690	63NHG00BI-690	
	80		80NHG00B-690	80NHG00BI-690	
	100		100NHG00B-690	100NHG00BI-690	
	125		125NHG00B-690	125NHG00BI-690	
	160		660	160NHG00B-660	
1	50	690	50NHG1B-690	50NHG1BI-690	3
	63		63NHG1B-690	63NHG1BI-690	
	80		80NHG1B-690	80NHG1BI-690	
	100		100NHG1B-690	100NHG1BI-690	
	125		125NHG1B-690	125NHG1BI-690	
	160		160NHG1B-690	160NHG1BI-690	
	200		200NHG1B-690	200NHG1BI-690	
	224		224NHG1B-690	224NHG1BI-690	
2	250	690	250NHG2B-690	250NHG2BI-690	3
	224		224NHG2B-690	224NHG2BI-690	
	250		250NHG2B-690	250NHG2BI-690	
	315		315NHG2B-690	315NHG2BI-690	
3	250	690	250NHG3B-690	-	3
	315		315NHG3B-690	-	
	355		355NHG3B-690	-	
	400		400NHG3B-690	-	
	425		425NHG3B-690	-	
	500		500NHG3B-690	-	
4*	630	690	630NHG4B-690	-	1
	800		800NHG4B-690	-	

* Size 4 is a fuse link with single indication fuse link with slotted end tags

Please consult us should you wish to order 500 Volts size 4 buletechnical@eaton.com or 00 44 (0) 1509 882 699



NH Fuse links - 690 V a.c. - class gG/gL

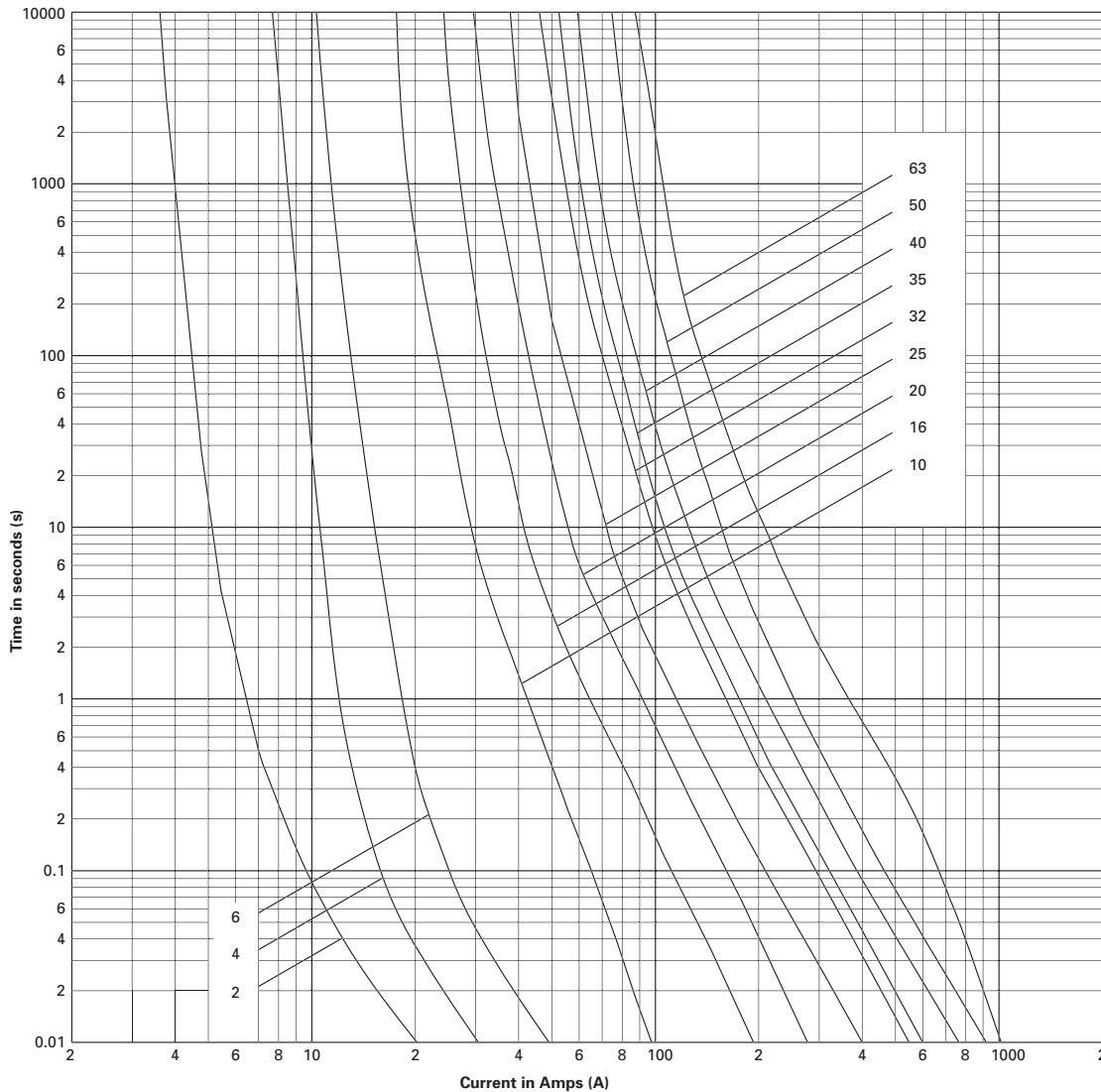
1.5

Time-current characteristics and technical data

690 V a.c. - class gG/gL - 2 to 63 amps - size 000

1.5

Time-current characteristics



Technical data

Catalogue numbers with metal gripping lugs	Catalogue numbers with insulated metal gripping lugs	Fuse link size	Current (amps)	Voltage (V a.c.)	I ² t (Amps ² seconds)		Watts loss (W)	Net weight per fuse (kg)
					Minimum Pre-arcing	*I ₁ 120 kA at 690 V a.c.		
2NHG000B-690	-	000	2	690	3.5	8	4	0.118
4NHG000B-690	-		4		6	16	2	
6NHG000B-690	-		6		14	25	2	
10NHG000B-690	10NHG000BI-690		10		60	400	1.5	
16NHG000B-690	16NHG000BI-690		16		240	1200	2.5	
20NHG000B-690	20NHG000BI-690		20		500	2500	2.5	
25NHG000B-690	25NHG000BI-690		25		920	4400	3.5	
32NHG000B-690	32NHG000BI-690		32		1800	9600	3.5	
35NHG000B-690	35NHG000BI-690		35		2800	15,000	4	
40NHG000B-690	40NHG000BI-690		40		3300	15,000	4	
50NHG000B-690	50NHG000BI-690		50		6100	26,500	5.5	
63NHG000B-690	63NHG000BI-690		63		6500	30,500	5.5	

* I₁ is the maximum breaking capacity test at voltage according to IEC 60269-1 and 2 requirements

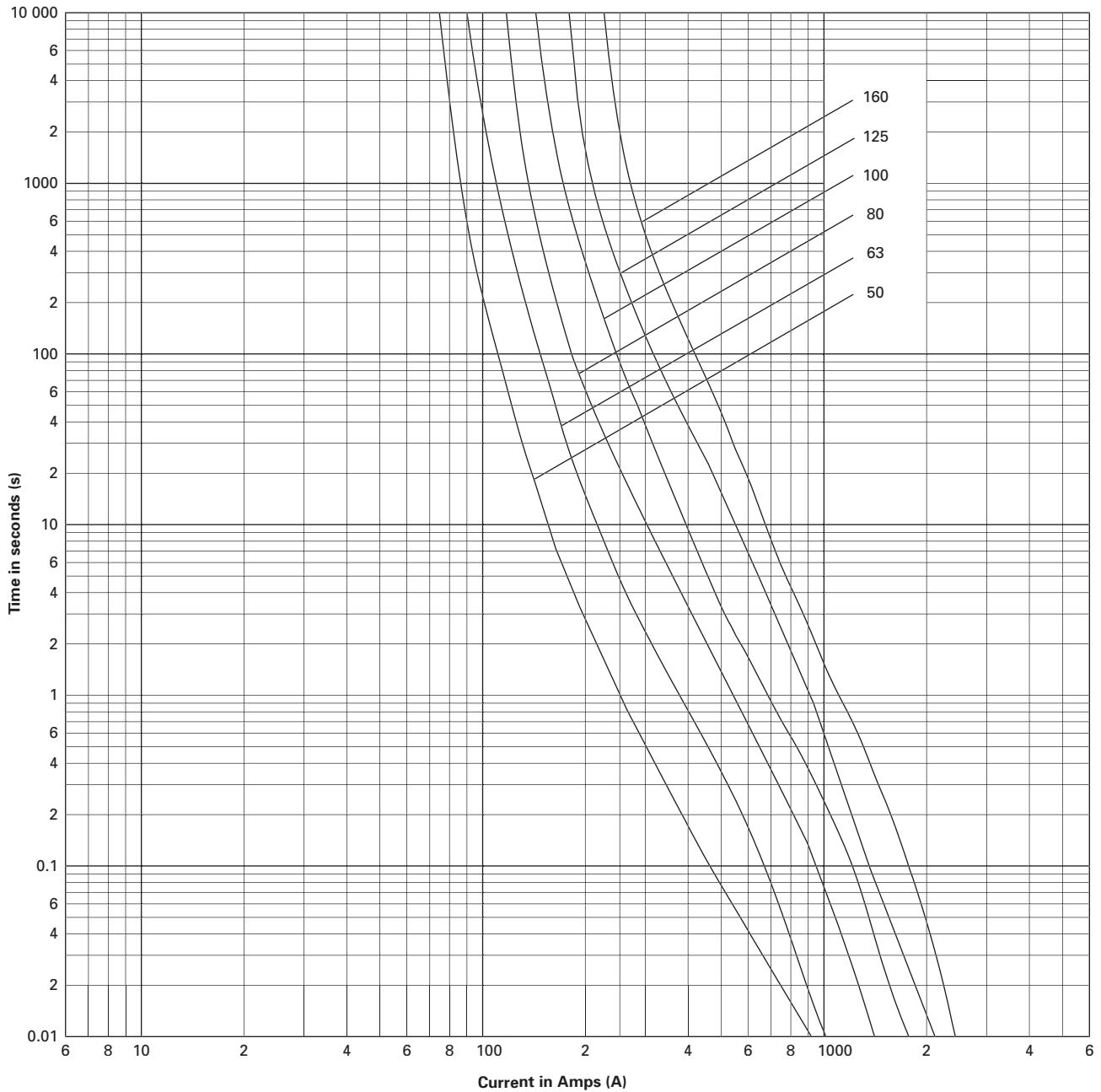
1.5

NH Fuse links - 690 V a.c. - class gG/gL

Time-current characteristics and technical data

1.5 690 V a.c. - class gG/gL - 50 to 160 amps - size 00

Time-current characteristics



Technical data

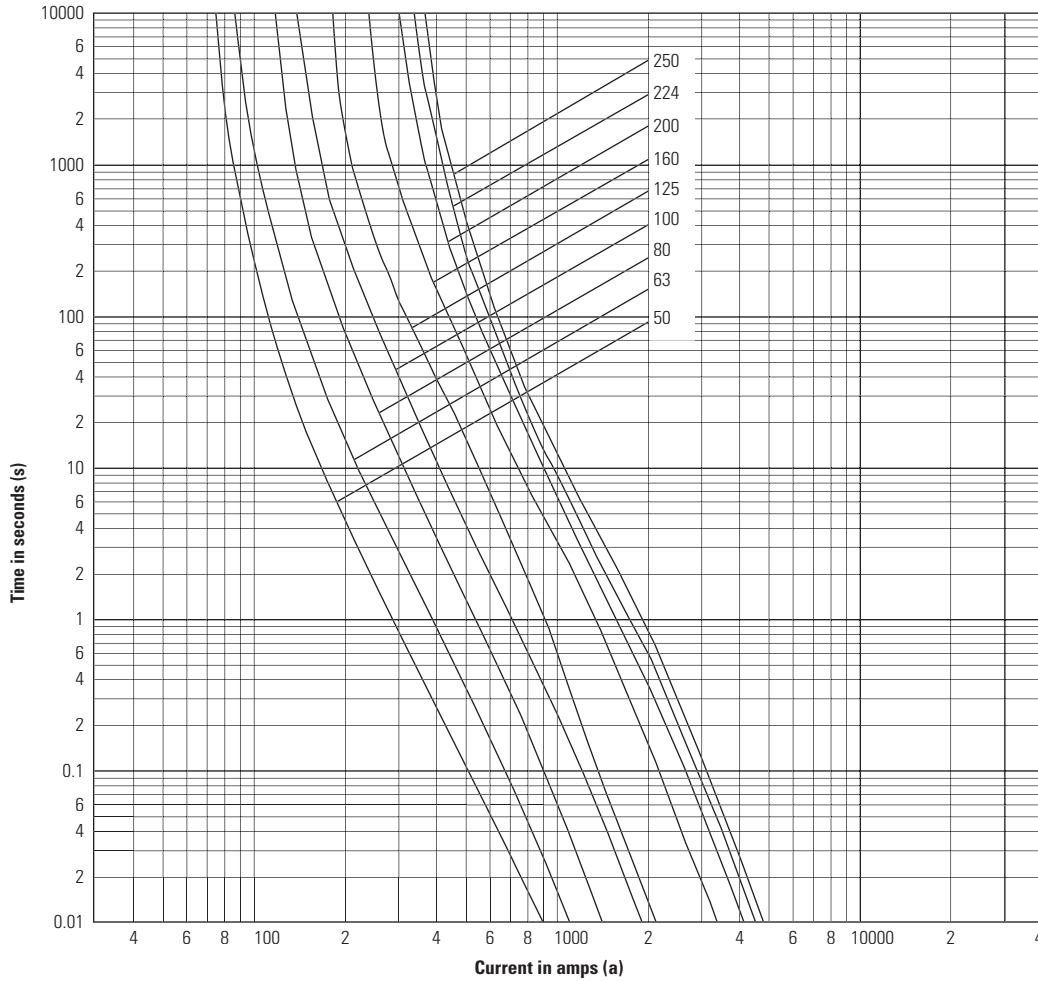
Catalogue numbers with metal gripping lugs	Catalogue numbers with insulated metal gripping lugs	Fuse link size	Current (amps)	Voltage (V a.c.)	I ² t (Amps ² seconds)			Net weight per fuse (kg)
					Minimum Pre-arcing	*I ₁ 120 kA at 690 V a.c.	Watts loss (W)	
50NHG00B-690	50NHG00BI-690	00	50	690	5800	35,000	5	0.182
63NHG00B-690	63NHG00BI-690		63		5800	43,000	5	
80NHG00B-690	80NHG00BI-690		80		11,000	54,500	7	
100NHG00B-690	100NHG00BI-690		100		19,000	92,000	7.5	
125NHG00B-690	125NHG00BI-690		125		27,500	105,000	9.5	
160NHG00B-660	-	00	160	660	40,500	135,000	13	0.182

* I₁ is the maximum breaking capacity test at voltage according to IEC 60269-1 and 2 requirements

690 V a.c. - class gG/gL - 50 to 250 amps - size 1

1.5

Time-current characteristics



Technical data

Catalogue numbers with metal gripping lugs	Catalogue numbers with insulated metal gripping lugs	Fuse link size	Current (amps)	Voltage (V a.c.)	I ² t (Amps ² seconds)		Watts loss (W)	Net weight per fuse (kg)
					Minimum Pre-arcing	*I ₁ , 120 kA at 690 V a.c.		
50NHG1B-690	50NHG1BI-690	1	50	690	6350	26,500	6.4	0.380
63NHG1B-690	63NHG1BI-690		63		6800	36,000	5.6	
80NHG1B-690	80NHG1BI-690		80		10,500	47,500	7.7	
100NHG1B-690	100NHG1BI-690		100		22,000	105,000	8.2	
125NHG1B-690	125NHG1BI-690		125		29,000	120,000	13	
160NHG1B-690	160NHG1BI-690		160		71,000	240,000	13	
200NHG1B-690	200NHG1BI-690		200		105,000	350,000	17	
224NHG1B-690	224NHG1BI-690		224		120,000	430,000	19	
250NHG1B-690	250NHG1BI-690		250		150,000	520,000	22	

* I₁ is the maximum breaking capacity test at voltage according to IEC 60269-1 and 2 requirements

1.5

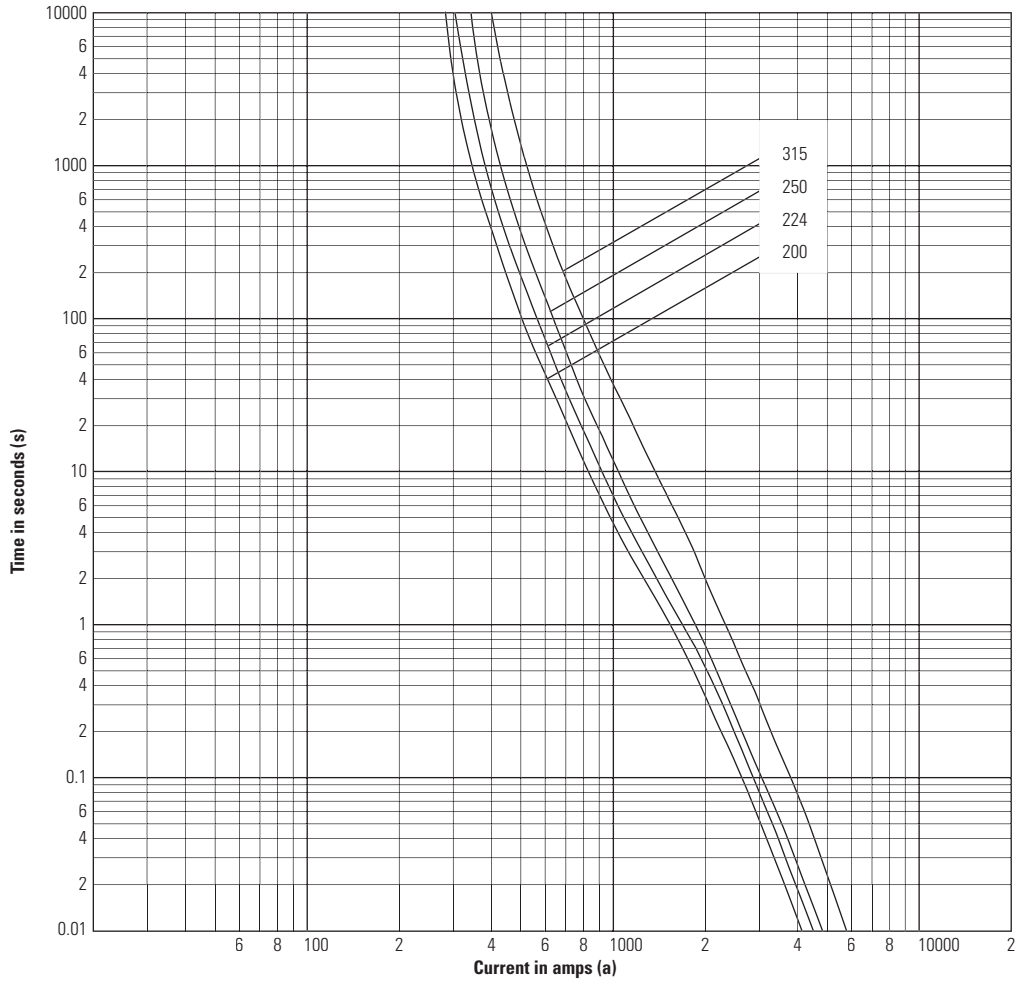
NH Fuse links - 690 V a.c. - class gG/gL

Time-current characteristics and technical data

1.5

690 V a.c. - class gG/gL - 200 to 315 amps - size 2

Time-current characteristics



Technical data

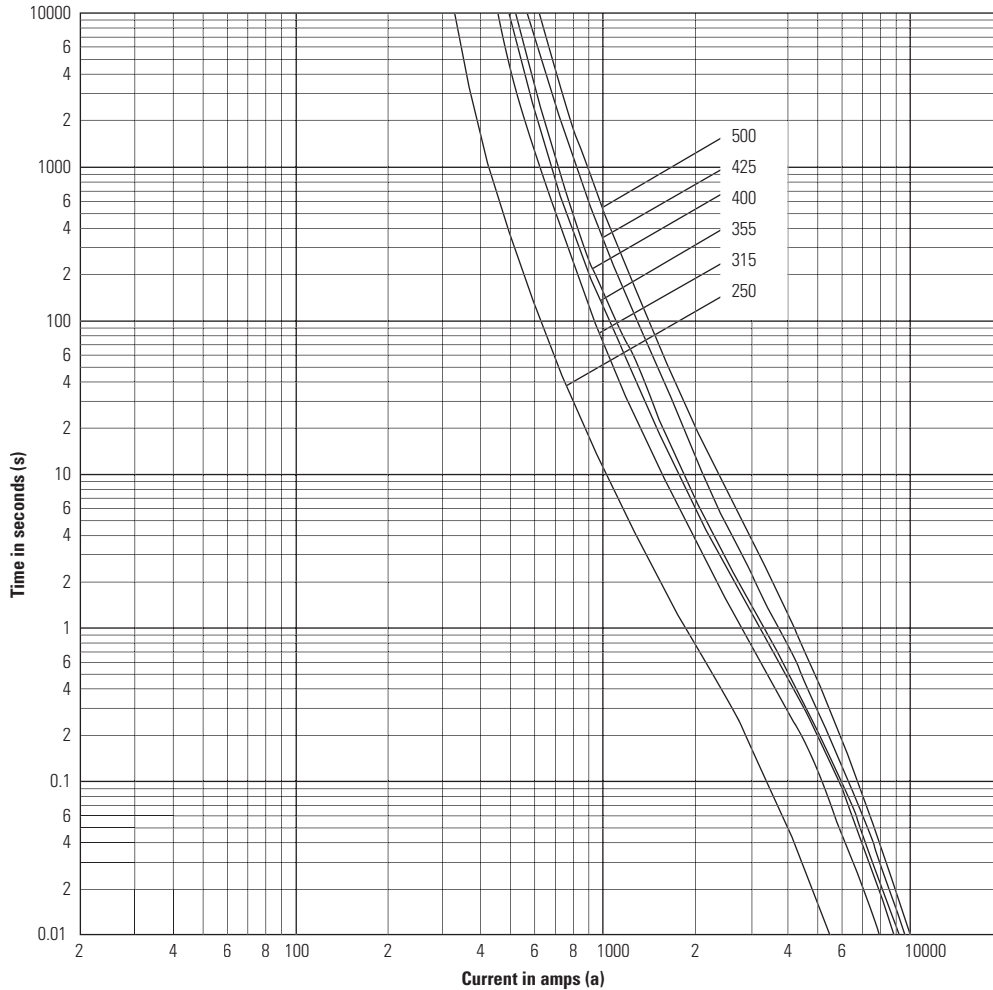
Catalogue numbers with metal gripping lugs	Catalogue numbers with insulated metal gripping lugs	Fuse link size	Current (amps)	Voltage (V a.c.)	I ² t (Amps ² seconds)		Watts loss (W)	Net weight per fuse (kg)
					Minimum Pre-arcing	*I ₁ 120 kA at 690 V a.c.		
200NHG2B-690	200NHG2BI-690	2	200	690	99,000	385,000	18	0.620
224NHG2B-690	224NHG2BI-690		224		130,000	485,000	20	
250NHG2B-690	250NHG2BI-690		250		170,000	625,000	23	
315NHG2B-690	315NHG2BI-690		315		295,000	760,000	32	

* I₁ is the maximum breaking capacity test at voltage according to IEC 60269-1 and 2 requirements

690 V a.c. - class gG/gL - 250 to 500 amps - size 3

1.5

Time-current characteristics



Technical data

Catalogue numbers with metal gripping lugs	Fuse link size	Current (amps)	Voltage (V a.c.)	I ² t (Amps ² seconds)		Watts loss (W)	Net weight per fuse (kg)
				Minimum Pre-arcing	*I ₁ 120 kA at 690 V a.c.		
250NHG3B-690	3	250	690	160,000	715,000	21	1.050
315NHG3B-690		315		375,000	1,400,000	22	
355NHG3B-690		355		400,000	1,650,000	25	
400NHG3B-690		400		475,000	1,600,000	37	
425NHG3B-690		425		630,000	1,700,000	35	
500NHG3B-690		500		856,000	2,480,000	43	

* I₁ is the maximum breaking capacity test at voltage according to IEC 60269-1 and 2 requirements

1.5

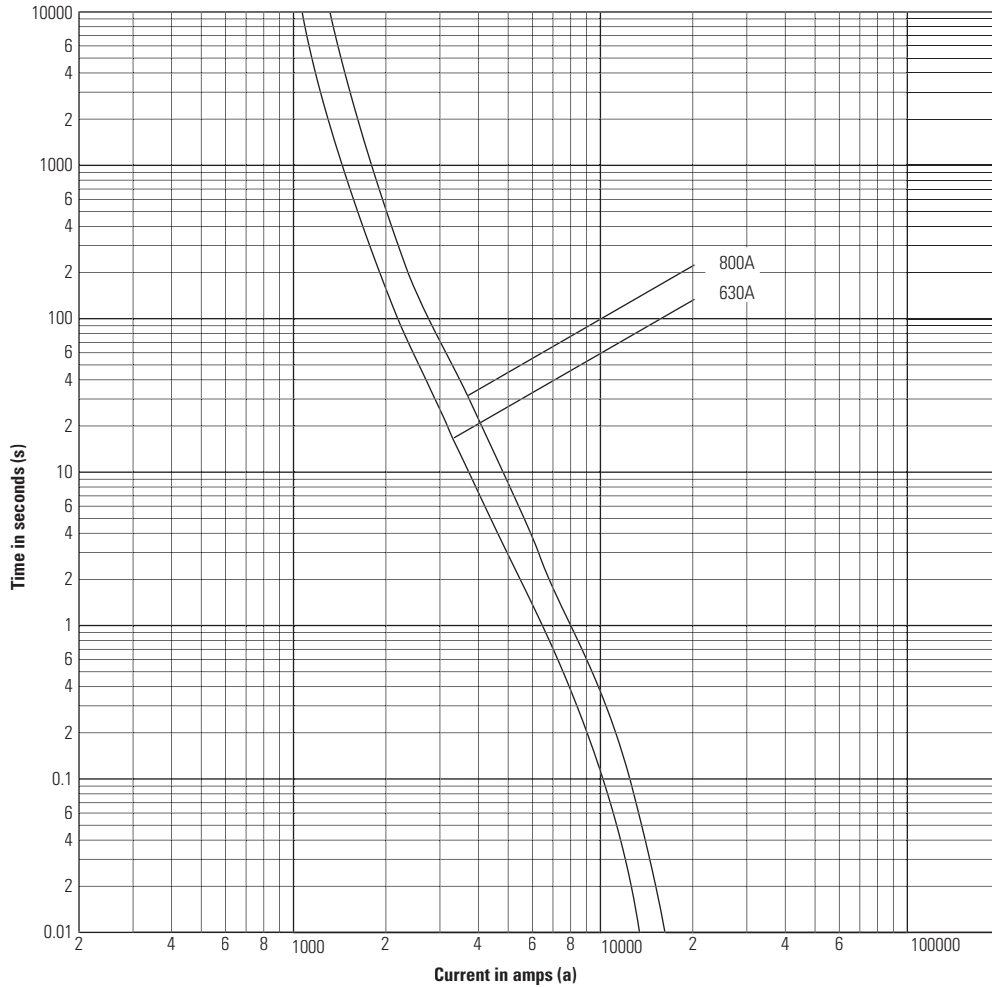
NH Fuse links - 690 V a.c. - class gG/gL

Time-current characteristics and technical data

1.5

690 V a.c. - class gG/gL - 630 and 800 amps - size 4*

Time-current characteristics



Technical data

Catalogue numbers with metal gripping lugs	Fuse link size	Current (amps)	Voltage (V a.c.)	I ² t (Amps ² seconds)		Watts loss (W)	Net weight per fuse (kg)
				Minimum Pre-arcing	*I ₁ , 120 kA at 690 V a.c.		
630NHG4B-690	4	630	690	1,730,000	6,550,000	44	2.500
800NHG4B-690		800		3,330,000	11,000,000	61	

*Single indication fuse link with slotted end tags

** I₁ is the maximum breaking capacity test at voltage according to IEC 60269-1 and 2 requirements

Please consult us should you wish to order 500 Volts size 4 buletechnical@eaton.com or 00 44 (0) 1509 882 699

NH Fuse links - 500 and 690 V a.c. - class aM

1.6

Overview

1.6

Description

A range of class aM square bodied industrial fuse links for a wide variety of motor protection applications.

Catalogue Numbers structure

- 500 Volts: (amp)NHM(size)B
- 690 Volts: (amp)NHM(size) B-690.

Class of operation

- aM.

Standards / approvals

- IEC 60269-1 and 2, DIN 43620 Part 1 and 3.

Technical data

- Sizes 000 to 3
- Voltage: 500 and 690 V a.c.
- Current: 6 to 500 A
- Rated breaking capacity: 120 kA
- Operating frequency: 45-62Hz.

Optional microswitch

NH Fuse body size	Suitable microswitch
Size 000	170H0236
Size 00	170H0236
Size 1	170H0236
Size 2	170H0235 or 170H0236
Size 3	170H0235

Compatible fuse holders

Description	Type
Fuse bases 1-pole	SD(size)-D DIN-Rail mounted
	SD(size)-S: Screw mounting
Fuse bases 3-pole	TD(size)-D, DIN-Rail mounted
Fuse bases accessories:	IP20, shroud and phase barrier kits
Fuse rails	vertical: EBF series
Fuse switch disconnectors	vertical: EBV series
	horizontal: EBH series



Environmental

- Recyclable
- RoHS compliant
- Lead and cadmium free.

Packaging

- All fuse links are packed in threes.

Features:

- Reliable dual indicator system (except size 2, 315 and 355 A which are single indication)
- Low watts loss
- Metal gripping lugs.

1.6

NH Fuse links - 500 and 690 V a.c. - class aM

Catalogue numbers

1.6 Catalogue numbers

Size	Current (amps)	500 V a.c. class aM	690 V a.c. class aM	Pack quantity
		Voltage conducting metal gripping lugs	Voltage conducting metal gripping lugs	
000	6	6NHM000B	6NHM000B-690	3
	10	10NHM000B	10NHM000B-690	
	16	16NHM000B	16NHM000B-690	
	20	20NHM000B	20NHM000B-690	
	25	25NHM000B	25NHM000B-690	
	32	32NHM000B	32NHM000B-690	
	35	35NHM000B	35NHM000B-690	
	40	40NHM000B	40NHM000B-690	
	50	50NHM000B	50NHM000B-690	
00	63	63NHM00B	63NHM00B-690	3
	80	80NHM00B	80NHM00B-690	
	100	100NHM00B	100NHM00B-690	
1	50	50NHM1B	50NHM1B-690	3
	63	63NHM1B	63NHM1B-690	
	80	80NHM1B	80NHM1B-690	
	100	100NHM1B	100NHM1B-690	
	125	125NHM1B	125NHM1B-690	
	160	160NHM1B	160NHM1B-690	
2	125	125NHM2B	125NHM2B-690	3
	160	160NHM2B	160NHM2B-690	
	200	200NHM2B	200NHM2B-690	
	224	224NHM2B	224NHM2B-690	
	250	250NHM2B	250NHM2B-690	
	315*	315NHM2B*	315NHM2B-690*	
	355*	355NHM2B*	355NHM2B-690*	
3	315	315NHM3B	315NHM3B-690	3
	355	355NHM3B	355NHM3B-690	
	400	400NHM3B	400NHM3B-690	
	500	500NHM3B	500NHM3B-690	

* Single indication



NH Fuse links - 500 and 690 V a.c. - class aM

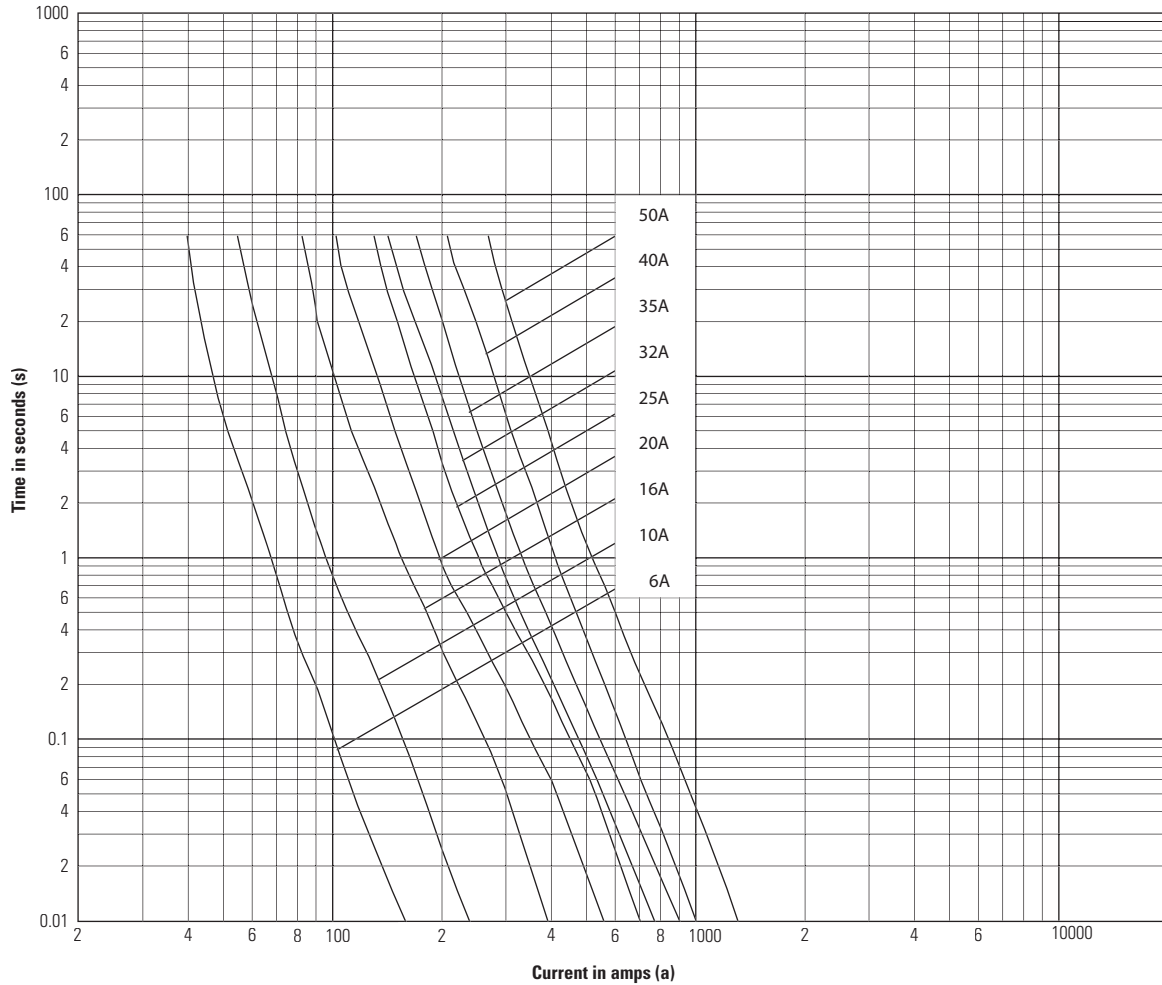
1.6

Time-current characteristics and technical data

500 and 690 V a.c. - class aM - 6 to 50 amps - size 000

1.6

Time-current characteristics



Technical data

500 V a.c.		690 V a.c.		I ² t (Amps ² seconds)			
Catalogue numbers with metal gripping lugs	Catalogue numbers with metal gripping lugs	Fuse link size	Current (amps)	Minimum Pre-arcing	*I ₁ 120 kA at 690 V a.c.	Watts loss (W)	Net weight per fuse (kg)
6NHM000B	6NM000B-690	000	6	48	650	0.3	0.118
10NHM000B	10NHM000B-690		10	200	1800	0.5	
16NHM000B	16NHM000B-690		16	500	4400	0.8	
20NHM000B	20NHM000B-690		20	1450	7250	0.9	
25NHM000B	25NHM000B-690		25	3500	13,500	1.1	
32NHM000B	32NHM000B-690		32	2200	7500	2.1	
35NHM000B	35NHM000B-690		35	3000	12,000	2.1	
40NHM000B	40NHM000B-690		40	4700	14,500	2.3	
50NHM000B	50NHM000B-690		50	11,000	27,000	2.7	

* I₁ is the maximum breaking capacity test at voltage according to IEC 60269-1 and 2 requirements

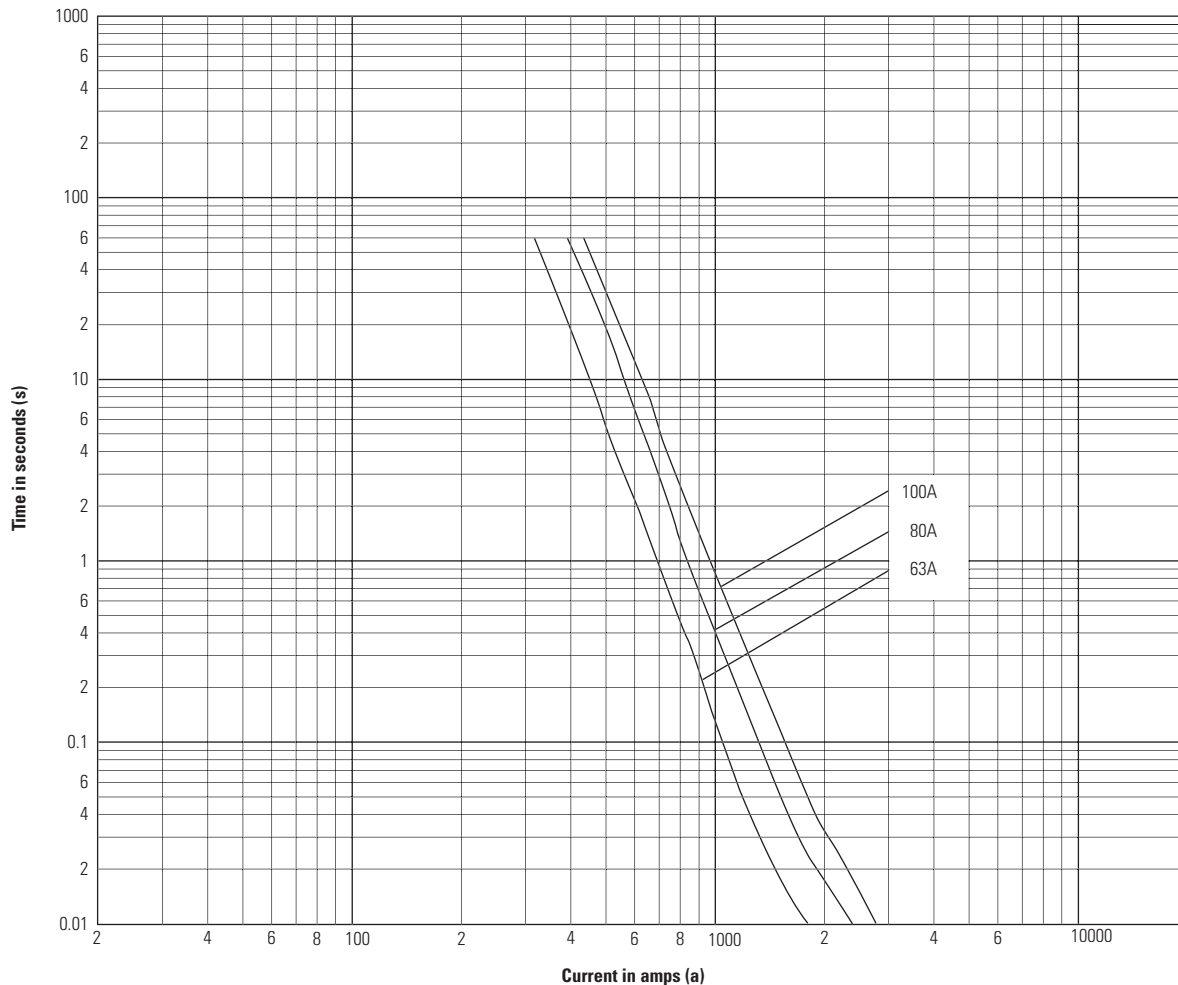
1.6

NH Fuse links - 500 and 690 V a.c. - class aM

Time-current characteristics and technical data

1.6 500 and 690 V a.c. - class aM - 63 to 100 amps - size 00

Time-current characteristics



Technical data

500 V a.c.		690 V a.c.		I^2t (Amps ² seconds)			
Catalogue numbers with metal gripping lugs	Catalogue numbers with metal gripping lugs	Fuse link size	Current (amps)	Minimum Pre-arcing	* I_b 120 kA at 690 V a.c.	Watts loss (W)	Net weight per fuse (kg)
63NHM00B	63NHM00B-690	00	63	16,000	52,000	3.1	0.186
80NHM00B	80NHM00B-690		80	24,000	69,500	4.3	
100NHM00B	100NHM00B-690		100	35,000	110,000	5.5	

* I_b is the maximum breaking capacity test at voltage according to IEC 60269-1 and 2 requirements

NH Fuse links - 500 and 690 V a.c. - class aM

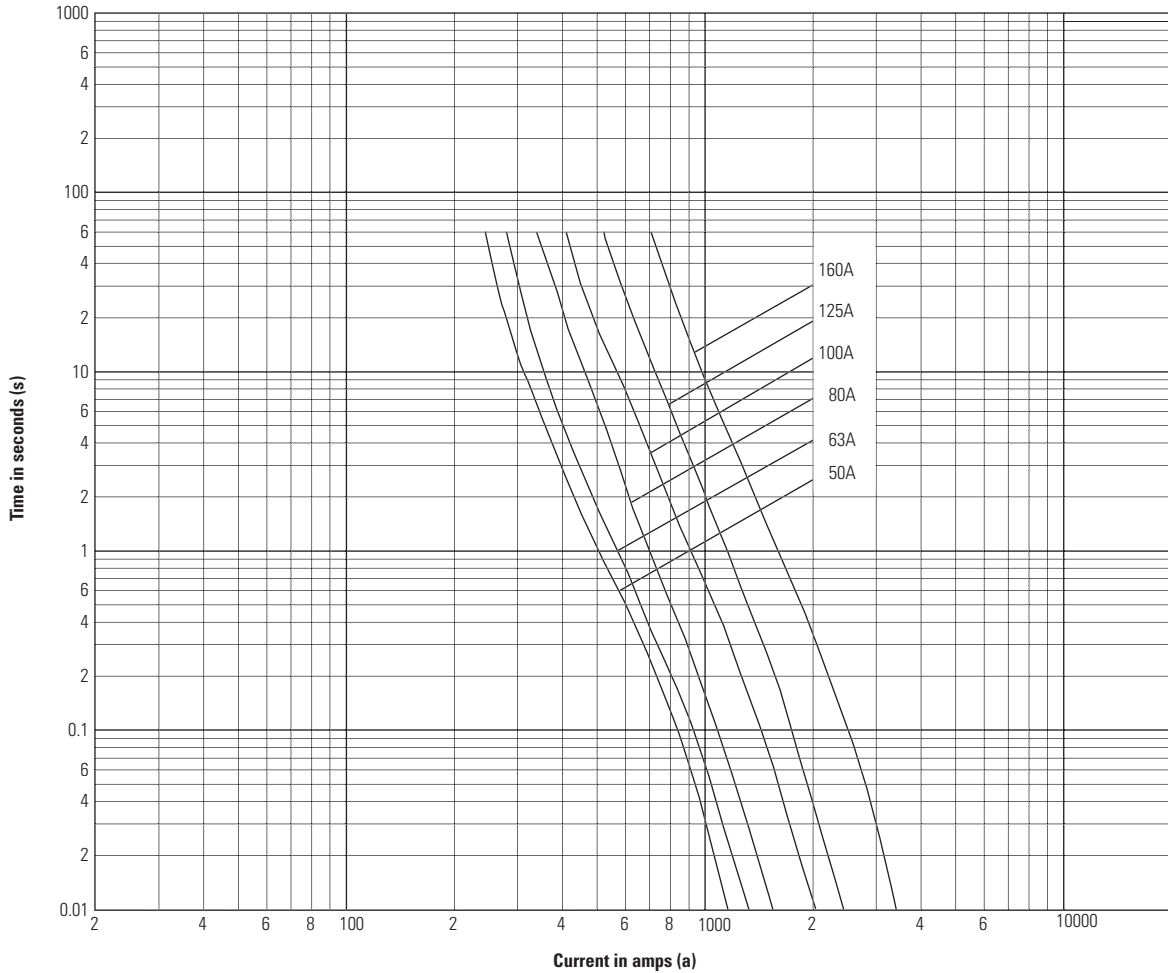
1.6

Time-current characteristics and technical data

500 and 690 V a.c. - class aM - 50 to 160 amps - size 1

1.6

Time-current characteristics



Technical data

500 V a.c.		690 V a.c.		I^2t (Amps ² seconds)			
Catalogue numbers with metal gripping lugs	Catalogue numbers with metal gripping lugs	Fuse link size	Current (amps)	Minimum Pre-arcing	* I_b 120 kA at 690 V a.c.	Watts loss (W)	Net weight per fuse (kg)
50NHM1B	50NHM1B-690	1	50	10,000	39,500	3	0.380
63NHM1B	63NHM1B-690		63	12,500	49,500	4.4	
80NHM1B	80NHM1B-690		80	19,500	77,500	5.6	
100NHM1B	100NHM1B-690		100	33,000	105,000	6.7	
125NHM1B	125NHM1B-690		125	49,500	170,000	8.8	
160NHM1B	160NHM1B-690		160	110,000	315,000	10.6	

* I_b is the maximum breaking capacity test at voltage according to IEC 60269-1 and 2 requirements

1.6

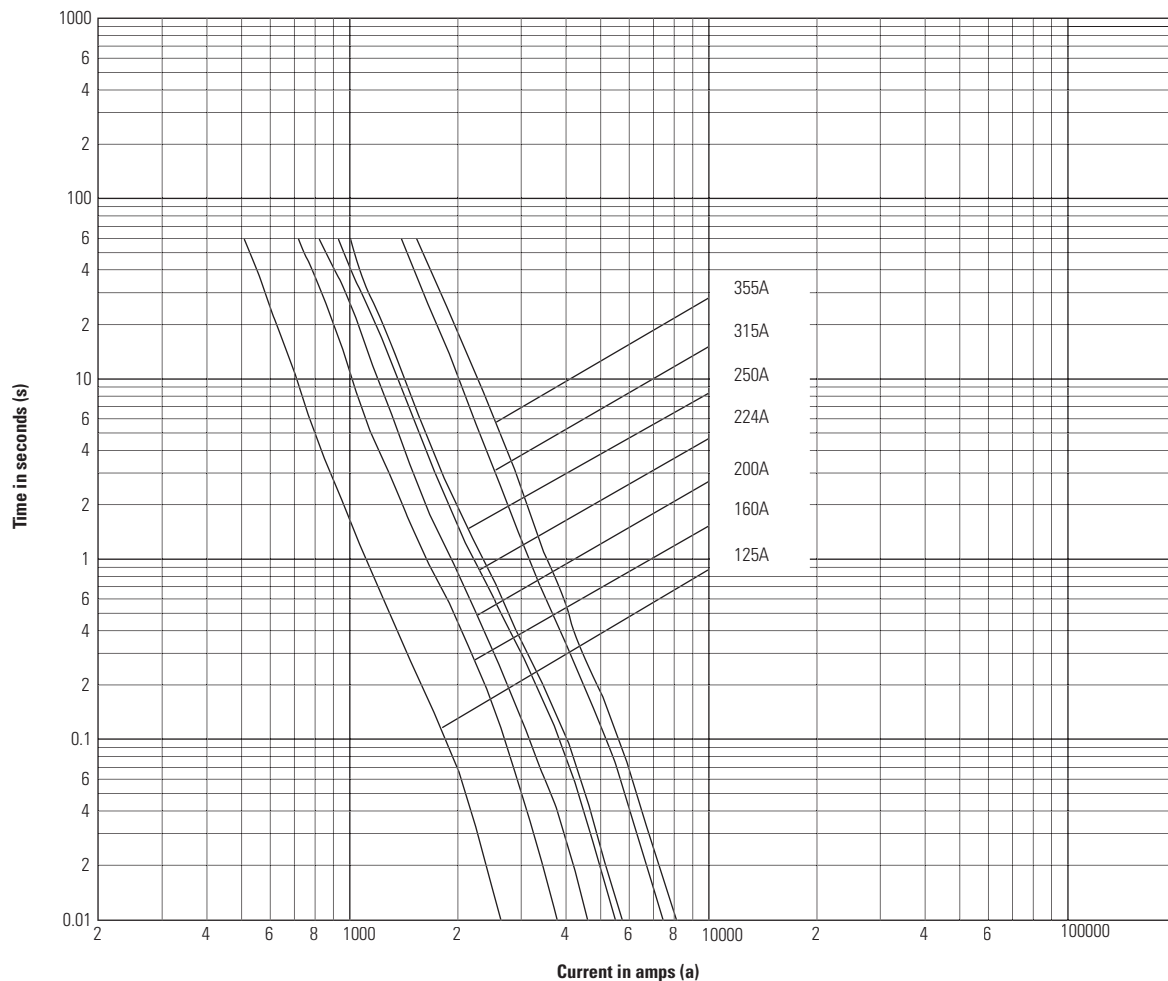
NH Fuse links - 500 and 690 V a.c. - class aM

Time-current characteristics and technical data

1.6

500 and 690 V a.c. - class aM - 125 to 355 amps - size 2

Time-current characteristics



Technical data

500 V a.c.		690 V a.c.		I ² t (Amps ² seconds)			
Catalogue numbers with metal gripping lugs	Catalogue numbers with metal gripping lugs	Fuse link size	Current (amps)	Minimum Pre-arcing	**I ₁ , 120 kA at 690 V a.c.	Watts loss (W)	Net weight per fuse (kg)
125NHM2B	125NHM2B-690	2	125	56,500	215,000	9.7	0.615
160NHM2B	160NHM2B-690		160	120,000	510,000	11	
200NHM2B	200NHM2B-690		200	175,000	730,000	14	
224NHM2B	224NHM2B-690		224	255,000	1,050,000	15	
250NHM2B	250NHM2B-690		250	300,000	1,280,000	17	
315NHM2B*	315NHM2B-690*		315	510,000	1,150,000	23	
355NHM2B*	355NHM2B-690*		355	570,000	1,300,000	28	

* Single indication

** I₁ is the maximum breaking capacity test at voltage according to IEC 60269-1 and 2 requirements

NH Fuse links - 500 and 690 V a.c. - class aM

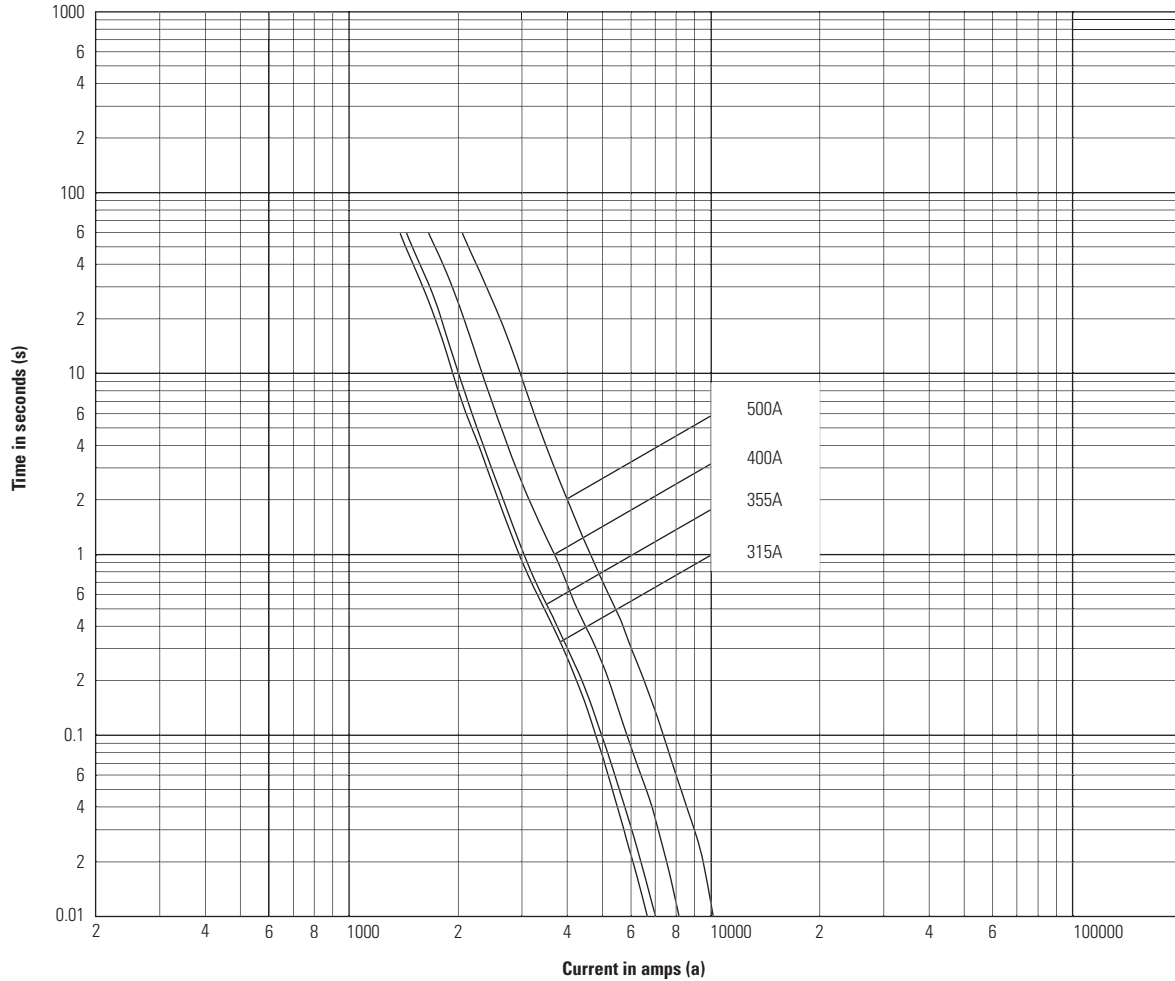
1.6

Time-current characteristics and technical data

500 and 690 V a.c. - class aM - 315 to 500 amps - size 3

1.6

Time-current characteristics



Technical data

500 V a.c.		690 V a.c.		I ² t (Amps ² seconds)			
Catalogue numbers with metal gripping lugs	Catalogue numbers with metal gripping lugs	Fuse link size	Current (amps)	Minimum Pre-arcing	*I ₁ 120 kA at 690 V a.c.	Watts loss (W)	Net weight per fuse (kg)
315NHM3B	315NHM3B-690	3	315	480,000	1,600,000	20	1.050
355NHM3B	355NHM3B-690		355	500,000	1,300,000	27	
400NHM3B	400NHM3B-690		400	680,000	2,000,000	28	
500NHM3B	500NHM3B-690		500	1,050,000	2,800,000	36	

* I₁ is the maximum breaking capacity test at voltage according to IEC 60269-1 and 2 requirements

1.7

NH Fuse bases and accessories - SD and TD

Overview

1.7 NH Fuse bases and accessories - SD and TD series

Description

NH fuse bases with thermoplastic bodies, DIN rail and/or screw mounting (size 4 screw mounting only). Range of accessories including phase barriers, IP20 finger-safe protection kits and neutral links available.

Microswitch also available for remote signaling of fuse link operation.

Catalogue numbers structure

- SD(size)-D, SD(size)-S: 1-pole
- TD(size)-D, TD(size)-DI: 3-pole.

Standards / approvals

- IEC 60269-1 and 2, VDE 0636-1 and 2.

Technical data

- Voltage: 690 V a.c.
- Current: 160 to 1600A
- Rated for fuse links with breaking capacity: 120 kA

Compatible fuse links

- NH 400, 500 and 690 V a.c. NH gG and aM fuse links

Packaging

- 1-pole: 3, SD4 and 3-pole: 1
- Packaging 100% recyclable

Features

- Complies with IEC 60269-1 and 2 fuse system A (NH base), manufacturers type test certificates of compliance available.
- 3-pole integral NH00 base available with reduced width.
- Clip-in phase barriers, terminal shrouds and fuse covers available.
- Vibration tested to IEC 60068-2-6 for marine use.



Fuse base catalogue numbers

Size	Poles	Current (amps)	Catalogue numbers		Pack quantity	Compatible fuse links size
			Din-rail and screw mounting	Screw mounting only		
00	1-pole	160	SD00-D	SD00-S	3	400/500/690 V NH gG and aM fuse links
	3-pole	160	TD00-D	N/A	1	
		160	TD00-DI*	N/A	1	
1	1-pole	250	SD1-D	SD1-S	3	
	3-pole	250	TD1-D	N/A	1	
2	1-pole	400	SD2-D	SD2-S	3	
		400	SD2-DD**	N/A	3	
	3-pole	400	TD2-D	N/A	1	
		400	TD2-DD**	N/A	1	
3	1-pole	630	SD3-D**	SD3-S	3	
	3-pole	630	TD3-D**	N/A	1	
4	1-pole	1250	N/A	SD4-S	1	
		1600	N/A	SD4-S1600	1	

* 3-pole integral base moulding.

** Double fuse contact clips.

NH Fuse bases and accessories - SD and TD

1.7

Technical data and accessories

Technical data

Fuse Base Catalogue Numbers		SD00-D TD00-D TD00-DI	SD1-D TD1-D	SD2-D TD2-D	SD3-D TD3-D	SD4-S	SD4-S1600
Base		Glass filled PBT					
Contacts		Silver plated copper					
Screw, nuts and washers		Zinc clear plated steel					
Derating temperature factors for maximum current	≤ 35°C	1	1	1	1	1	1
	40°C	0.95	0.95	0.95	0.95	0.95	0.95
	50°C	0.85	0.85	0.85	0.85	0.85	0.85
Maximum power acceptance		12W	32W	45W	60W	110W	145W
Degree of protection with covers fitted		IP20	IP20	IP20	IP20	-	-
Terminal screw		M8	M10	M10	M12	M16	M16
Maximum tightening torque terminal screw		10N•m	32N•m	32N•m	32N•m	56N•m	56N•m
Fixing	DIN-Rail	✓	✓	✓	✓	✗	✗
	Screw	✓	✓	✓	✓	✓	✓
With microswitch 16A/250V	Fuse operated signal	✓	✓	✓	✓	✗	✗
Operating temperature range		-20 to 70°C					
Storage temperature range		-40 to 80°C					

Solid links catalogue numbers

Size	Current (amps)	Catalogue numbers	Pack quantity
NH00	160	SDL-00	3
NH1	250	SDL-1	3
NH2	400	SDL-2	3
NH3	630	SDL-3	3



Solid link

Accessories

Fuse extraction handle

Size	Current (amps)	Catalogue numbers	Pack quantity
NH00-3	160 - 630	FEH	1



Fuse extraction handle

Shroud kits

Fuse base series	Fuse size	Current (amps)	Catalogue numbers	Description
SD1	NH1	250	SD12-SK	Kit includes 2 shrouds and 1 fuse cover
SD2	NH2	400	SD12-SK	
SD3	NH3	630	SD3-SK	



Shroud kit

1.7

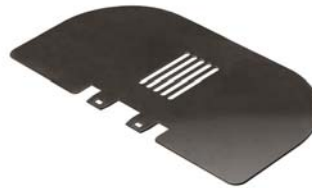
NH Fuse bases and accessories - SD and TD

Accessories

1.7

Phase barrier kit

Size	Current (amps)	Catalogue numbers	Pack quantity	Description
NH00	160	SD00-PB	1	2-Phase barriers
NH1	250	SD12-PB	1	2-Phase barriers and 2 ganging links
NH2	400	SD12-PB	1	
NH3	630	SD3-PB	1	



Phase barrier



Ganging link

IP protection kits



Size	Current (amps)	Catalogue numbers	Fuse cover	Shroud	Phase barrier	Ganging link	Integral kit	Description
NH00	160	TD00-IP20	3	6	2			Triple pole protection kit for TD00-D with shrouds, fuse covers and phase barriers
		TD00-IP20I					1	Integral triple pole protection kit for TD00-DI with molded shrouds and phase barriers
		TD00-IP20IC	3				1	Integral triple pole protection kit for TD00-DI with fuse covers and molded shrouds and phase barriers
NH1	250	TD1-IP20	3	6	2	2		Triple pole protection kit with terminal shrouds, fuse cover phase barriers and ganging links
NH2	400	TD2-IP20						
NH3	630	TD3-IP20						

TD00-IP20



TD00-IP20I



TD00-IP20IC



TD(size 1 to 3)-IP20



BVL50



170H0236



Microswitch

Catalogue Numbers	Pack Quantity	Ratings
BVL50	1	5 A 250 V a.c.
170H0235	12	2 A 250 V a.c.
170H0236	12	2 A 250 V a.c.
170H0238	12	2 A 250 V a.c.

NH Fuse body size - Suitable microswitch

Size 000	Size 00	Size 0	Size 01	Size 1	Size 02	Size 2	Size 03	Size 3	Size 4
170H0236	170H0236	170H0236	170H0235	170H0236	BVL50	170H0235	BVL50	170H0235	Not available
						170H0236			

Note: Microswitches fit onto the fuse gripping lugs and are applicable to all NH size Eaton's Bussmann series fuse links (except size 4)

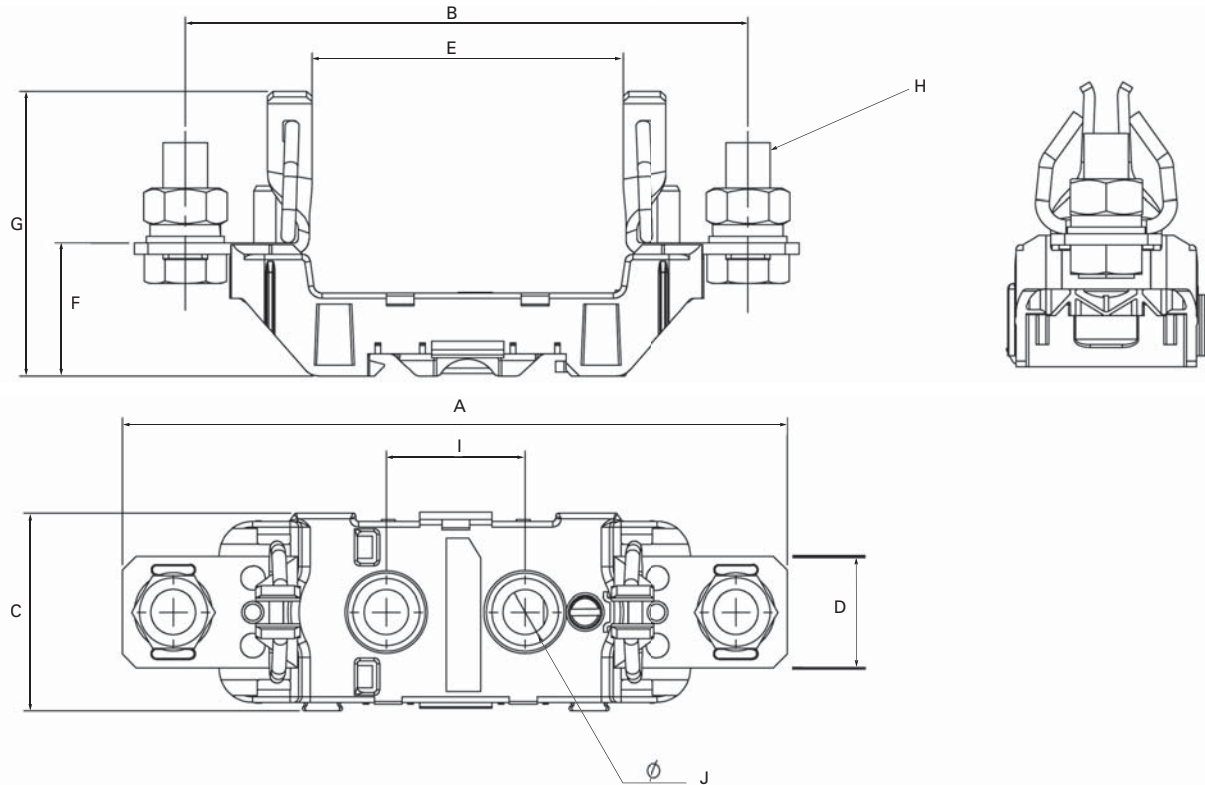
Data sheet 10163

NH Fuse bases and accessories - SD and TD

1.7

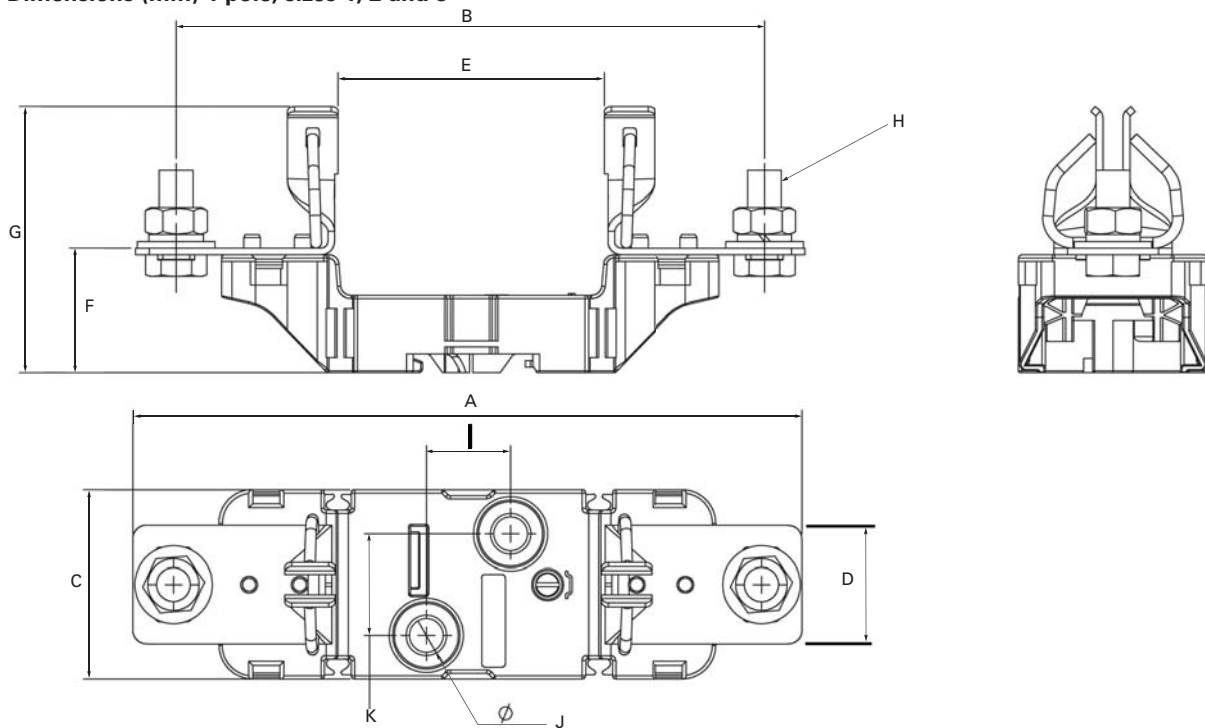
Dimensions - mm

Dimensions (mm) 1-pole, size 00



Size	Pole	A	B	C	D	E	F	G	H	I	J
NH00	1-pole	120	102	35.5	20	56	24	51	M8x20	25	8

Dimensions (mm) 1-pole, sizes 1, 2 and 3



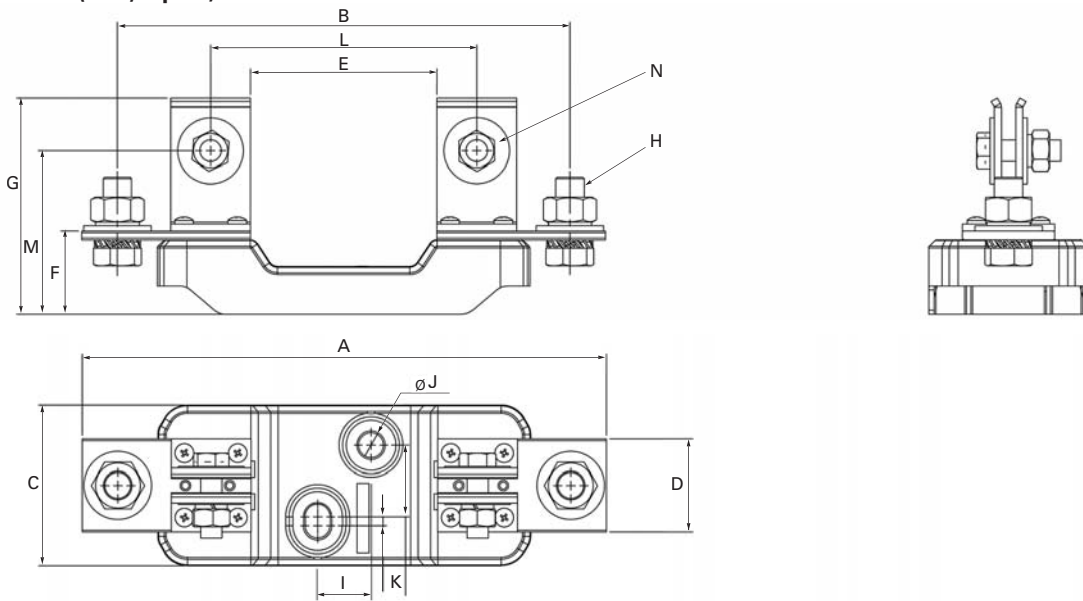
Size	Poles/Type	A	B	C	D	E	F	G	H	I	J	K
NH1	1-pole	199	175	56	35	79	37	78	M10x25	25	10	30
NH2	1 pole	224	199	56	35	79	37.5	86	M10x25	25	10	30
	1-pole double clip	223	199	56	35	82	37	79	M10x25	25	10	30
NH3	1-pole	239	209	56	36	82	37.5	88	M12x30	25	10	30

1.7 NH Fuse bases and accessories - SD and TD

Dimensions

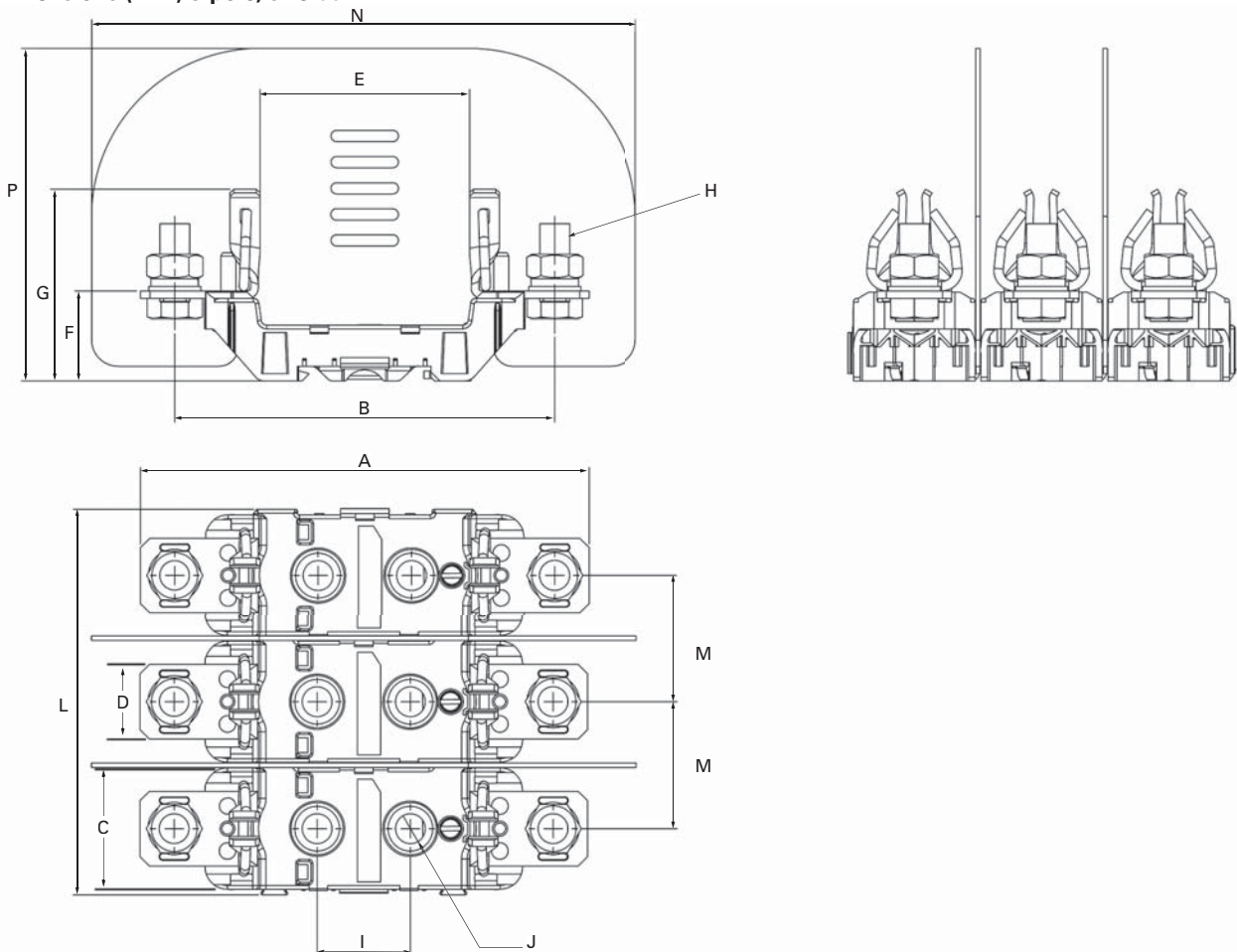
1.7

Dimensions (mm) 1-pole, size 4



Size	Poles/Type	A	B	C	D	E	F	G	H	I	J	K	L	M	N
NH4	1-pole 1250A	295	255	90	52	105	47	122	M16x40	30	14	40	150	92	M12x40
	1-pole 1600A	295	255	90	60	105	50	125	M16x40	30	14	40	150	92	M12x40

Dimensions (mm) 3-pole, size 00



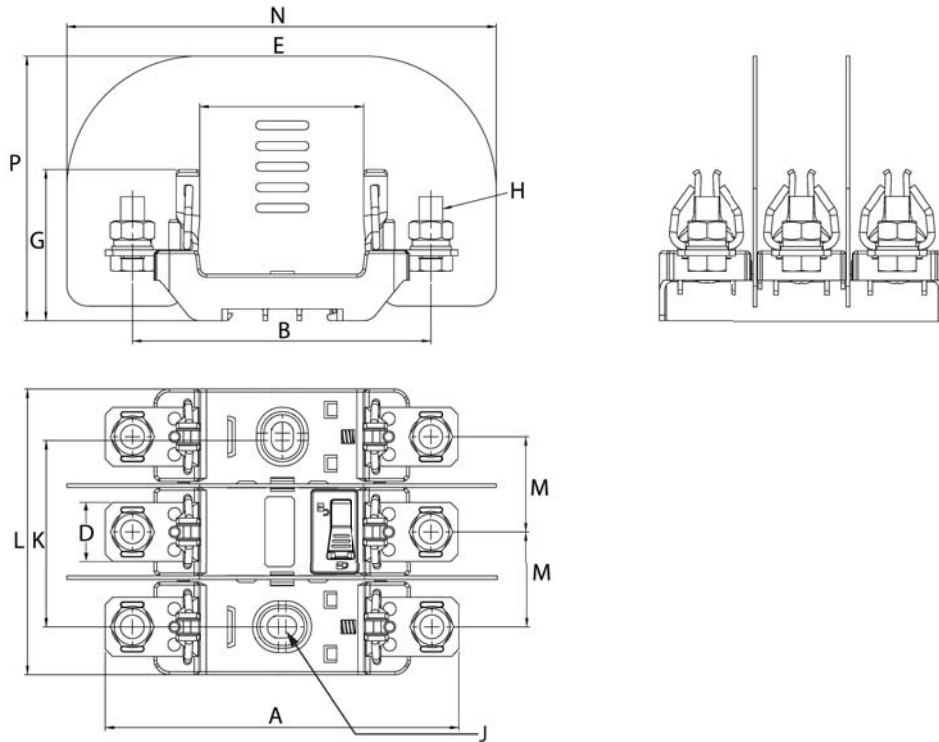
Size	Poles/Type	A	B	C	D	E	F	G	H	I	J	K	L	M	N	P
NH00	3-pole	120	102	35.5	20	56	24	51	M8x20	25	8	-	103.5	34	146	89

NH Fuse bases and accessories - SD and TD

1.7

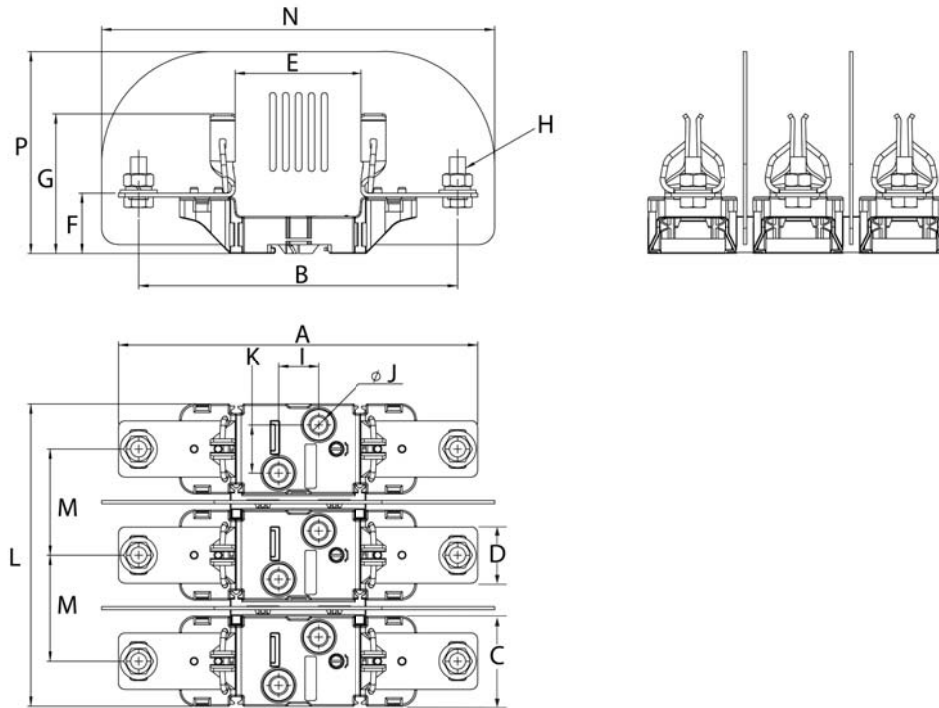
Dimensions - mm

Dimensions (mm) integral 3-pole, size 00



Size	Poles/Type	A	B	C	D	E	F	G	H	I	J	K	L	M	N	P
NH00	3-pole Integral	120	102	-	20	56	24	51	M8x20	-	7.5x10	63.5	97	32.3	146	90

Dimensions (mm) 3-pole, sizes 1, 2 and 3



Size	Poles/Type	A	B	C	D	E	F	G	H	I	J	K	L	M	N	P
NH1	3-pole	199	175	56	35	79	37	78	M10x25	25	10	30	188	66	245	125.5
NH2	3-pole	224	199	56	35	79	37.5	86	M10x25	25	10	30	188	66	245	125.5
	3-pole double clip	223	199	56	35	82	37	79	M10x25	25	10	30	188	66	245	125.5
NH3	3-pole	239	209	56	36	82	37.5	88	M12x30	25	10	30	221	82.5	260	137.5

1.8

NH Fuse rails - vertical - EBF

Overview

1.8

NH Fuse rails - vertical - EBF series

Description

Eaton's Bussmann series NH Fuse rails are specifically designed to be used with NH Fuse links. All energized metal parts are fully protected against accidental contact. They are intended for direct installation on horizontal or vertical busbar systems.

Functionality

- Designed for installation onto 185 mm busbar systems, sizes 00, 1, 2 and 3
- Fuse rail width: size 00 - 50 mm, size 2, 3 - 100 mm
- IP20 Touch protection
- EBF 00/100 mm fuse rails are designed for installation onto 100 mm busbar systems. Installation onto 185 mm busbar system is possible by using an adaptor

Catalogue numbers structure

- EBF

Standards/approvals

- IEC 60269-1 and CE.

Technical data

- Voltage: 690 V a.c.
- Current:
 - 160 A size 00
 - 400 A size 2
 - 630 A size 3

Compatible fuse links

- NH 400, 500 and 690 V NH gG and aM fuse links

Operating conditions

- Suitable for installation in environments free of any dust, explosive or aggressive gases.
- Altitude up to 2000 metre above sea level
- Can be used in outdoor environments if they are installed in IP34 cabinets
- Relative air humidity should not be higher than 50% temperature of +40°C
- Ambient temperature from -25°C to +55°C

Features

- Possible installation of various earthing devices
- Various options for cable terminations
- Wide range of accessories
- Touch protection IP20 with fuse shrouds

Packaging

- 1 per carton.



Size	Current (amps)	Busbar system	Catalogue numbers	Cable terminals	Pack quantity	Weight	Compatible fuse links size
Vertical fuse rail for NH Size 00							
00	160	100 mm*	EBF00230S8	Bridge terminals with bridge clamps (S) 4 - 70 mm ² , screw terminals with M8 screws	1	1 kg	00
			EBF00230V1	V-Terminals with V-Clamps 25 - 120 SW		1.1 kg	
			EBF00230V0	V Terminals without V-Clamps		1 kg	
		185mm	EBF00330S8	Bridge terminals with bridge clamps (S) 4 - 70 mm ² , screw terminals with M8 screws	1	2 kg	
			EBF00330V1	V-Terminals with V-Clamps 25 - 120 SW		2.2 kg	
			EBF00330V0	V Terminals without V-Clamps		2 kg	
Vertical fuse rail suitable for NH Size 1 and size 2 fuses							
2	400	185 mm	EBF2330V1	V-Terminals with V-Clamps (35 - 240 mm ²)	1	3.2 kg	1 and 2
			EBF2330M1	Screw terminals with pressed nuts M10 (M10 Screw)		3.1 kg	
			EBF2330W1	2V-Terminals with double V-Clamps (2 x 50 - 240 mm ²)		3.8 kg	
Vertical fuse rail suitable for NH Size 3 fuses							
3	630	185 mm	EBF3330V1	V-Terminals with V-Clamps (70 - 300 SW)	1	4 kg	3
			EBF3330M1	Screw terminals with pressed nuts M12 (M12 Screw)		3.1 kg	
			EBF3330W1	2V-Terminals with double V-Clamps (2 x 50 - 240 mm ²)		4.8 kg	

EBF 00 - 100 mm fuse rails are designed for installation onto 100 mm busbar systems.

Installation onto a 185 mm busbar system is possible by using an adaptor

NH Fuse rails - vertical - EBF

1.8

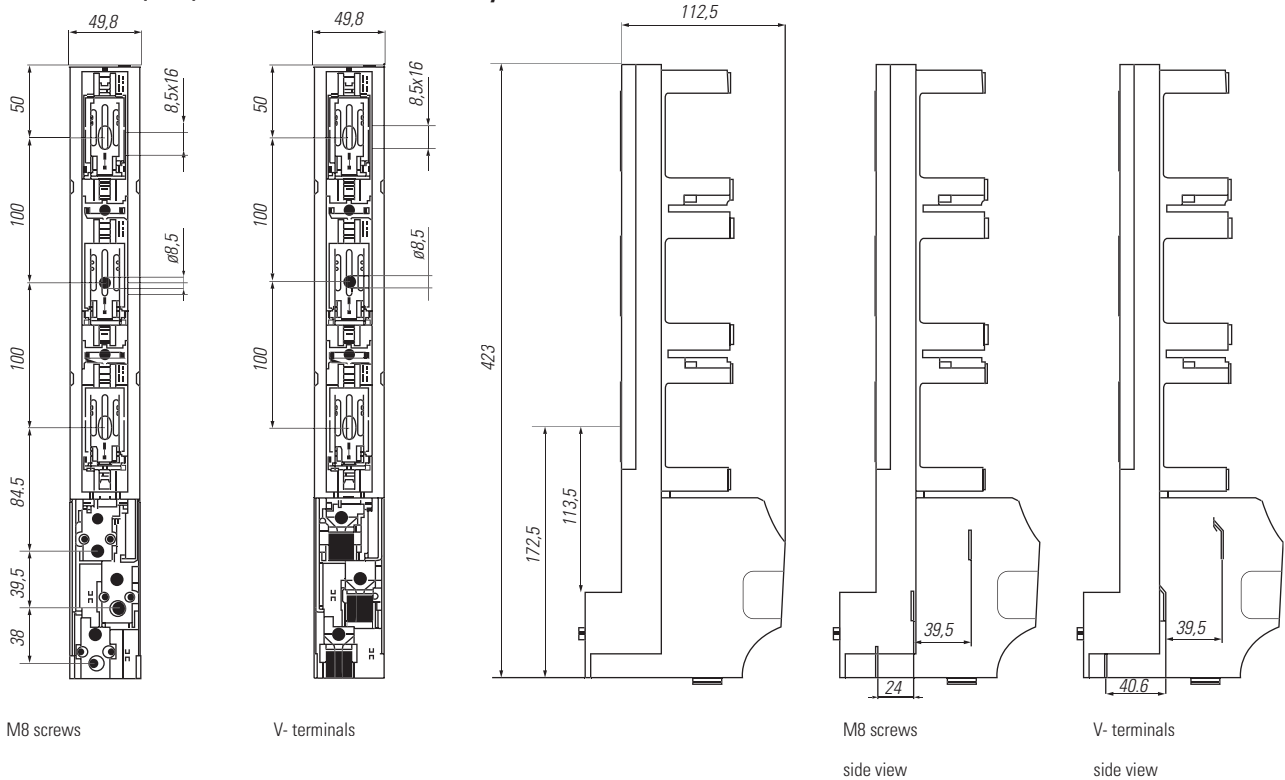
Technical data and dimensions

Technical data

Type		EBF 00 100 mm	EBF 00 185 mm	EBF 2	EBF3
Size		00	00	2	3
Rated thermal current $I_{th} = I_n$	A	160	160	400	630
Voltage U_n	V	690	690	690	690
Rated insulation voltage U_i	V	1000	1000	1000	1000
Rated frequency	Hz	50 - 60	50 - 60	50 - 60	50 - 60
Rated power dissipation	W	12	12	45	60
Rated short-circuit withstand current	kA	100	100	100	100
Mechanical durability	Number of cycles	100	100	100	100
Weight	kg	0.75	2	4.5	5
IP Degree of protection	IP	00	00	20 ¹	20 ¹
Size of fuse links		00	00	2	3

1 With fuse links shrouds

Dimensions (mm) - EBF 00 100 mm busbar system



1.8

NH Fuse rails - vertical - EBF

Dimensions - mm

1.8

Dimensions (mm) - EBF 00 185 mm busbar system



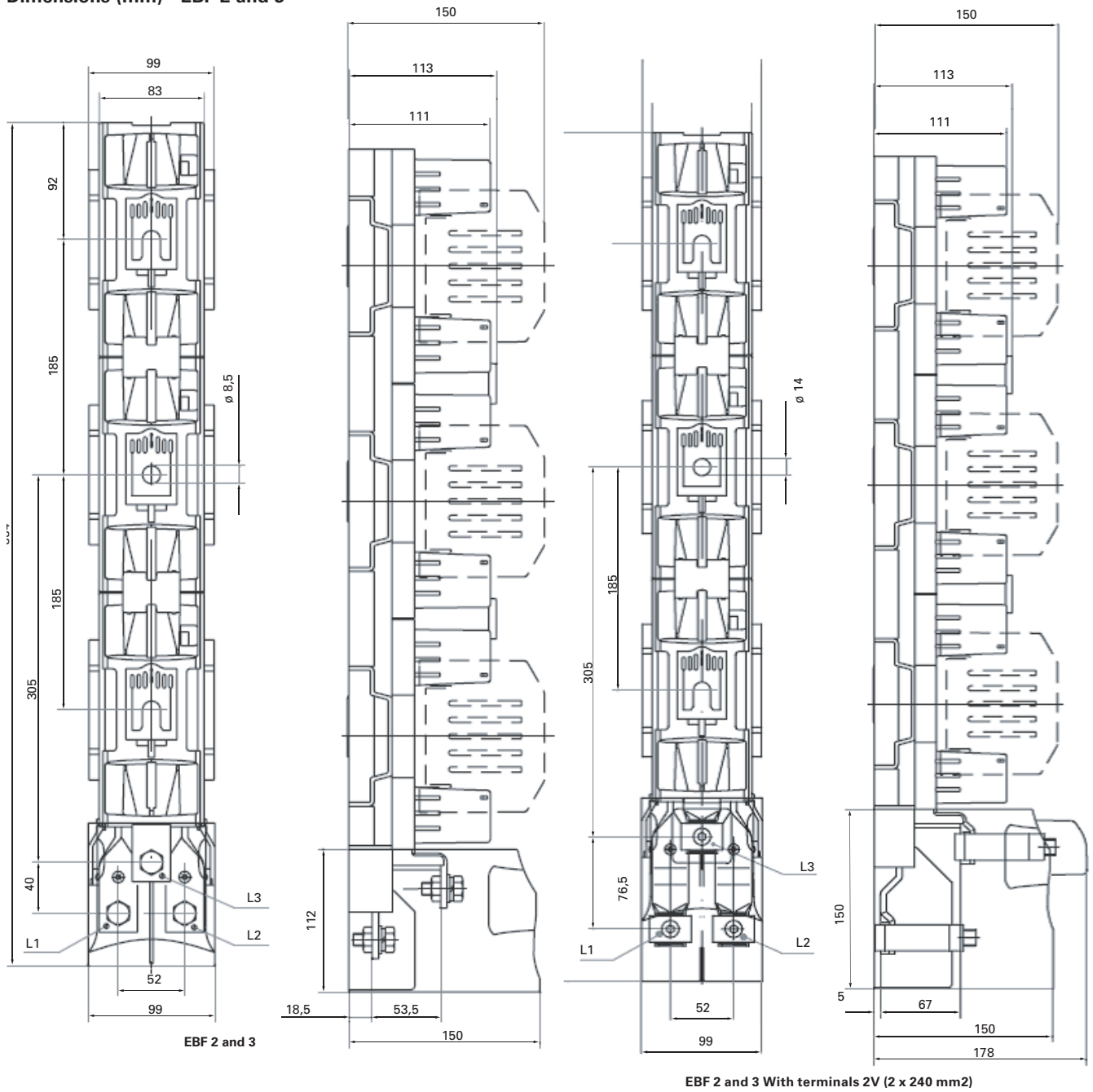
NH Fuse rails - vertical - EBF

1.8

Dimensions - mm

Dimensions (mm) - EBF 2 and 3

1.8



1.8

NH Fuse switch disconnectors - vertical - EBV

Overview

1.8

NH Fuse switch disconnectors - vertical - EBV series

Description

Eaton's Bussmann series NH Vertical fuse switch disconnectors are specifically designed to be used with NH fuse links. All energized metal parts are fully protected against accidental contact. They are suitable for direct installation on horizontal or vertical busbar systems. The three poles can be switched independently or simultaneously depending upon the version. These are manually operated switches and the making and breaking is dependent on the speed of the operation. The EBV series NH gear are provided complete with the clamps (i.e. screws/V-terminals/2V-terminals) and shrouds for cable termination.

Features

- Touch protection IP 30 from the front
- Top/bottom cable termination possibility
- Test holes provided on the cover to measure the voltage across the link
- Various options for cable terminations
- Wide range of accessories

Functionality

- Designed for installation onto 100 mm or 185 mm busbar system
- Making and breaking operation should be done with determined movement
- Parallel moving, double contact system
- Suitable for top cable termination connection

Catalogue numbers structure

- EBV (see table below)

Standards/approvals

- IEC 60947-1 and 3, EN 60947-1 and 3

Packaging

- 1 per carton

Technical data

- Voltage: 690 V a.c.
- Current: 160 to 910 A
- Utilisation category:
 - AC21B 690 V a.c. Size 3
 - AC22B 500 V a.c. Sizes 00 to 3
 - AC23B 400 V a.c. Size 00 to 3

Compatible fuse links

- NH 400, 500 and 690 V gG and aM fuse links

Busbar mounting options

- Size 00 NH gear are available in two versions suitable for installations onto 100 mm busbar and 185 mm busbar system. 100 mm rails can be installed on the 185 mm busbar system by using an adaptor
- Sizes 1,2 and 3 are suitable for installation onto 185 mm busbar system

Operating conditions

- Suitable for installation in environments free of any dust, explosive or aggressive gases
- Altitude up to 2000 metre above sea level
- Can be used in outdoor environments if they are installed in IP34 cabinets
- Relative air humidity should not be higher than 50% temperature of +40°C
- Ambient temperature from -25°C to +55°C



NH Fuse switch disconnectors - vertical - EBV

1.8

Catalogue numbers

Catalogue numbers

1.8

Size	Current (amps)	Busbar system	Catalogue numbers	Cable terminals	Pack quantity	weight	Compatible fuse links size
Vertical fuse switch disconnector for NH Size 00 for 100 mm busbar system - simultaneous 3 phase switching							
00	160	100	EBV0023TS8	Bridge terminals with bridge clamps (s) 4-70mm ² , screw terminals with M8 screws	1	1.3 kg	00
			EBV0023TV1	V-terminals with V-clamps 25-120SW		1.5 kg	
			EBV0023TV0	V-terminals, without V-clamps		1.3 kg	
Vertical fuse switch disconnector for NH Size 00 for 185 mm busbar system - each phase switching separately							
00	160	185	EBV0033SS8	Bridge terminals with bridge clamps (s) 4-70 mm ² , screw terminals with M8 screws	1	2.8 kg	00
			EBV0033SV1	V-terminals with V-clamps 25-120SW		2.9 kg	
			EBV0033SV0	V-terminals, without V-clamps		2.8 kg	
Vertical fuse switch disconnector for NH Size 00 for 185 mm busbar system - simultaneous 3 phase switching							
00	160	185	EBV0033TS8	Bridge terminals with bridge clamps (s) 4-70 mm ² , screw terminals with M8 screws	1	2.7 kg	00
			EBV0033TV1	V-terminals with V-clamps 25-120SW		2.8 kg	
			EBV0033TV0	V-terminals without V-clamps		2.7 kg	
Vertical fuse switch disconnector for NH Sizes 1 and 2 for 185 mm busbar system - each phase switching separately							
2	400	185	EBV233SV1	V-terminals with V-clamps 240 mm ²	1	5.8 kg	1 and 2
			EBV233SM1	Screw terminals with pressed nuts M10		5.7 kg	
			EBV233SW1	2V-terminals with double clamps 240 mm ²		6.4 kg	
			EBV233SV0	V-terminals without V-clamps		5.5 kg	
			EBV233SW0	2V-terminals without double V-clamps		6.9 kg	
Vertical fuse rail suitable for NH Sizes 1 and 2 fuses for 185mm busbar system - simultaneous 3 phase switching							
2	400	185	EBV233TV1	V-terminals with V-clamps 240 mm ²	1	5.8 kg	1 and 2
			EBV233TM1	Screw terminals with pressed nuts M10		5.7 kg	
			EBV233TW1	2V-terminals with double V-clamps 240 mm ²		6.4 kg	
			EBV233TV0	V-terminals without V-clamps		5.5 kg	
			EBV233TW0	2V-terminals without double V-clamps		6.9 kg	
Vertical fuse rail suitable for NH size 3 fuses for 185mm busbar system - each phase switching separately							
3	630	185	EBV333SV1	V-terminals with V-clamps 240 mm ²	1	6.6 kg	3
			EBV333SM2	Screw terminals with pressed nuts M12		6.5 kg	
			EBV333SW1	2V-terminals with double V-clamps 240mm ²		7.2 kg	
			EBV333SV0	V-terminals without V-clamps		6.3 kg	
			EBV333SW0	2V-terminals without double V-clamps		6.7 kg	
Vertical fuse rail suitable for NH size 3 fuses for 185 mm busbar system - simultaneous 3 phase switching							
3	630	185	EBV333TV1	V-terminals with V-clamps 240 mm ²	1	6.6 kg	3
			EBV333TM2	Screw terminals with pressed nuts M12		6.5 kg	
			EBV333TW1	2V-terminals with double V-clamps 240 mm ²		7.2 kg	
			EBV333TV0	V-terminals without V-clamps		6.3 kg	
			EBV333TW0	2V-terminals without double V-clamps		6.7 kg	

1.8

NH Fuse switch disconnectors - vertical - EBV

Technical and dimensions - mm

1.8 Technical data

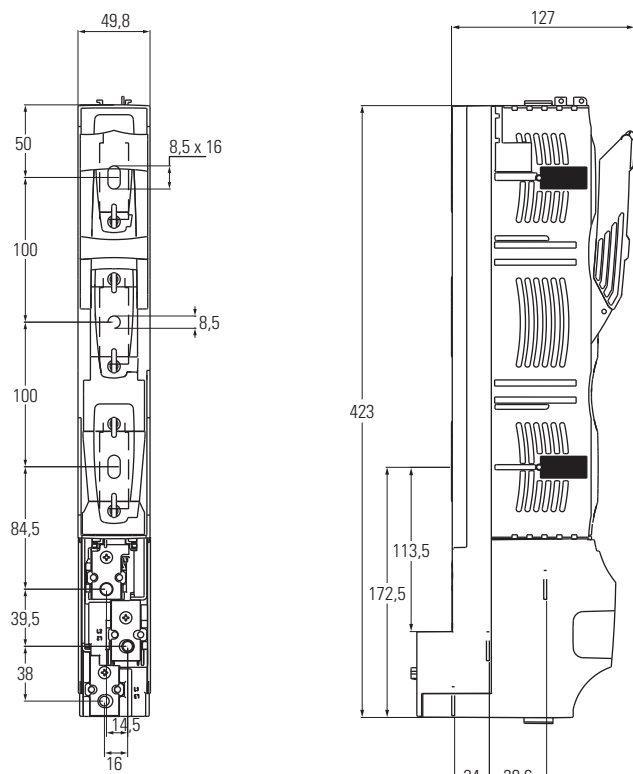
Type		EBV 00/ 100 mm	EBV 00	EBV 2	EBV 3
Rated thermal current with fuse links $I_{th} = I_n$	A	160	160	400	630
Rated thermal current with solid links I_{th}	A	N/A	N/A	600	750
Voltage U_n	V	690	690	690	690
Utilisation category	690 V a.c.	AC-22B	AC-22B	AC-22B	AC-21B
	500 V a.c.	N/A	N/A	N/A	AC-22B
	400 V a.c.	AC-23B	AC-23B	AC-23B	AC-23B
Rated switching current I_B	A	160	160	400	630
Rated short-circuit making current	690 V a.c.	25	80	100	80
	500 V a.c.	25	N/A	100	100
	400 V a.c.	25	100	100	100
Rated short-circuit withstand current	690 V a.c.	100	80	100	80
	500 V a.c.	100	N/A	100	100
	400 V a.c.	100	100	100	100
Rated insulation voltage U_i	V	1000	1000	1000	1000
Rated impulse withstand voltage U_{imp}	kV	8	12	12	12
Rated short time withstand current I_{cwt}	kA	N/A	N/A	12 ² / 15 ³)	14 ² / 16 ³)
Rated frequency	Hz	50/60	50/60	50/60	50/60
Mechanical durability	No. of cycles	1600	1600	1000	1000
Electrical durability		200	200	200	200
IP Rating	IP	30	20	30	30
Fuse links size		00	00	1, 2	3

1: fuse link gTr 630 kVA, DIN 43620, VDE 0636/2011 voltage

2: For disconnectors 1-phase disconnected

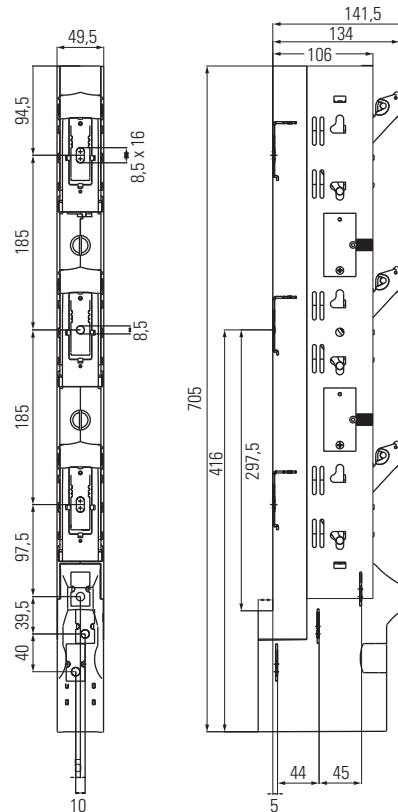
3: For disconnectors 3-phase disconnectors

Dimensions (mm) - EBV 00 100 mm



M8 screws

EBV 00 (each phase switching separately)



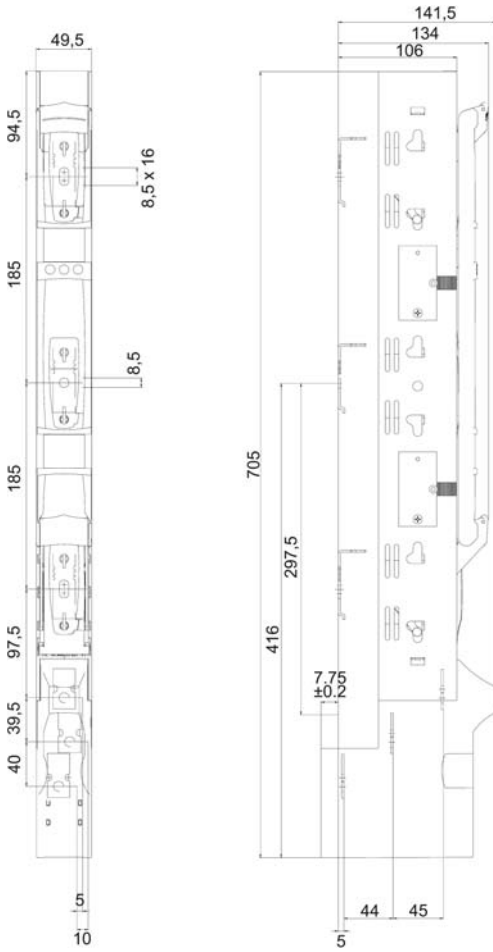
M10 screws

NH Fuse switch disconnectors - vertical - EBV

1.8

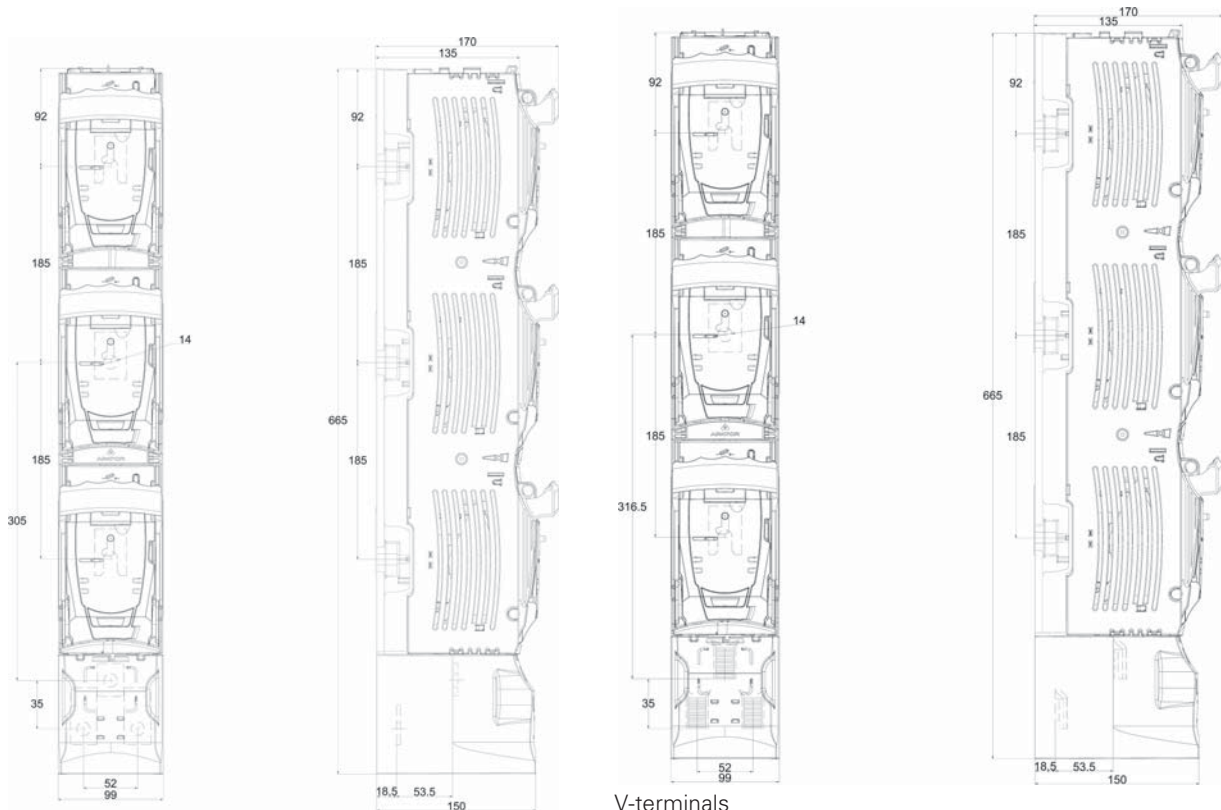
Dimensions - mm

Dimensions (mm) - EBV 00 (Three phase switching simultaneously)



1.8

Dimensions (mm) - EBV 2 (Each phase switching separately)



M12 screws

Data sheet 10275

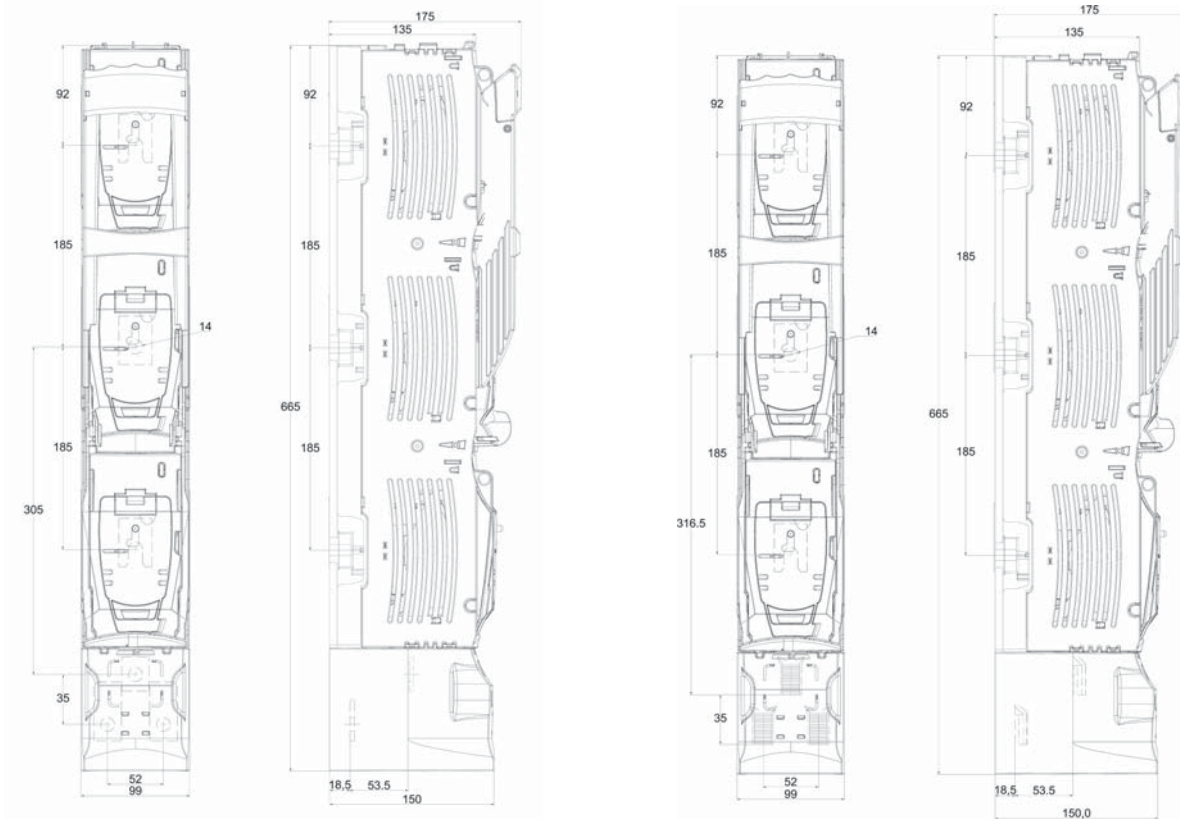
1.8

NH Fuse switch disconnectors - vertical - EBV

Dimensions - mm

1.8

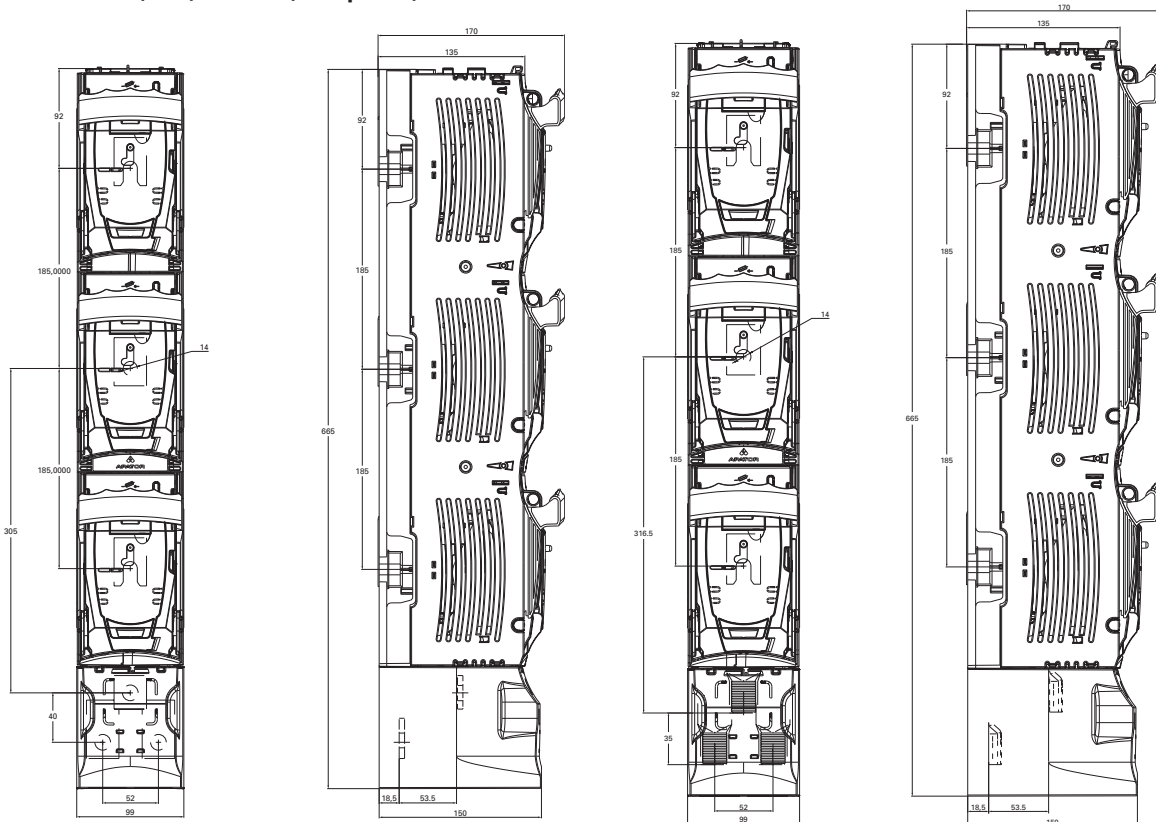
Dimensions (mm) - EBV 2 (Three phase switching simultaneously)



M12 Screws

V-Terminals

Dimensions (mm) - EBV 3 (One phase)



M12 Screws

V-Terminals

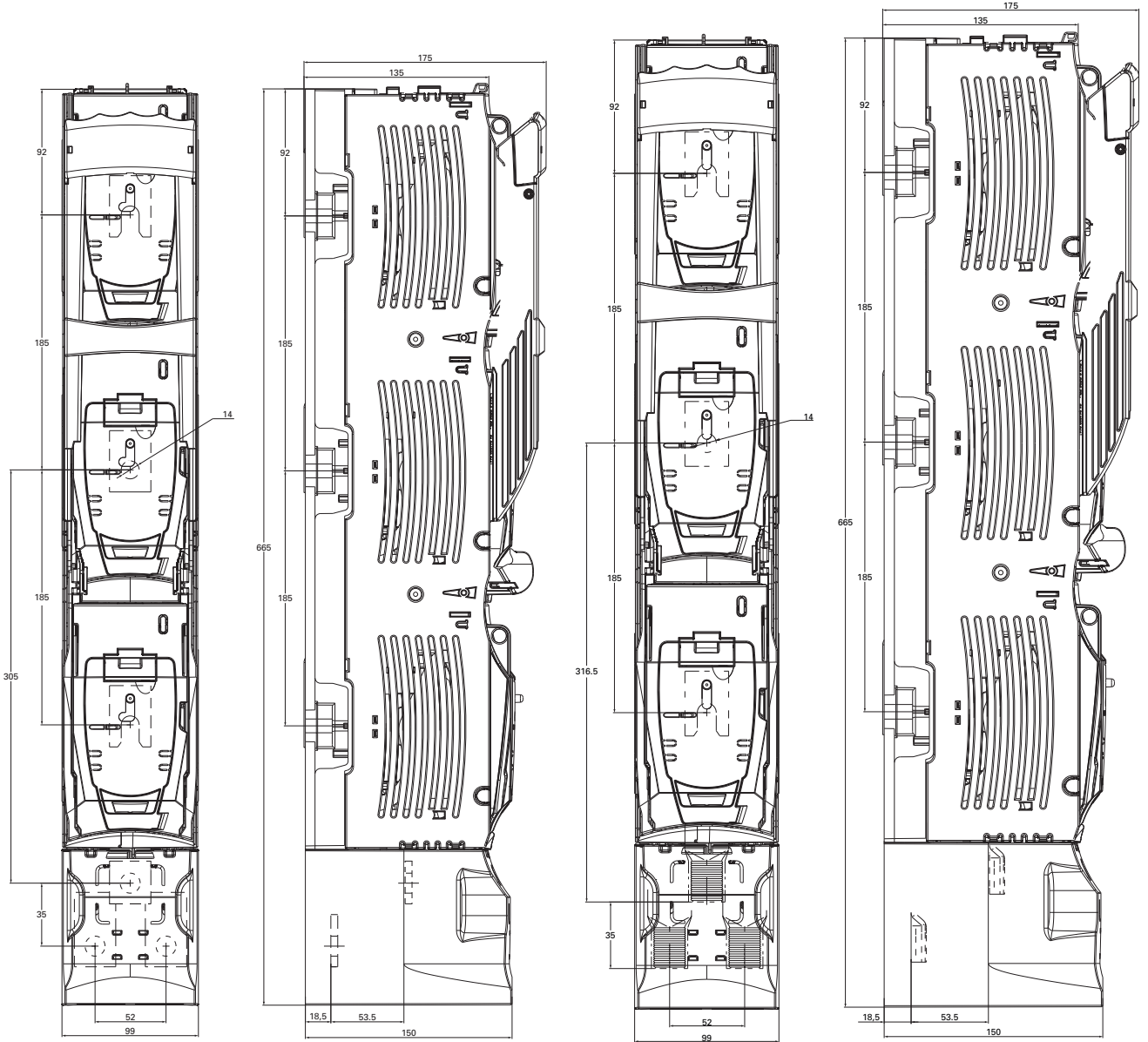
NH Fuse switch disconnectors - vertical - EBV

1.8

Dimensions - mm

Dimensions (mm) - EBV 3 (Three phase)

1.8



M12 Screws

V-Terminals

1.8

NH Fuse switch disconnectors - horizontal - EBH000

Overview

1.8

NH Fuse switch disconnectors - horizontal - EBH000

Description

Eaton's Bussmann series EBH000 NH Horizontal fuse switch disconnectors are specifically designed to be used with size 000 NH Fuse links up to 160 A. They have compact dimensions, all energized metal parts are fully protected against accidental contact. These are manually operated switches and the making and breaking is dependent on the speed of the operation.

Functionality

- Designed for installation onto mounting plates, 60 mm or 100 mm busbar systems
- Making and breaking operation should be done with determined movement
- Parallel moving, double contact system
- Suitable for top or bottom cable terminal connection

Features

- Touch for IP 30 from the front
- Top/bottom cable termination possibility
- Compact dimensions
- Test holes provided on the cover to measure the voltage across the link
- Various options for cable terminations
- Wide range of accessories

Catalogue numbers structure

- EBH000 O on mounting plates
- EBH000 1 on 60 mm busbar systems

Standards/approvals

- IEC 60947-1 and 3, EN 60947-1 and 3

Technical data

- Voltage: 690 V a.c.
- Current: 160 A
- Utilisation category:
 - AC21B
 - AC22B
 - AC23B
 - DC21B

Compatible fuse links

- Size 000 NH Fuse links up to 160 A

Packaging

- 1 per carton.

Mounting options

- On mounting plates: EBH000 O
- On to 60 mm busbar systems: EBH000 1

Operating conditions

- Suitable for installation in environments free of any dust, explosive or aggressive gases
- Altitude up to 2000 metres above sea level
- Can be used in outdoor environments if they are installed in IP34 cabinets
- Relative air humidity should not be higher than 50% temperature of +40°C
- Ambient temperature from -25°C to +55°C



NH Fuse switch disconnectors - horizontal - EBH000

1.8

Catalogue numbers and technical data

Catalogue numbers

1.8

Size	Current (amps)	Busbar system	Catalogue numbers	Cable terminals	Pack quantity	Compatible fuse links size
Horizontal fuse switch disconnector for NH size 000 up to 160 A for installation on mounting plates						
000	160	N/A	EBH00003TS5	for connection of round conductors - S-bridge clamps	1	000 up to 160 A
			EBH00003TS5-D	for connection of round conductors - S-bridge clamps, option to install on DIN rail		
			EBH00003TM8	for connection of round conductors with lug terminals - M8 screws		
			EBH00003TM8-D	for connection of round conductors with lug terminals - M8 screws, option to install on DIN rail		
			EBH00003TS5L	for connection of round conductors - S-bridge clamps, lengthened terminal shrouds		
			EBH00003TM8L	for connection of round conductors with lug terminals - M8 screws, lengthened terminal shrouds		
Horizontal fuse switch disconnector for NH size 000 up to 160 A for installation on 60 mm busbar						
000	160	60 mm	EBH00013TBS5	Cable terminal – bottom, for connection of round conductors - S-bridge clamps	1	000 up to 160 A
			EBH00013TTS5	Cable terminal – top, for connection of round conductors - S-bridge clamps		
			EBH00013TBM8	Cable terminal – bottom, for connection of conductors with lug terminals - M8 screws		
			EBH00013TTM8	Cable terminal – top, for connection of conductors with lug terminals - M8 screws		

Technical data

EBH 000						
Rated thermal current with solid links I_{th}	A	100/160				
Voltage U_n	V	690				
Utilisation category		AC-23B	AC-22B	AC-21B	DC-21B	
Rated switching current I_e	A	100	100	100	160	
Rated switching Voltage U_e	V	400	400	690	250	
Rated short circuit making current	690 V	100	100	100	100	
Rated short-circuit withstand current	690 V	25	25	25	25	
Rated insulation voltage U_i	V	1000	1000	1000	1000	
Rated power dissipation	W	12	12	12	12	
Rated impulse withstand voltage U_{imp}	kV	8	8	8	8	
Rated frequency	Hz	50-60	50-60	50-60	50-60	
Mechanical durability	Nb of cycles	2000	2000	2000	2000	
Electrical durability	Nb of cycles	300	300	300	300	
IP Rating		IP20	IP20	IP20	IP20	
Fuse links size		000	000	000	000	



DIN-Rail



Mounting plates



Busbar

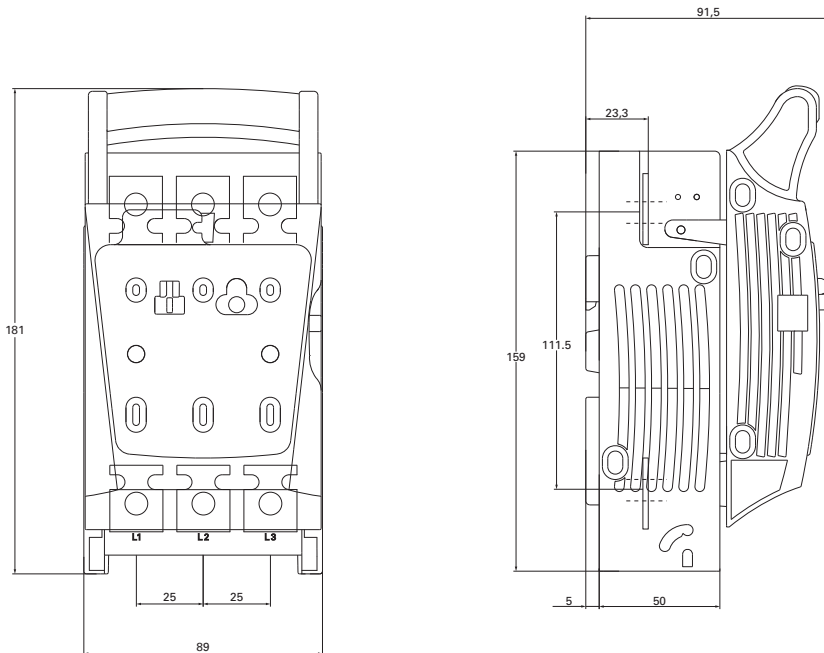
1.8

NH Fuse switch disconnectors - horizontal - EBH000

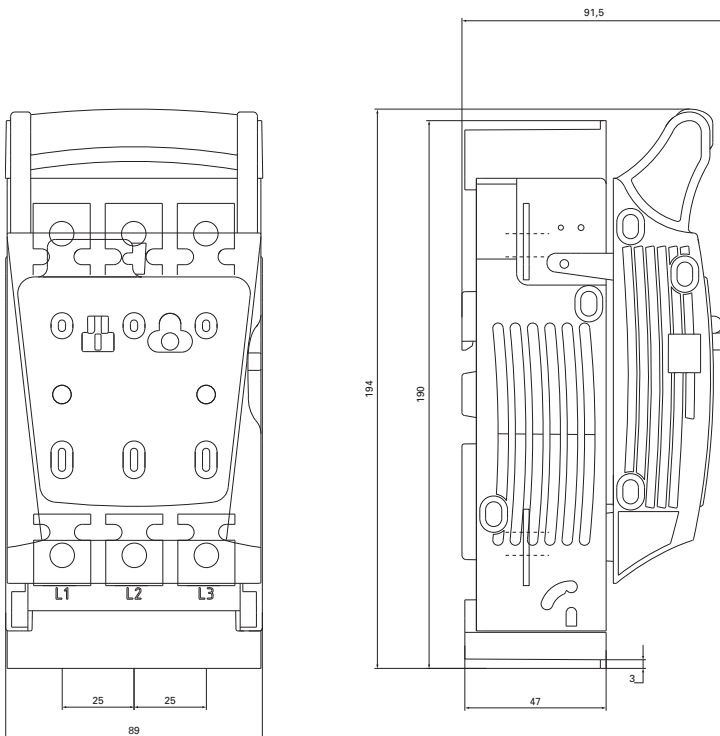
Dimensions - mm

1.8

Dimensions (mm) - EBH000

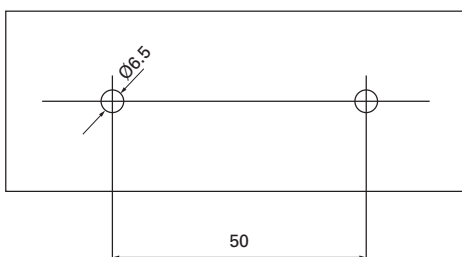


On mounting plates



With extended terminal shrouds

Dimensions and spacing of holes for installation on EBH000 O on mounting plates



Data sheet 10292

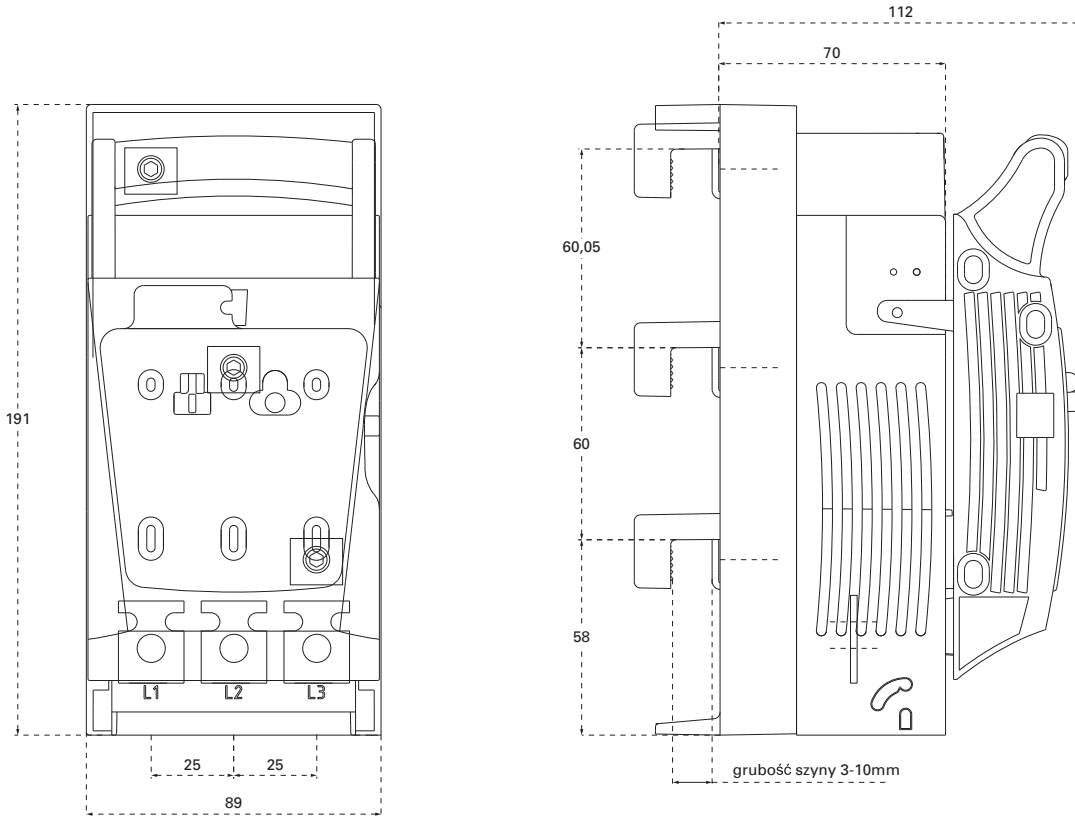
NH Fuse switch disconnectors - horizontal - EBH000

1.8

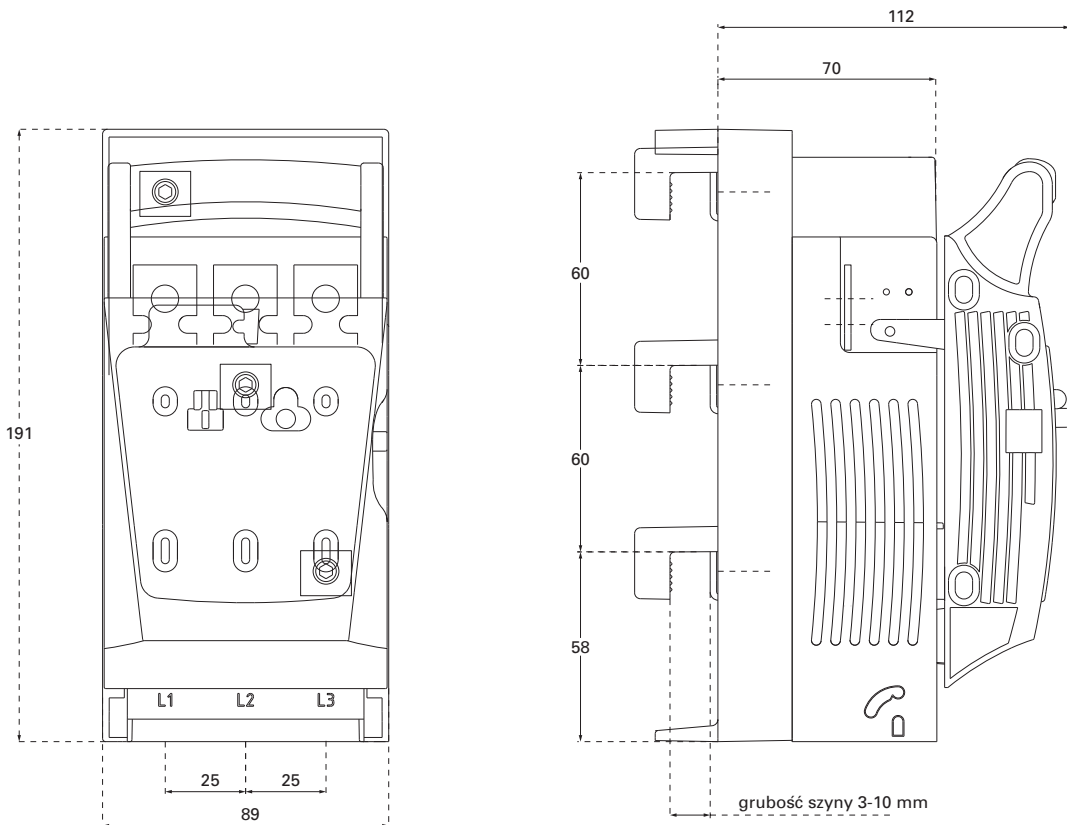
Dimensions - mm

Dimensions (mm) - EBH000 (60 mm busbar mounting)

1.8



Bottom cable terminal



Top cable terminal

1.8

NH Fuse switch disconnectors - horizontal - EBH00 to EBH4

Overview

1.8

Description

Eaton's Bussmann series NH horizontal fuse switch disconnectors are specifically designed to be used with NH fuse links. All energised metal parts are fully protected against accidental contact. These are manually operated switches and the making and breaking is dependent on the speed of the operation. The EBV series NH gear are provided complete with the clamps (i.e. screws/V-terminals/2V-terminals) and cable for shrouds for cable termination.

Functionality

- Designed for installation onto mounting plates, 60 mm or 100 mm busbar systems
- Making and breaking operation should be done with determined movement
- Parallel moving, double contact system
- Suitable for top or bottom cable terminal connection

Features

- Touch for IP 30 from the front
- Top/bottom cable termination possibility
- Test holes provided on the cover to measure the voltage across the link
- Various options for cable terminations
- Wide range of accessories)

Catalogue numbers structure

- EBH (see catalogue numbers table)

Standards/approvals

- IEC 60947-1 and 3, EN 60947-1 and 3

Technical data

- Voltage: 400, 500 and 690 V a.c.
- Current: 160 to 1600 A
- Utilisation category:
 - AC21B Size 4
 - AC22B Sizes 00 (V 120), 1-S, 3, 4
 - AC23B Sizes 00 to 2
 - DC21B Sizes 00, 2 and 3
 - DC21B Sizes 00, 1 and 2

Compatible fuse links

- NH 400, 500 and 690 V NH gG and aM fuse links

Packaging

- 1 per carton

Mounting options

- On mounting plates
 - EBH00 O, EBH1 O, EBH2 O, EBH3 O
- On to busbar systems
 - 60 mm busbar systems: EBH00 1, EBH1 1, EBH2 1 installation on to busbar system with hooked clamps
 - 100 mm busbar systems: EBH2 2, EBH1 2 installation on to busbar system with hooked clamps

Operating conditions

- Suitable for installation in environments free of any dust, explosive or aggressive gases
- Altitude up to 2000 metre above sea level
- Can be used in outdoor environments if they are installed in IP34 cabinets
- Relative air humidity should not be higher than 50% temperature of +40°C
- Ambient temperature from -25°C to +55°C



NH Fuse switch disconnectors - horizontal - EBH00 to EBH4

1.8

Catalogue numbers

Catalogue numbers

1.8

Size	Current (amps)	Busbar system	Catalogue numbers	Cable terminals	Pack quantity	Compatible fuse links size
Horizontal fuse switch disconnector for NH size 00 for installation on mounting plates						
00	160	N/A	EBH0003TS5	For connection of round conductors	1	00
			EBH0003TM8	For connection of conductors with lug terminals		
			EBH0003TV1	For connection of sector-shaped conductors		
			EBH0003TS5L	For connection of round conductors, lengthened terminal shrouds		
			EBH0003TM8L	For connection of conductors with lug terminals, lengthened terminal shrouds		
			EBH0003TV1L	For connection of sector-shaped conductors, lengthened terminal shrouds		
Horizontal fuse switch disconnector for NH size 00 for installation on 60 mm busbar						
00	160	60 mm	EBH0013TBM8	Cable terminal - bottom, for connection of conductors with lug terminals	1	00
			EBH0013TTM8	Cable terminal - top, for connection of conductors with lug terminals		
			EBH0013TBF	Cable terminal - top, for connection of conductors with bare ends		
			EBH0013TTF	Cable terminal - bottom, for connection of conductors with bare ends frame clamps		
Horizontal fuse switch disconnector for NH size 1 for installation on mounting plates						
1	250	N/A	EBH103TS8	For connection of round conductors - S-bridge clamps	1	1
			EBH103TM1	For connection of conductors with lug terminals - screws		
			EBH103TV1	For connection of sector-shaped conductors V-clamps		
			EBH103TVS	For connection of round conductors, top terminals, V-terminals, bottom terminals, S-bridge terminals		
			EBH103TVM	For connection of round conductors, top terminals, V-terminals, bottom terminals, screw terminals		
			EBH103TSV	For connection of round conductors, top terminals, S-bridge terminals, bottom terminals, V-terminals		
			EBH103TMV	For connection of round conductors, top terminal, screw terminals, bottom terminals, V-terminals		
Horizontal fuse switch disconnector for NH size 1 for installation on 60 mm busbar						
1	250	60 mm	EBH113TTS8	Top cable terminals, for connection of round conductors, S-bridge clamps	1	1
			EBH113TBS8	Bottom cable terminals, for connection of round conductors, S-bridge clamps		
			EBH113TBM1	Bottom cable terminals, for connection of conductors with lug terminals - screws		
			EBH113TTV1	Top cable terminals, for connection of sector-shaped conductors - V-clamps		
			EBH113TBV1	Bottom cable terminals for connection of sector-shaped conductors - V-clamps		
Horizontal fuse switch disconnector for NH size 1 for installation on 100 mm busbar						
1	250	100 mm	EBH123TTS8	Top cable terminals, for connection of round conductors	1	1
			EBH123TBS8	Bottom cable terminals, for connection of round conductors - S-bridge clamps		
			EBH123TTM1	Top cable terminals, for connection of conductors, with lug terminals - screws		
			EBH123TBM1	Bottom cable terminals, for connection of conductors, with lug terminals - screws		
			EBH123TTV1	Top cable terminals, for connection of sector shaped conductors - V-clamps		
			EBH123TBV1	Bottom cable terminals for connection		
Horizontal fuse switch disconnector for NH size 2 for installation on mounting plates						
2	400	N/A	EBH203TS8	For connection of round conductors - S-bridge clamps	1	2
			EBH203TM1	For connection of conductors with lug terminals - M10 screws		
			EBH203TV1	For connection of sector-shaped conductors - V-clamps		
			EBH203TW1	For connection of sector-shaped conductors - double V-clamps		
Horizontal fuse switch disconnect for NH size 2 for installation on 60 mm busbar						
2	400	60	EBH213TBM1	Bottom cable terminals, for connection of conductors with lug terminals, M10 screws	1	2
			EBH213TTM1	Top cable terminals, for connection of conductors with lug terminals, M10 screws		
			EBH213TBV1	Bottom cable terminals, for connection of sector-shaped conductors, V-clamps		
			EBH213TTV1	Top cable terminals, for connection of sector shaped conductors, V-clamps		
			EBH213TBW1	Bottom cable terminals, for connection of sector shaped conductors, double V-clamps		
			EBH213TTW1	Top cable terminals, for connection of sector shaped conductors, double V-clamps		

1. Please contact Eaton's Bussmann series application engineers to discuss specific requirements.

1.8

NH Fuse switch disconnectors - horizontal - EBH00 to EBH4

Catalogue numbers and technical data

1.8

Catalogue numbers

Size	Current (amps)	Busbar system	Catalogue numbers	Cable terminals	Pack quantity	Compatible fuse links size
Horizontal fuse switch disconnector for NH size 2 for installation on 100 mm busbar						
2	400	100 mm	EBH223TBM1	Bottom cable terminals, for connection of conductors with lug terminals, M10 screws	1	2
			EBH223TTM1	Top cable terminals, for connection of conductors with lug terminals, M10 screws		
			EBH223TBV1	Bottom cable terminals, for connection of sector shaped conductors, V-clamps		
			EBH223TTV1	Top cable terminals, for connection of sector shaped conductors, V-clamps		
			EBH223TBW1	Bottom cable terminals, for connection of sector shaped conductors, double V-clamps		
			EBH223TTW1	Top cable terminals, for connection of sector shaped conductors, double V-clamps		
Horizontal fuse switch disconnector for NH size 3 for installation on mounting plates						
3	630	N/A	EBH303TS8	For connection of round conductors, S-bridge clamps	1	3
			EBH303TM2	For connection of conductors with lug terminals, M12 screws		
Horizontal fuse switch disconnector for NH size 3 for installation on 60 mm busbar						
3	630	60 mm	EBH313TM2	For installation on to 60 mm busbar system, top/bottom cable terminals, M12 screws	1	3
Horizontal fuse switch disconnector for NH size 4 for installation on mounting plates						
4a	1250	N/A	EBH403TM2-12	Three phase switching simultaneously	1	4
	1600		EBH403TM2-16	Three phase switching simultaneously		
	1250		EBH403SM2-12	Each phase switching simultaneously		
	1600		EBH403SM2-16	Each phase switching simultaneously		

Technical data - sizes 00, 1 and 2

		EBH 00			EBH 1			EBH 2		
Rated thermal current with solid links I_{th}	A	160			250			400		
Voltage U_n	V	690			690			690		
Utilisation category		AC-23B	DC-21B	DC-22B	AC-23B	AC-22B	DC-22B	AC-23B	DC-21B	DC-22B
Rated switching current I_g	A	160	160	160	250	250	250	400	400	400
Rated switching Voltage U_g	V	690	440	250	400	690	250	690	440	220
Rated short circuit making current	690 V	80	20	20	80	80	25	80	15	20
	400 V	100	20	20	100	100	25	100	15	20
Rated short-circuit withstand current	690 V	80	20	20	80	80	25	80		
	400 V	100	20	20	100	100	25	100		
Rated insulation voltage U_i	V	1000			1000			1000		
Rated power dissipation	W	12			32			45		
Rated impulse withstand voltage U_{imp}	kV	8			8			12		
Rated frequency	Hz	50-60	N/A	N/A	50-60	50-60	N/A	50-60	N/A	N/A
Mechanical durability	No of cycles	1600			1600			1000		
Electrical durability		200			200			200		
IP Rating	IP	20			30			20		
Weight	kg	0.7, 0.9			2.5			3 / 4.5		
Fuse links size		00			1			2		

NH Fuse switch disconnectors - horizontal - EBH00 to EBH4

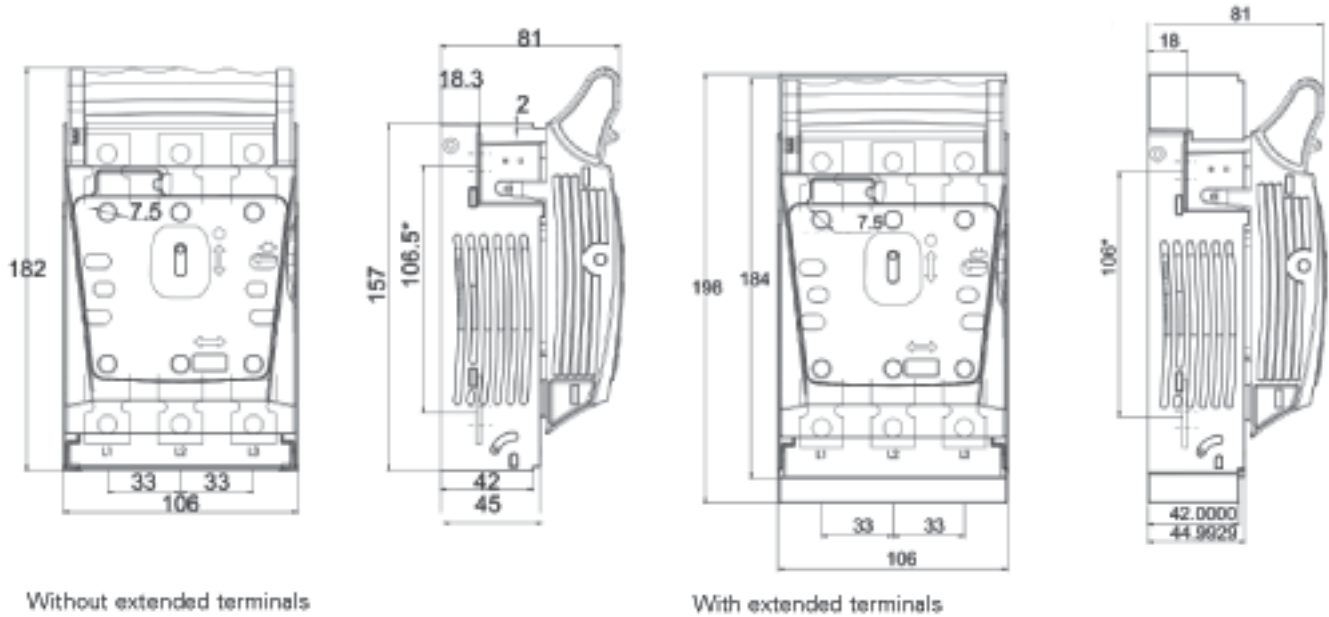
1.8

Technical data and dimensions - mm

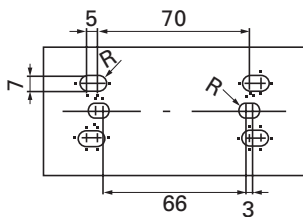
Technical data - sizes 3 and 4a

		EBH 3		EBH4a	
Rated thermal current with solid links I_{th}	A	630		1250	1600
Voltage U_n	V	690		500	400
Utilisation category		AC-22B	DC-21B	AC-22B	AC-21B
Rated switching current I_p	A	630	630	1250	1600
Rated switching Voltage U_p	V	690	250	500	400
Rated short circuit making current	690 V	100	100		
	400 V	100	100		
Rated short-circuit withstand current	690 V	25			
	400 V	25		50	
Rated insulation voltage U_i	V	1000		800	
Rated power dissipation	W	60			
Rated impulse withstand voltage U_{imp}	kV	12		8	
Rated frequency	Hz	50-60	N/A	50-60	
Mechanical durability	No of cycles	1000			
Electrical durability		200			
IP Rating	IP	20			
Weight	kg	5 / 5.9			
Fuse links size		3		4a	

Dimensions (mm) for EBH00 suitable for installation on mounting plates



Dimensions and spacing holes for installation on mounting plates



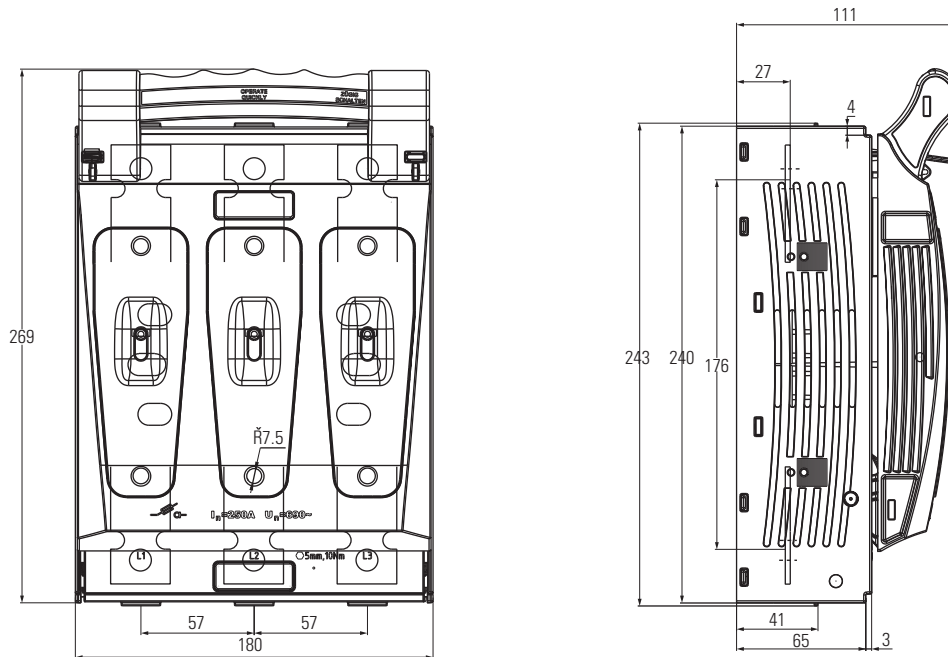
1.8

NH Fuse switch disconnectors - horizontal - EBH00 to EBH4

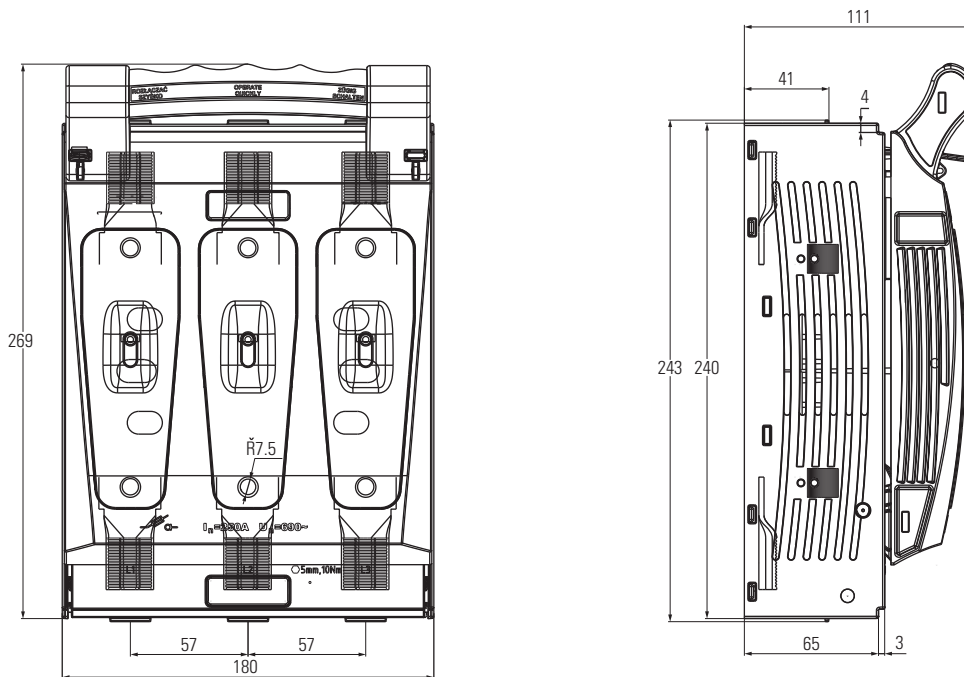
Dimensions - mm

1.8

Dimensions (mm) for EBH1 suitable for installation on mounting platess

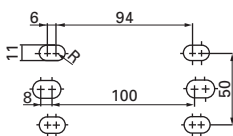


Screw terminals



V Clamps

Dimensions and spacing holes for installation on mounting platess



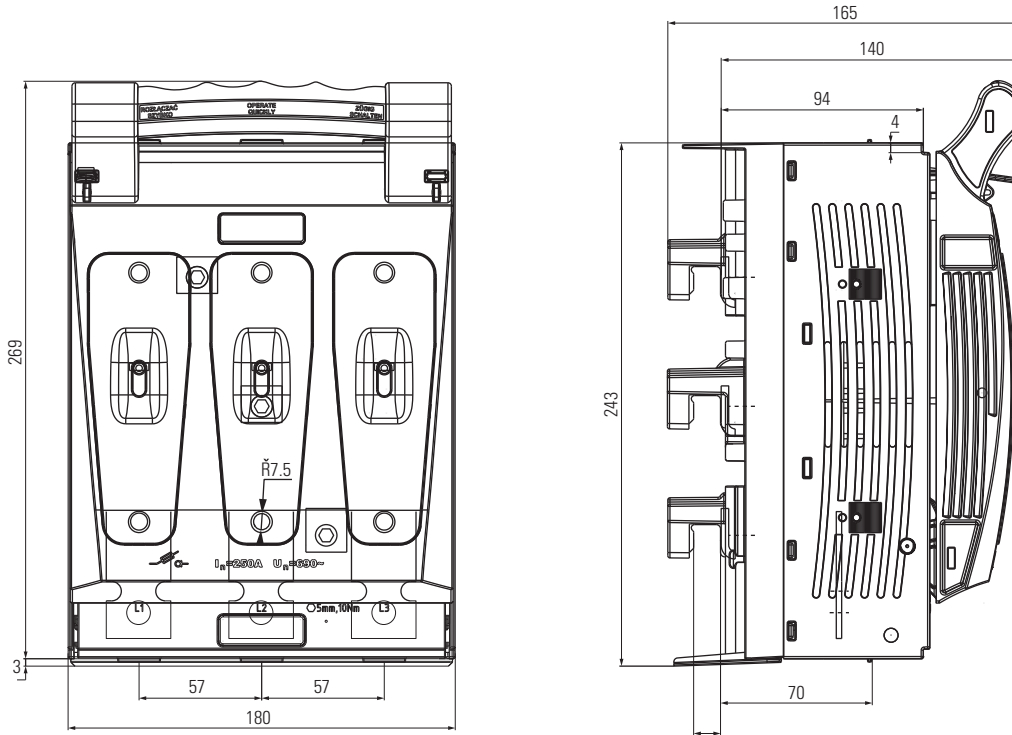
NH Fuse switch disconnectors - horizontal - EBH00 to EBH4

1.8

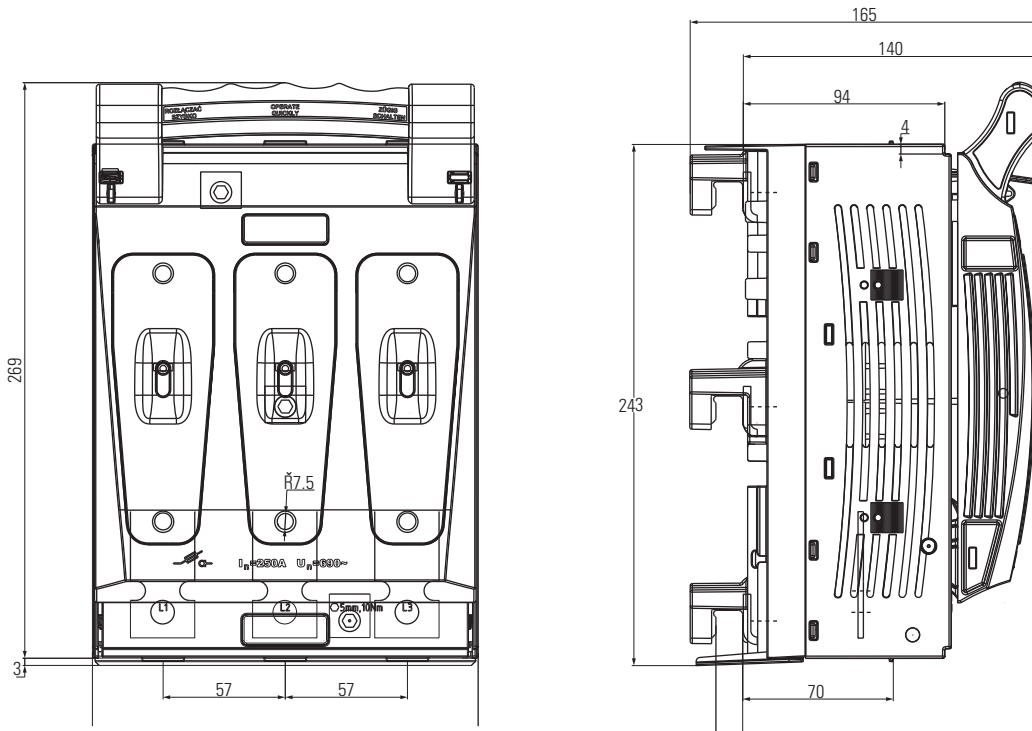
Dimensions - mm

Dimensions (mm) for EBH1 suitable for installation on 60 mm busbar

1.8



Dimensions (mm) for EBH1 suitable for installation on 100 mm busbar



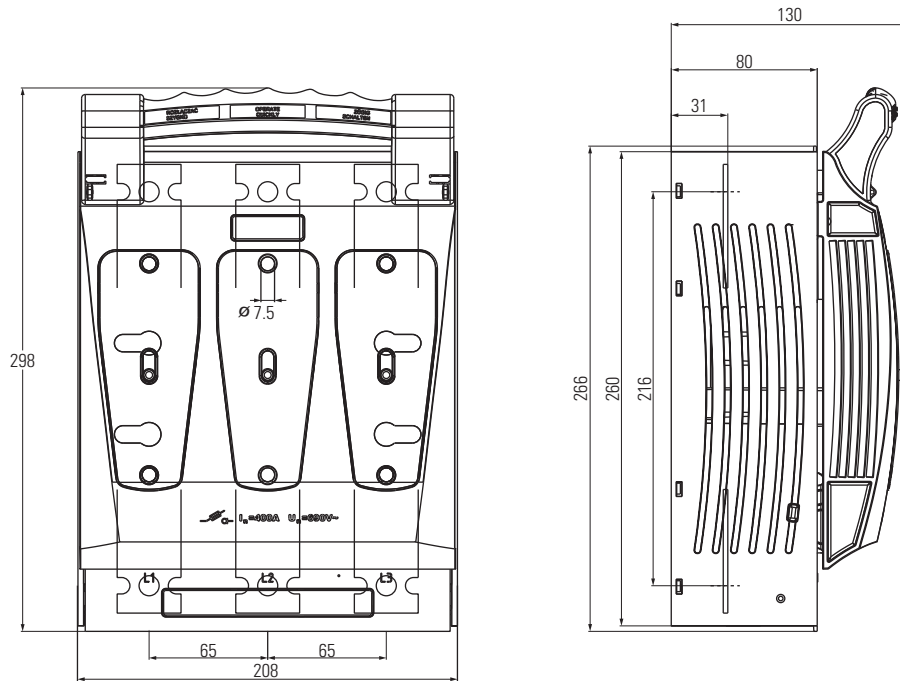
1.8

NH Fuse switch disconnectors - horizontal - EBH00 to EBH4

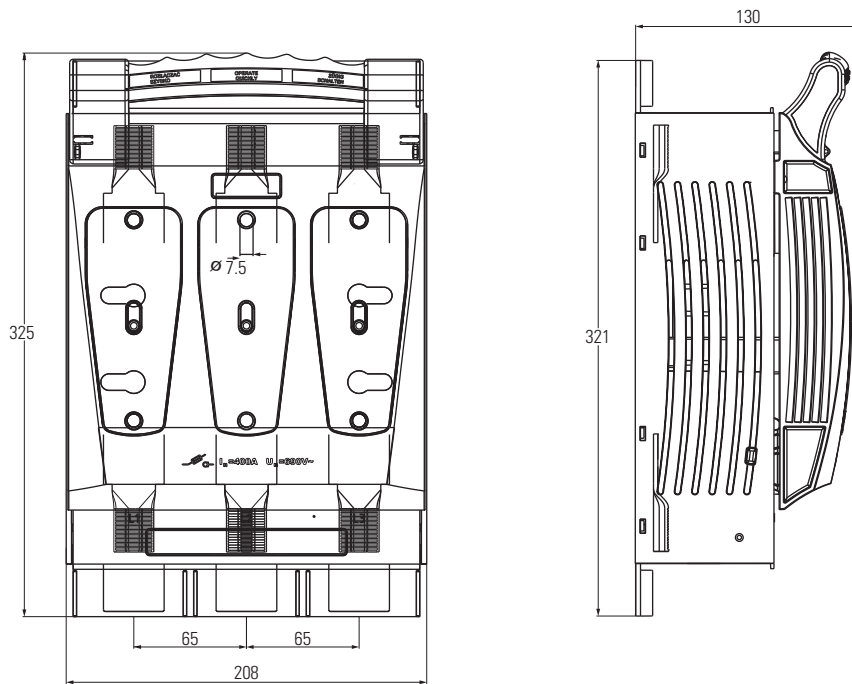
Dimensions - mm

1.8

Dimensions (mm) for EBH2 suitable for installation on mounting platess

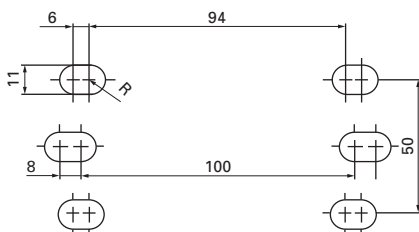


Screw Terminals



V Terminals

Dimensions and spacing holes for installation on mounting platess



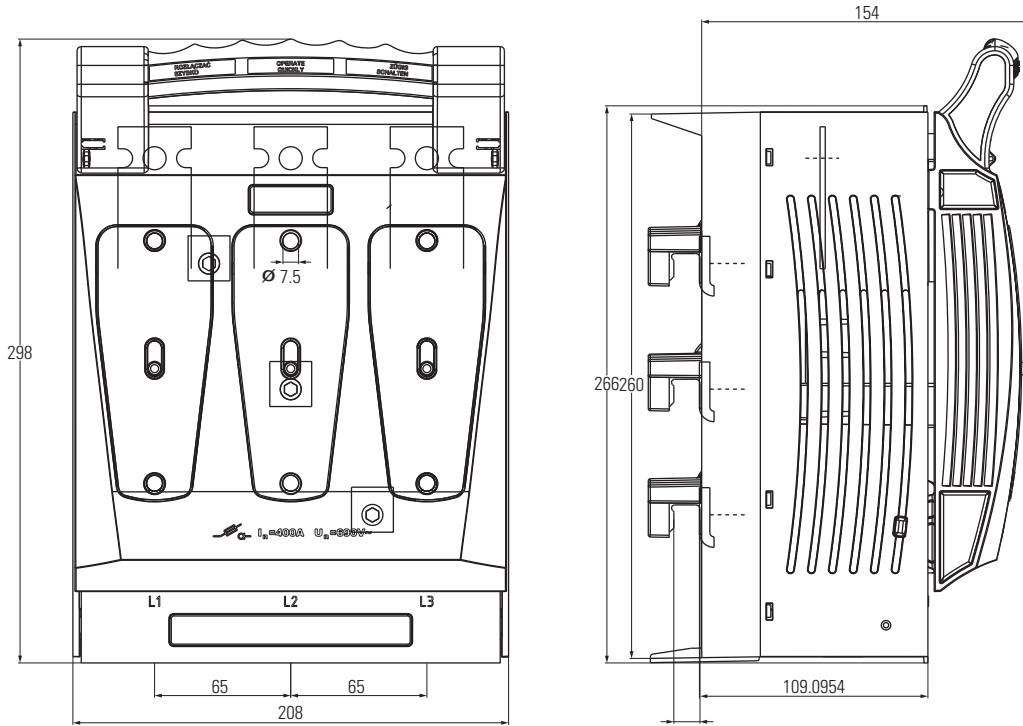
NH Fuse switch disconnectors - horizontal - EBH00 to EBH4

1.8

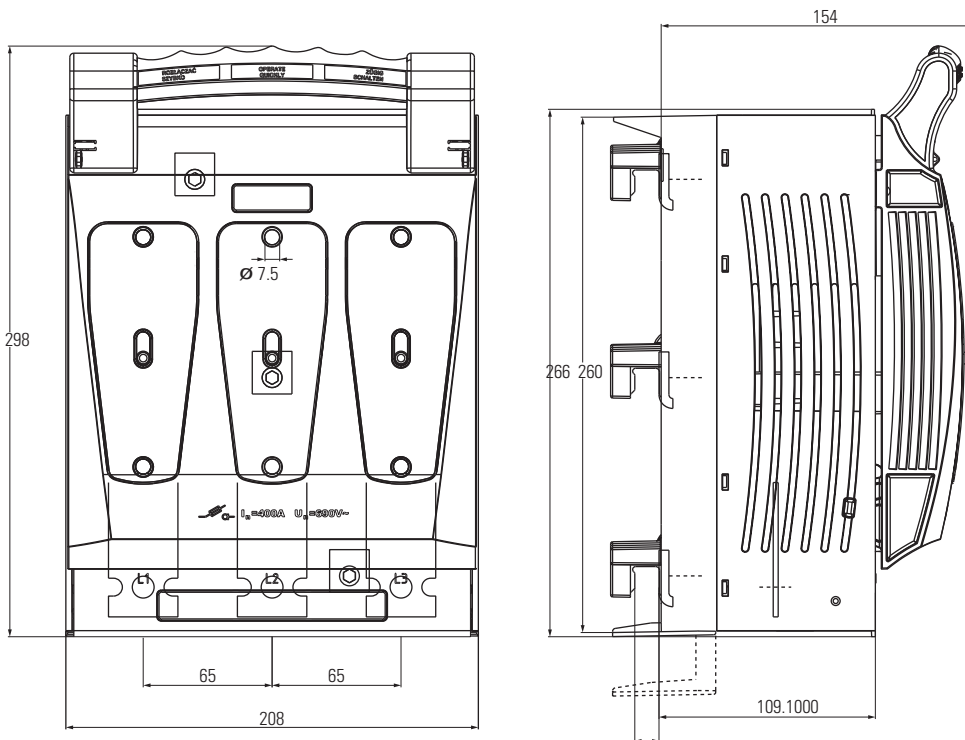
Dimensions - mm

Dimensions (mm) for EBH2 suitable for installation on 60 mm busbar

1.8



Dimensions (mm) for EBH2 suitable for installation on 100 mm busbar



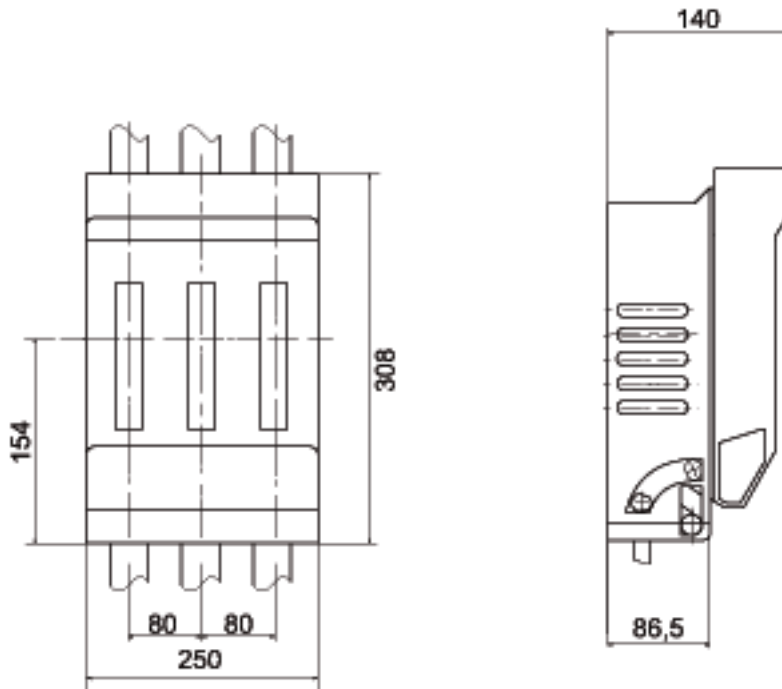
1.8

NH Fuse switch disconnectors - horizontal - EBH00 to EBH4

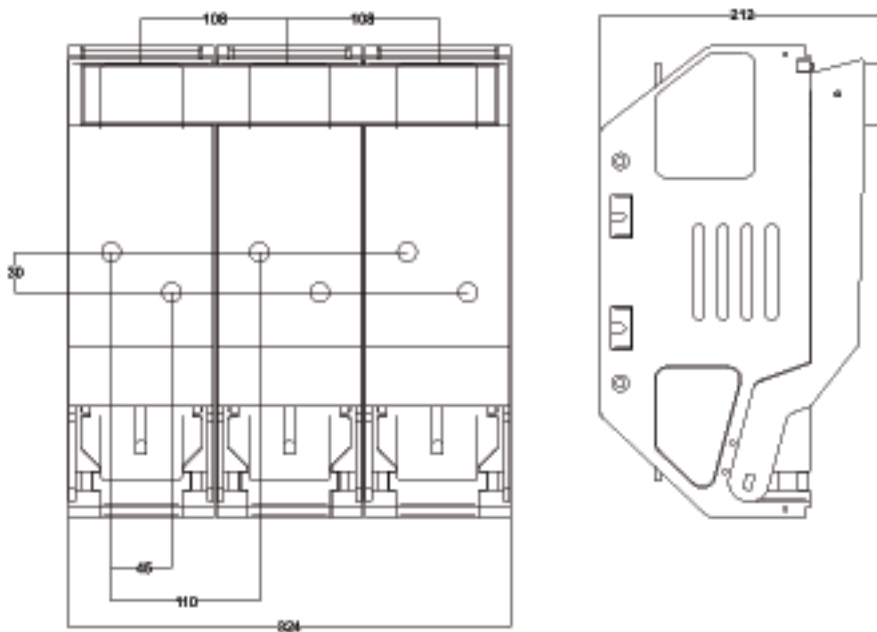
Dimensions - mm

1.8

Dimensions (mm) for EBH3



Dimensions (mm) for EBH4



Index - by catalogue numbers

Catalogue number	Size	Voltage	Class	Type	Page
170H0235	N/A	250	N/A	Microswitch	66
170H0236	N/A	250	N/A	Microswitch	66
170H0238	N/A	250	N/A	Microswitch	66
BVL50	N/A	250	N/A	Microswitch	66
EBF	00 to 3	690	N/A	NH Fuse rails - vertical	70-73
EBH00 to 4	00 to 4	400, 500, 690	N/A	NH Fuse disconnecter - horizontal	84-91
EBH000	000	690	N/A	NH Fuse disconnecter - horizontal	80-83
EBV	N/A	690	N/A	NH Fuse disconnecter - vertical	74-79
FEH	N/A	N/A	N/A	Fuse extraction handle	65
NHFF000BI-400	000	400	gFF	NH Fuse - IMGL	23
NHFF00BI-400	00	400	gFF	NH Fuse - IMGL	24
NHFF02BI-400	02	400	gFF	NH Fuse - IMGL	26
NHFF1BI-400	1	400	gFF	NH Fuse - IMGL	25
NHFF2BI-400	2	400	gFF	NH Fuse - IMGL	27
NHFF3BI-400	3	400	gFF	NH Fuse - IMGL	28
NHG00B	000	500	gG/gL	NH Fuse - Metal	39
NHG00B-400	000	400	gG/gL	NH Fuse - Metal	31
NHG00B-690	000	690	gG/gL	NH Fuse - Metal	51
NHG00BI	000	500	gG/gL	NH Fuse - IMGL	39
NHG00BI-400	000	400	gG/gL	NH Fuse - IMGL	31
NHG00BI-690	000	690	gG/gL	NH Fuse - Metal	51
NHG00B	00	500	gG/gL	NH Fuse - Metal	40
NHG00B-400	00	400	gG/gL	NH Fuse - IMGL	32
NHG00B-690	00	690	gG/gL	NH Fuse - Metal	52
NHG00BI	00	500	gG/gL	NH Fuse - IMGL	40
NHG00BI-400	00	400	gG/gL	NH Fuse - IMGL	32
NHG00BI-690	00	690	gG/gL	NH Fuse - Metal	52
NHG01B	01	500	gG/gL	NH Fuse - Metal	42
NHG01B-400	01	400	gG/gL	NH Fuse - Metal	33
NHG01BI	01	500	gG/gL	NH Fuse - IMGL	42
NHG01BI-400	01	400	gG/gL	NH Fuse - IMGL	33
NHG02B	02	500	gG/gL	NH Fuse - Metal	44
NHG02B-400	02	400	gG/gL	NH Fuse - Metal	34
NHG02BI	02	500	gG/gL	NH Fuse - IMGL	44
NHG02BI-400	02	400	gG/gL	NH Fuse - IMGL	34
NHG03B	03	500	gG/gL	NH Fuse - Metal	46
NHG03B-400	03	400	gG/gL	NH Fuse - Metal	35
NHG03BI	03	500	gG/gL	NH Fuse - IMGL	46
NHG03BI-400	03	400	gG/gL	NH Fuse - IMGL	35
NHG0B	0	500	gG/gL	NH Fuse - Metal	41
NHG1B	1	500	gG/gL	NH Fuse - Metal	43
NHG1B-400	1	400	gG/gL	NH Fuse - Metal	33
NHG1B-690	1	690	gG/gL	NH Fuse - Metal	53
NHG1BI	1	500	gG/gL	NH Fuse - IMGL	43
NHG1BI-400	1	400	gG/gL	NH Fuse - IMGL	33
NHG1BI-690	1	690	gG/gL	NH Fuse - IMGL	53
NHG2B	2	500	gG/gL	NH Fuse - Metal	45
NHG2B-400	2	400	gG/gL	NH Fuse - Metal	34
NHG2B-690	2	690	gG/gL	NH Fuse - Metal	54
NHG2BI	2	500	gG/gL	NH Fuse - IMGL	45
NHG2BI-400	2	400	gG/gL	NH Fuse - IMGL	34
NHG2BI-690	2	690	gG/gL	NH Fuse - IMGL	54
NHG3B	3	500	gG/gL	NH Fuse - Metal	47
NHG3B-400	3	400	gG/gL	NH Fuse - Metal	35
NHG3B-690	3	690	gG/gL	NH Fuse - Metal	55
NHG3BI-400	3	400	gG/gL	NH Fuse - IMGL	35
NHG4B-690	4	690	gG/gL	NH Fuse - Metal	56
NHG4G	4	500	gG/gL	NH Fuse - Metal	48
NHM000B	000	500	aM	NH Fuse - Metal	59
NHM000B-690	000	690	aM	NH Fuse - Metal	59
NHM00B	00	500	aM	NH Fuse - Metal	60
NHM00B-690	00	690	aM	NH Fuse - Metal	60
NHM1B	1	500	aM	NH Fuse - Metal	61
NHM1B-690	1	690	aM	NH Fuse - Metal	61
NHM2B	2	500	aM	NH Fuse - Metal	62
NHM2B-690	2	690	aM	NH Fuse - Metal	62
NHM3B	3	500	aM	NH Fuse - Metal	63
NHM3B-690	3	690	aM	NH Fuse - Metal	63
SD-D	1-pole	690	N/A	NH Base	64
SDL	N/A	N/A	N/A	Solid link	65
SD-PB	N/A	N/A	N/A	Phase barrier kit	66
SD-S	1-pole	690	N/A	NH Base	64
SD-SK	N/A	N/A	N/A	Shroud kit	65
TD-D	3-pole	690	N/A	NH Base	64
TD-IP20	N/A	N/A	N/A	IP20 Protection kit	66

Index - by size

Index - by size

Size	Voltage	Catalogue number	Class	Type	Page
0	500	NHG0B	gG/gL	NH Fuse - Metal	41
00	400	NHFF00BI-400	gFF	NH Fuse - IMGL	24
00	400	NHG00B-400	gG/gL	NH Fuse - IMGL	32
00	400	NHG00BI-400	gG/gL	NH Fuse - IMGL	32
00	500	NHG00B	gG/gL	NH Fuse - Metal	40
00	500	NHG00BI	gG/gL	NH Fuse - IMGL	40
00	500	NHM00B	aM	NH Fuse - Metal	60
00	690	NHG00B-690	gG/gL	NH Fuse - Metal	52
00	690	NHG00BI-690	gG/gL	NH Fuse - Metal	52
00	690	NHM00B-690	aM	NH Fuse - Metal	60
00 to 3	690	EBF	N/A	NH Fuse rails - vertical	70-73
00 to 4	400, 500, 690	EBH00 to 4	N/A	NH Fuse disconnecter - horizontal	84-91
000	400	NHFF000BI-400	gFF	NH Fuse - IMGL	23
000	400	NHG000B-400	gG/gL	NH Fuse - Metal	31
000	400	NHG000BI-400	gG/gL	NH Fuse - IMGL	31
000	500	NHG000B	gG/gL	NH Fuse - Metal	39
000	500	NHG000BI	gG/gL	NH Fuse - IMGL	39
000	500	NHM000B	aM	NH Fuse - Metal	59
000	690	EBH000	N/A	NH Fuse disconnecter - horizontal	80-83
000	690	NHG000B-690	gG/gL	NH Fuse - Metal	51
000	690	NHG000BI-690	gG/gL	NH Fuse - Metal	51
000	690	NHM000B-690	aM	NH Fuse - Metal	59
01	400	NHG01B-400	gG/gL	NH Fuse - Metal	33
01	400	NHG01BI-400	gG/gL	NH Fuse - IMGL	33
01	500	NHG01B	gG/gL	NH Fuse - Metal	42
01	500	NHG01BI	gG/gL	NH Fuse - IMGL	42
02	400	NHFF02BI-400	gFF	NH Fuse - IMGL	26
02	400	NHG02B-400	gG/gL	NH Fuse - Metal	34
02	400	NHG02BI-400	gG/gL	NH Fuse - IMGL	34
02	500	NHG02B	gG/gL	NH Fuse - Metal	44
02	500	NHG02BI	gG/gL	NH Fuse - IMGL	44
03	400	NHG03B-400	gG/gL	NH Fuse - Metal	35
03	400	NHG03BI-400	gG/gL	NH Fuse - IMGL	35
03	500	NHG03B	gG/gL	NH Fuse - Metal	46
03	500	NHG03BI	gG/gL	NH Fuse - IMGL	46
1	400	NHFF1BI-400	gFF	NH Fuse - IMGL	25
1	400	NHG1B-400	gG/gL	NH Fuse - Metal	33
1	400	NHG1BI-400	gG/gL	NH Fuse - IMGL	33
1	500	NHG1B	gG/gL	NH Fuse - Metal	43
1	500	NHG1BI	gG/gL	NH Fuse - IMGL	43
1	500	NHM1B	aM	NH Fuse - Metal	61
1	690	NHG1B-690	gG/gL	NH Fuse - Metal	53
1	690	NHG1BI-690	gG/gL	NH Fuse - IMGL	53
1	690	NHM1B-690	aM	NH Fuse - Metal	61
1-pole	690	SD-D	N/A	NH Base	64
1-pole	690	SD-S	N/A	NH Base	64
2	400	NHFF2BI-400	gFF	NH Fuse - IMGL	27
2	400	NHG2B-400	gG/gL	NH Fuse - Metal	34
2	400	NHG2BI-400	gG/gL	NH Fuse - IMGL	34
2	500	NHG2B	gG/gL	NH Fuse - Metal	45
2	500	NHG2BI	gG/gL	NH Fuse - IMGL	45
2	500	NHM2B	aM	NH Fuse - Metal	62
2	690	NHG2B-690	gG/gL	NH Fuse - Metal	54
2	690	NHG2BI-690	gG/gL	NH Fuse - IMGL	54
2	690	NHM2B-690	aM	NH Fuse - Metal	62
3	400	NHFF3BI-400	gFF	NH Fuse - IMGL	28
3	400	NHG3B-400	gG/gL	NH Fuse - Metal	35
3	400	NHG3BI-400	gG/gL	NH Fuse - IMGL	35
3	500	NHG3B	gG/gL	NH Fuse - Metal	47
3	500	NHM3B	aM	NH Fuse - Metal	63
3	690	NHG3B-690	gG/gL	NH Fuse - Metal	55
3	690	NHM3B-690	aM	NH Fuse - Metal	63
3-pole	690	TD-D	N/A	NH Base	64
4	500	NHG4G	gG/gL	NH Fuse - Metal	48
4	690	NHG4B-690	gG/gL	NH Fuse - Metal	56
N/A	250	170H0235	N/A	Microswitch	66
N/A	250	170H0236	N/A	Microswitch	66
N/A	250	170H0238	N/A	Microswitch	66
N/A	250	BVL50	N/A	Microswitch	66
N/A	690	EBV	N/A	NH Fuse disconnecter - vertical	74-79
N/A	N/A	FEH	N/A	Fuse extraction handle	65
N/A	N/A	SDL	N/A	Solid link	65
N/A	N/A	SD-PB	N/A	Phase barrier kit	66
N/A	N/A	SD-SK	N/A	Shroud kit	65
N/A	N/A	TD-IP20	N/A	IP20 Protection kit	66

Contact details

Customer satisfaction team

Eaton's customer satisfaction team is available to answer questions regarding Eaton's Bussmann series products.

Europe calls can be made between:

Monday — Friday 7.30 a.m. - 5.00 p.m. GMT

The customer satisfaction team can be reached via:

Phone: 00 44 (0) 1509 882 600

Fax: 00 44 (0) 1509 882 786

Email: bulesales@eaton.com

www.my.eaton.com

www.my.eaton.com supports the following product lines: B-Line series, Bussmann series, Crouse-Hinds series, Lighting solutions, Cooper Power series and Wiring devices.

Get started today at www.my.eaton.com by clicking 'Request User ID and Password'.

- Easy to Navigate
- Simple to Use
- Real-Time Data

Online resources

Visit www.eaton.com/bussmannseries for the following resources:

- Product cross reference
- Product profiles
- Online catalogues for the latest United States and European catalogues.

Application engineering

Application engineering assistance is available to all customers. The application engineering team is staffed by university-qualified electrical engineers who are available with technical and application support.

European calls can be made between:

Monday — Thursday 8.30 a.m. - 4.30 p.m. GMT

Friday 8.30 a.m. - 4.00 p.m. GMT

Application engineering can be reached via:

Phone: 00 44 (0) 1509 882 699

Fax: 00 44 (0) 1509 882 794

General technical enquiries: buletechnical@eaton.com

High speed technical enquiries:
bulehighspeedtechnical@eaton.com

At Eaton, we're energized by the challenge of powering a world that demands more. With over 100 years experience in electrical power management, we have the expertise to see beyond today. From groundbreaking products to turnkey design and engineering services, critical industries around the globe count on Eaton.

We power businesses with reliable, efficient and safe electrical power management solutions. Combined with our personal service, support and bold thinking, we are answering tomorrow's needs today. Follow the charge with Eaton. Visit eaton.com/electrical.

Contact your local Eaton office

Electrical Sector
Eaton Electrical Products Limited
Melton Road
Burton-on-the-Wolds
LE12 5TH
Leicestershire
United Kingdom
bulesales@eaton.com
www.eaton.com



CHS Controls AB

Florettgatan 33
SE-254 67 Helsingborg, Sweden
Tel +46 42 38 61 00, Fax +46 42 38 61 29
chs@chscontrols.se
www.chscontrols.se

Eaton Industries Manufacturing GmbH

Electrical Sector EMEA
Route de la Longeraie
71110 Morges, Switzerland
Eaton.eu

© 2017 Eaton
All Rights Reserved
PDF Only
Publication No.CA132063EN
October 2017

Changes to the products, to the information contained in this document, and to prices are reserved; so are errors and omissions. Only order confirmations and technical documentation by Eaton is binding. Photos and pictures also do not warrant a specific layout or functionality. Their use in whatever form is subject to prior approval by Eaton. The same applies to Trademarks (especially Eaton, Moeller, and Cutler-Hammer). The Terms and Conditions of Eaton apply, as referenced on Eaton Internet pages and Eaton order confirmations.

Eaton is a registered trademark.

All other trademarks are property of their respective owners.

Follow us on social media to get the latest product and support information.



Powering Business Worldwide