

# High-Intensity 200 000 cd Aviation Obstruction Light

ICAO High-Intensity Type A 200 000 cd  
 NVG Compliant Infrared 850nm Light

**OBELUX**  
 AVIATION LIGHTS

Obelux Oy, Kutomotie 6 B, 00380 Helsinki FINLAND | The information in this document is subject to change without notice. © Obelux Oy 2019

WWW.OBELUX.COM

## Optical characteristics

- ▶ 200 000 cd @ Day
- ▶ 20 000 cd @ Twilight
- ▶ 2 000 cd @ Night
- ▶ Colour aviation WHITE
- ▶ NVG compliant infrared (850nm) as an option
- ▶ Horizontal beam 120° or 90°
- ▶ Vertical beam > 3°



The picture shown is for illustration purposes only.

## High-Intensity White 200 000 cd LED Aviation Obstruction Lights

Obelux high-intensity stand-alone 200 000 cd model is used for marking tall structures, such as wind turbines, transmission masts, chimneys, broadcast masts, etc. The product offers unique features such as incorporated fault monitoring, photocell, GPS synchronization, and it supports both stand-alone and Modbus operation as a part of Obelux aviation light system network.

## Design to meet

ICAO International Standards and Recommended Practices:  
 Aerodromes Annex 14 Volume 1,  
 8th Edition, July 2018, Chapter 6:  
 High-intensity Type A.

## Key Features

- ▶ Based on LED technology
- ▶ 200 000 cd WHITE flashing
- ▶ Supports both stand-alone and RS-485 Modbus operations
- ▶ Suitable for Offshore environment
- ▶ Built-in GPS synchronisation
- ▶ Visibility sensor interface controlled luminous output levels 10%, 30%, and 100%
- ▶ Built-in photocell and fault monitoring
- ▶ Dry contact alarm relay
- ▶ Easy to chain (no need for junction box)
- ▶ Hot start for radar-controlled systems
- ▶ Design lifetime more than 20 years
- ▶ Embedded Web Server
- ▶ 5-year warranty

# High-Intensity 200 000 cd Aviation Obstruction Light

ICAO High-Intensity Type A 200 000 cd  
NVG Compliant Infrared 850nm Light

**OBELUX**  
AVIATION LIGHTS

Obelux Oy, Kutomotie 6 B, 00380 Helsinki FINLAND | The information in this document is subject to change without notice. © Obelux Oy 2019

WWW.OBELUX.COM

## Electrical Characteristics

- ▶ Operating voltage (AC):  
Nominal 100-240V<sub>AC</sub> ±10%, 50Hz / 60Hz ± 6%  
(Range 90-265V<sub>AC</sub>)
- ▶ Operating voltage (DC): 20-60V<sub>DC</sub>
- ▶ Flash rates: 20/30/40 fpm
- ▶ Meets standards:  
EMC (Emissions): EN 61000-6-4  
EMC (Immunity): EN 61000-6-2
- ▶ Power consumption for DC versions
  - 83 W @ Day (WHITE, 40 fpm)
  - 15 W @ Twilight (WHITE, 40 fpm)
  - 6 W @ Night (WHITE, 40 fpm)
  - 8 W @ Night (WHITE+IR, 40 fpm)
- ▶ Power consumption for AC versions
  - 85 W @ Day (WHITE, 40 fpm)
  - 17 W @ Twilight (WHITE, 40 fpm)
  - 7 W @ Night (WHITE, 40 fpm)
  - 9 W @ Night (WHITE+IR, 40 fpm)
- ▶ Alarm relay output NO/NC dry contact  
Switch voltage/current max: 50VDC / 1A, 250VAC / 10A

## Additional Factory-Installed Options

- ▶ Cold-climate version including heater (CCV)
- ▶ NVG compliant infrared (IR)
- ▶ 4 x Input and 4 x Output (IO)
- ▶ Ethernet Switch, 2 x fiber SC multimode Female, 2 x copper RJ45 (EF)

## Optional Controllers

- ▶ CP Series (Ethernet TCP/IP and RS-485 ModBus, AC or DC)
- ▶ CP-M1 Series (RS-485 ModBus, AC or DC)

## Recommended Cables (Outdoor)

- ▶ AC Power: 3x1,5mm<sup>2</sup> or 3x2,5mm<sup>2</sup>
- ▶ DC Power (long distance): 3x4mm<sup>2</sup> or 3x6mm<sup>2</sup>
- ▶ Data: CAT 6 or 3x0,75 mm<sup>2</sup>
- ▶ Alarm: 3x1,5mm<sup>2</sup> or 3x2,5mm<sup>2</sup>
- ▶ Power + Alarm: 6x1,5mm<sup>2</sup> or 6x2,5mm<sup>2</sup>

Order code	Output	ICAO	Operating voltage	GPS sync.	Infrared	CCV	Photocell and Fault monitoring	Horizontal beam	Weight
HI-ICAO-AC-200K-GAM-X-Y	200 000 cd	Type A	100-240VAC	Yes	No	No	Yes	120°	22 kg
HI-ICAO-AC-200K-CCVGAM-X-Y	200 000 cd	Type A	100-240VAC	Yes	No	Yes	Yes	120°	22 kg
HI-ICAO-AC-200KIR-GAM-X-Y	200 000 cd	Type A	100-240VAC	Yes	Yes	No	Yes	120°	22 kg
HI-ICAO-AC-200KIR-CCVGAM-X-Y	200 000 cd	Type A	100-240VAC	Yes	Yes	Yes	Yes	120°	22 kg
HI-ICAO-DC-200K-GAM-X-Y	200 000 cd	Type A	20-60VDC	Yes	No	No	Yes	120°	22 kg
HI-ICAO-DC-200K-CCVGAM-X-Y	200 000 cd	Type A	20-60VDC	Yes	No	Yes	Yes	120°	22 kg
HI-ICAO-DC-200KIR-GAM-X-Y	200 000 cd	Type A	20-60VDC	Yes	Yes	No	Yes	120°	22 kg
HI-ICAO-DC-200KIR-CCVGAM-X-Y	200 000 cd	Type A	20-60VDC	Yes	Yes	Yes	Yes	120°	22 kg

X:

Y:

{ } = Without any extension board  
IO = Including IO Interface  
EF = Including Ethernet Interface

{ } = Without any mounting set  
A = Including mounting set A  
B = Including mounting set B

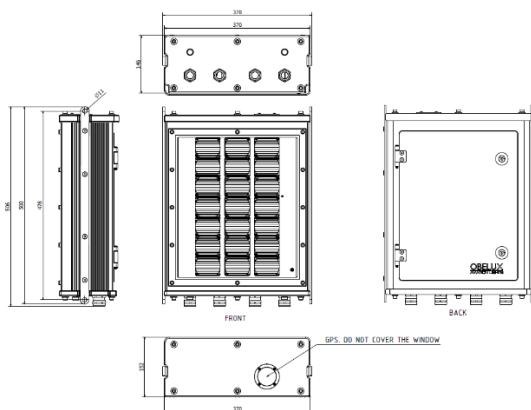
For High Intensity White and Medium intensity Red, please look at HID-XXX-XXX datasheet series.

Products also available with 90° horizontal beam.

# High-Intensity 200 000 cd Aviation Obstruction Light

ICAO High-Intensity Type A 200 000 cd  
NVG Compliant Infrared 850nm Light

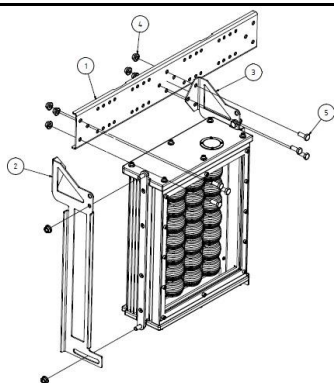
**OBELUX**  
AVIATION LIGHTS



## Mechanical Characteristics

- ▶ Anodized marine grade aluminium body
- ▶ Glass cover
- ▶ Degree of protection IP66
- ▶ Operating temperature range -40...+55 °C
- ▶ Height 506 mm, width 378 mm, depth 152 mm
- ▶ Weight 22 kg
- ▶ 4 x M25 cable glands
- ▶ Cable diameter 11 to 17 mm (includes 6-13 mm cable gland seal)
- ▶ Easy to chain (no need for junction box)
- ▶ 7-mm triangular lock
- ▶ GPS and Photocell window

## Available mounting sets



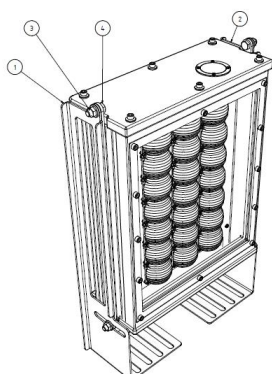
### Mounting Set A

Mounting set with bracket. The set includes:

- ▶ (1) 1 pc X003513 Mounting plate, H100K/H200\*
- ▶ (2) 1 pc X003512 Mounting bracket, H100K/H200\*
- ▶ (3) 1 pc X003512 MIR\*
- ▶ (4) 10 pcs ISO 4161 – M10\*
- ▶ (5) 10 pcs ISO 4017 – M10 x 25\*

\* all parts as stainless steel.

▶ Order Code MS-HI-A



### Mounting Set B

Mounting set for flat surface. The set includes:

- ▶ (1) 1 pc X003514 stand H100K/H200\*
- ▶ (2) 1 pc X003514 MIR\*
- ▶ (3) 4 pcs ISO 4161 – M10\*
- ▶ (4) 4 pcs ISO 4017 – M10 x 25\*

\* all parts as stainless steel.

▶ Order Code MS-HI-B