

TELARC

YOU CAN TRUST US



DISCONNECTOR **CATALOGUE**

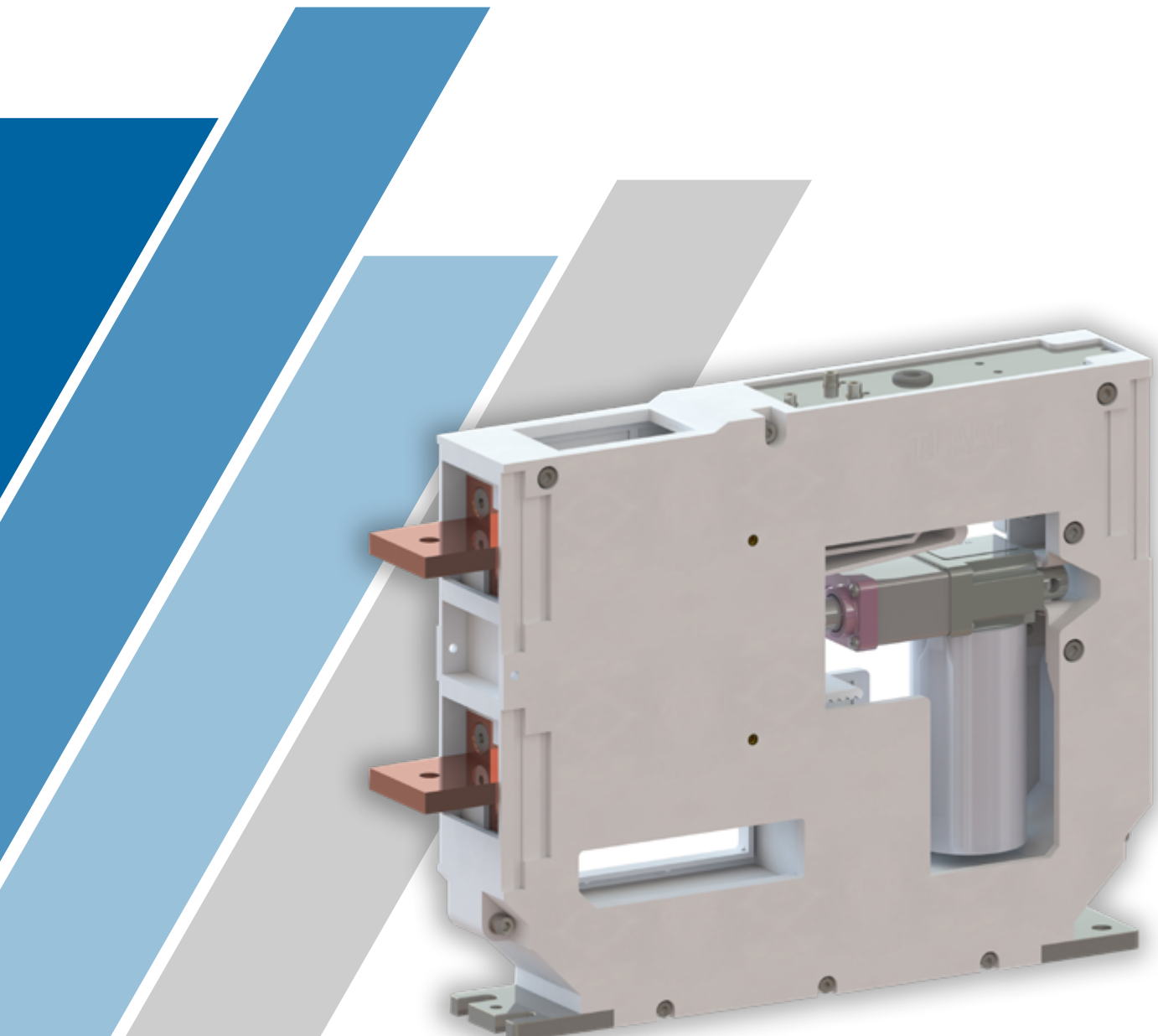


Work applications



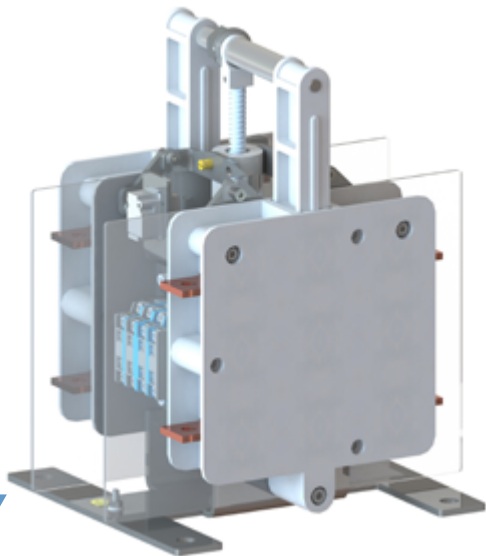
CHS Controls AB
Tel +46 42 38 61 00, Fax +46 42 38 61 29
chs@chscontrols.se www.chscontrols.se

www.telarc.it

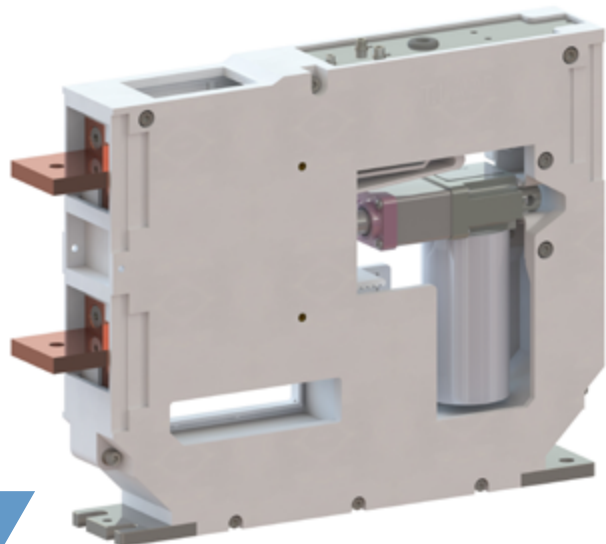


Telarc disconnectors

Cover a wide range of applications with selection of light or heavy duty solutions



TK



TS

Designed to railway standards but suitable for multiple applications



Rolling stock

Our products for the railway and industrial sectors are designed to comply with strict international regulations but also taking care of our customer needs in terms of installation.



Substation equipment

We produce switches up to 4kV DC and AC current that guarantee high quality and safety standards.



Energy production

We design our products taking care of the environment around us and we use energy saving systems to allow our products to minimize power consumption during the life cycle.

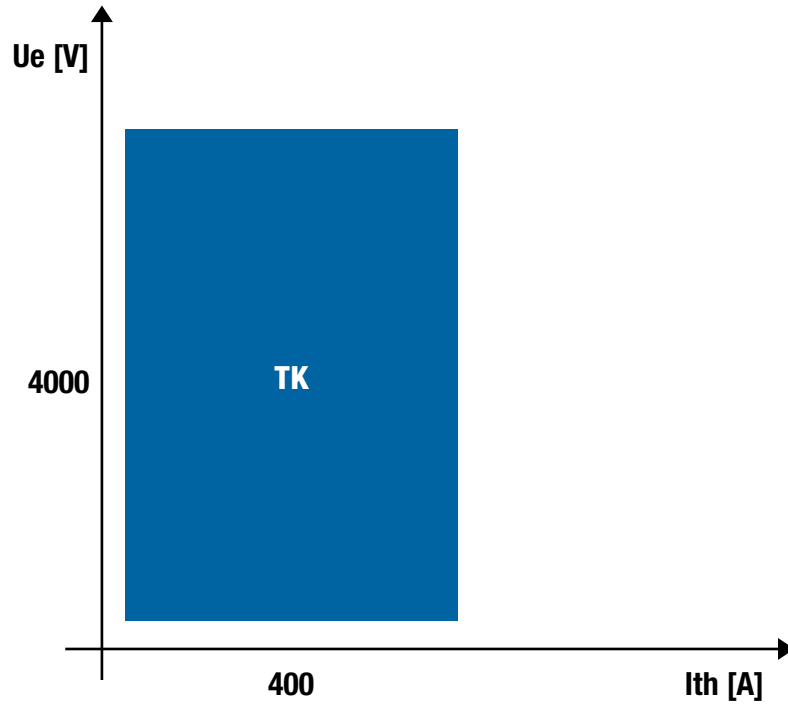


Industrial application

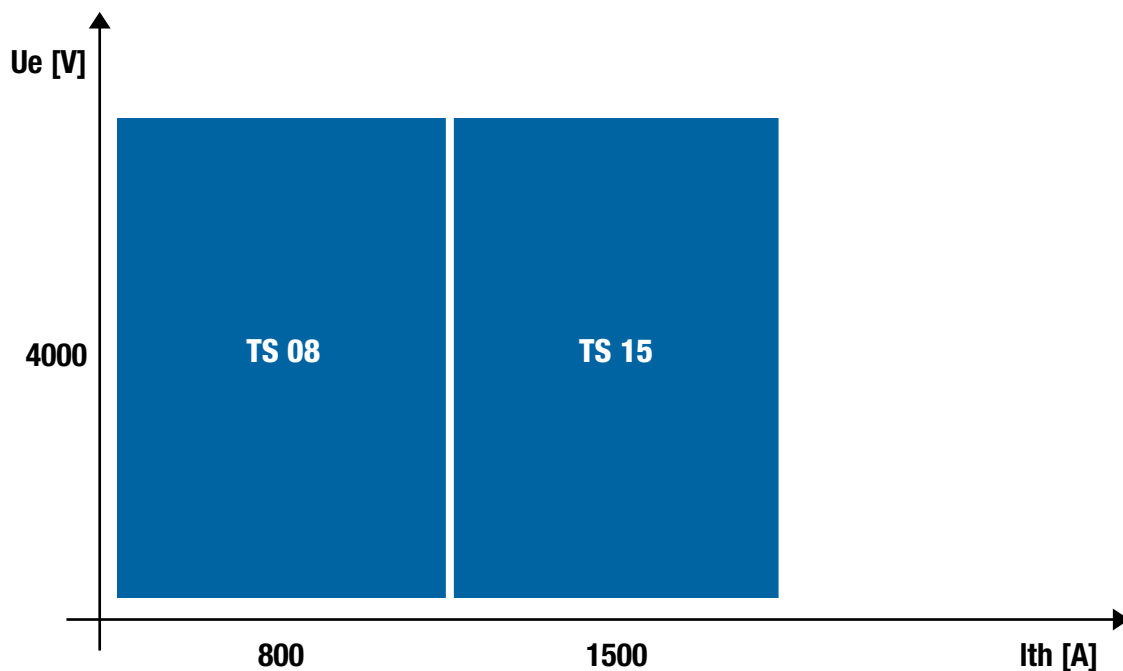
We cooperate with our Customers and we are part of their successes in various fields of application, from Railway systems, to transport people in a sustainable way, up to hydroelectric plants to produce clean energy.

A complete range of disconnectors in single or multipole configuration

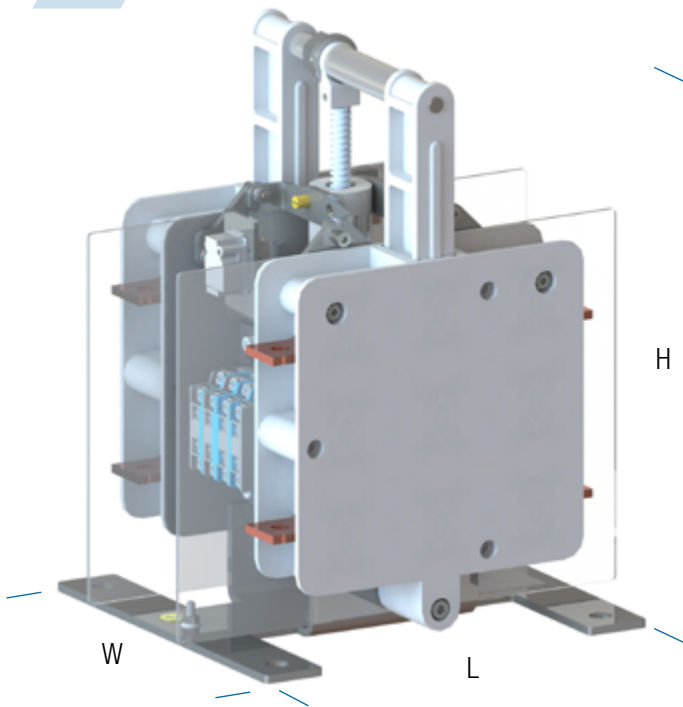
Light Duty Disconnectors



Heavy Duty Disconnectors



TK Light Duty Disconnectors



Type	L mm	H mm	W per pole mm
Motor Module	200	270	80
1NO+1NC pole	200	270	40

Space requirement (for exact dimensions please refer to dedicated datasheet)

L = 200mm

H = 270mm

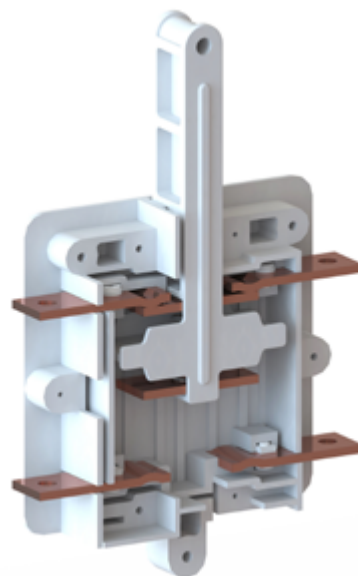
W = 80mm + 40mm x Number of poles

Features

TK serie is a 4kV insulated OFF load disconnecter, based on a modular construction.

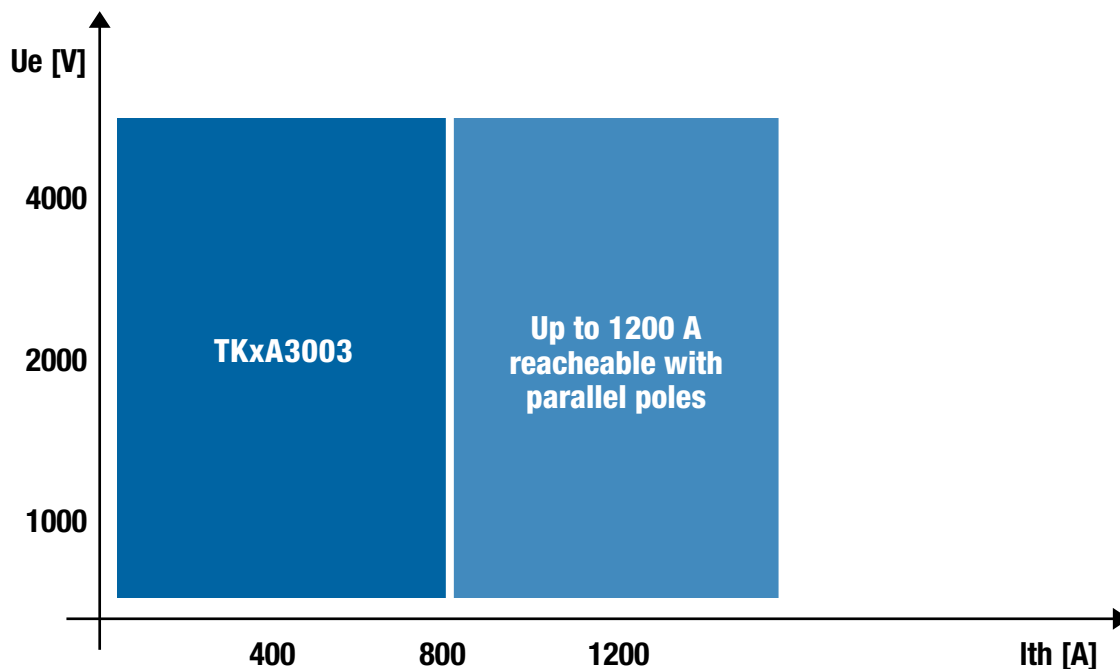
A driving module with motor is the core of the product.

Additional modules with main contacts can be added to configure the product, for any application. Every contact module is 1NO+1NC 400A contacts. TK disconnectors can be installed in any spatial configuration.



TK overview summary and part numbering

TK disconnectors are suitable for 4kV systems. Thermal current of the single pole is 400A and it is possible to parallel more than one pole to increase capacity

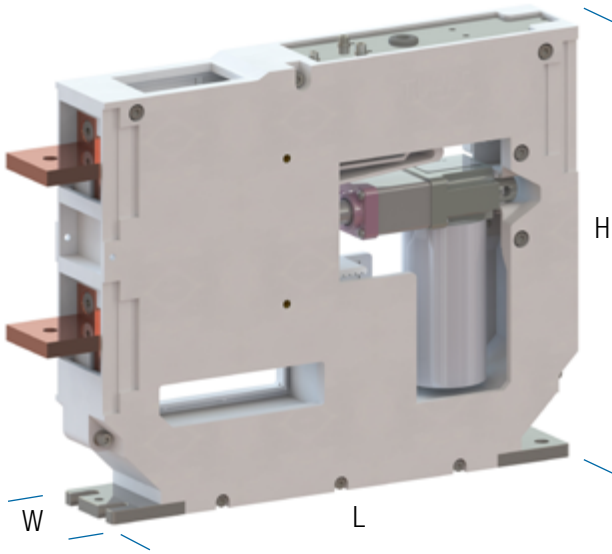


10 Main Digits (Father Part Number)										5 Configuration Digits (Son Part Number)											
1	2	3	4	5	6	7	8	9	10	11	12	13	14	15							
T	K	1	A	3	0	0	4	C	L	A	N	0	0	0							
Number of poles (1-6) (*)				Poles configuration		System Voltage		Thermal current per pole @40°C		Actuator		Terminals configuration		Project Digits		Aux Contact Model		No. Of aux contacts (S=screw / F=faston)		Control voltage Vc (+25%/-30%)	
Up to 3600 V				Normally Open + Normally Closed		Up to 400 V		400 Amp		Bistable Motor		Standard terminals		XX		-		N		A	
30				A		30		04		C		L		Special versions ID		PBX		No aux contacts		24 V _{DC}	
				B												Y		2 NO + 2 NC S		36 V _{DC}	
																Other		2 NO + 2 NC F		48 V _{DC}	
																				72 V _{DC}	
																				110 V _{DC}	
																				Optional version (**)	
																				Optional version (**)	
																				Optional version (**)	
																				Optional version (**)	

(*) Up to 6 poles with single Actuator

(**) Please contact us for details

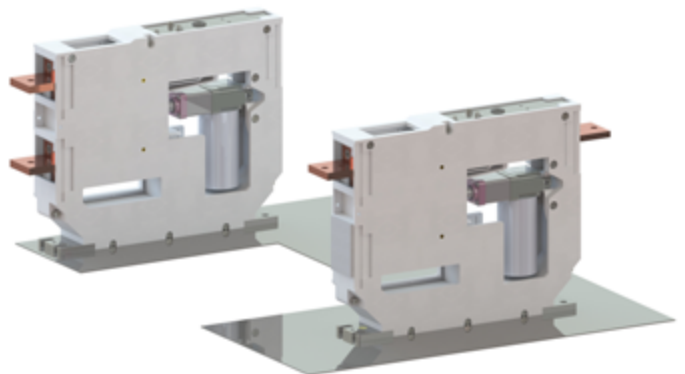
TS Heavy Duty Disconnectors



Type	L mm	H mm	W per pole mm
Motor Module	500	330	70

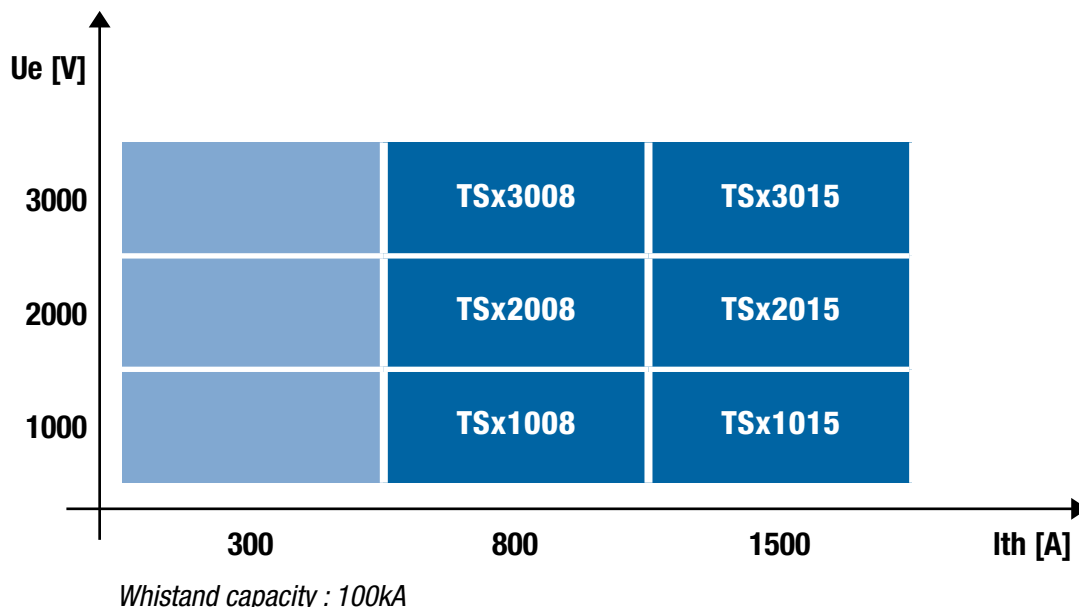
Features

TS serie is a 4kV insulated OFF load disconnector with extremely high whitstand capability. It is available in Normally Open / Normally Closed or Change over configuration. Multipole versions are mechanically connected and driven by a single motor. TS disconnectors can be installed in every spatial configuration. Available with different terminals.



TS overview summary and part numbering

TS disconnectors are suitable for 4kV systems. Two thermal ratings are available : 800A and 1500A. High withstand capacity is the strength of this serie : 100kA / 100ms.



8 Main Digits (Father Part Number)								7 Configuration Digits (Son Part Number)						
1	2	3	4	5	6	7	8	9	10	11	12	13	14	15
T	S	1	3	0	1	5	C	E	H	2	C	0	0	0

Of NO or C/O poles (1-3)

Voltage of poles

10
20
30

Current per pole @40° C

08
15

Terminals configuration

	C - shape	NO poles - flat terminals	C
	S - shape	NO poles - flat terminals	S
	E - shape	NO poles - straight terminals	E
	T - shape	NO poles - straight terminals	T
	F - shape	C/O poles - flat terminals	F
	Y - shape	C/O poles - straight terminals	Y

Project Digits
XX Special versions

Aux Contact Model

0	-	U	S826
C	PBX	Y	Other

No. Of aux contacts (S=screw / F=faston)

00	No aux contacts		
1C	1 NO + 1 NC S	3C	3 NO + 3 NC S
1F	1 NO + 1 NC F	3F	3 NO + 3 NC F
2C	2 NO + 2 NC S	4C	4 NO + 4 NC S
2F	2 NO + 2 NC F	4F	4 NO + 4 NC F

Mounting orientation

H	Floor mounting - base plate
V	Wall mounting - base plate vertical

Control voltage Vc (+25%/-30%)

DC SUPPLY	A	24 V _{DC}	D	72 V _{DC}
	B	36 V _{DC}	E	110 V _{DC}
	C	48 V _{DC}		

Rectified AC supply to be controlled on DC side

Telarc certificated Company

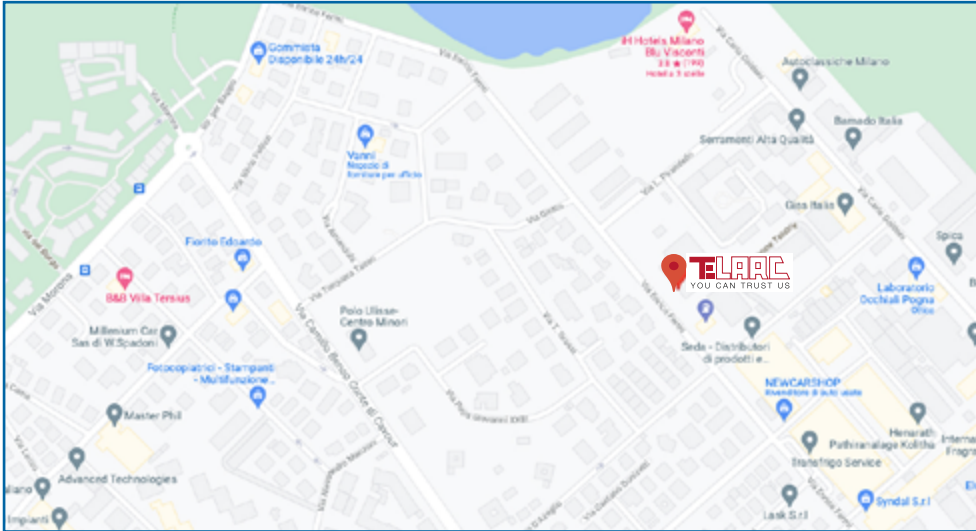


ISO 9001:2015

Our Quality Management System is certified to the high ISO (International Organization for Standardization) standards and our concept of quality extends way beyond this. We focus on total quality, which includes advanced processes and the culture of our organization.



Telarc is present with subsidiaries in other countries



Telarc Italy

Telarc srl
 via E. Fermi 50,
 20090 Trezzano
 sul Naviglio (MI)
[google maps](#)



Telarc China

Telarc Electrical
 (Shanghai) Co., Ltd.
 No. 565 Chenjing Road
 Sijing Town Songjiang
 District Shanghai
[google maps](#)



Telarc Russia

Telarc R LLC
 Okruzhnaya Ulitsa, 3, Penza,
 Penza Oblast, Russia, 440031
[google maps](#)



Telarc srl

Direzione e Uffici Commerciali: via E. Fermi 50 20090 Trezzano sul Naviglio (MI)
telefono: +39 02 4969 9540 - sales@telarc.it - www.telarc.it

	CHS Controls AB Tel +46 42 38 61 00, Fax +46 42 38 61 29 chs@chscontrols.se www.chscontrols.se
---	---