

STRIKE TECHNOLOGIES

ZORC®

TRANSIENT SURGE SUPPRESSOR

The ZORC® is a unique high frequency transient over-voltage surge suppressor for the protection of motors, transformers and generators from spikes, surges and circuit switching.



www.strike.co.za 

GENERAL INDUSTRY • UTILITIES • MINING

OPERATIONAL INFORMATION & SPECIFICATIONS

ZORC® Surge Suppressor

Every year huge losses are incurred by end-users because of insulation failures of medium voltage (3KV - 40KV) motors, generators and transformers. Owing to the nature and duty normally associated with medium voltage equipment, the indirect costs are often significantly higher than the direct repair costs.

The protective characteristics of the ZORC surge suppressor provide comprehensive insulation co-ordination with both the CIGRe and IEEE motor impulse voltage withstands characteristics at all practical surge magnitudes and rise-times.

ZORC surge suppressor eliminates multiple pre-striking and re-striking (re-ignition) transients associated with vacuum and other switchgear.

Suitable for both switchgear panel and machine terminal box mounting, the ZORC surge suppressor is an easy-to-apply, compact and low cost solution to the extremely expensive problem of motor, transformer and generator.

It is good engineering practice for any machine that has a winding to be fitted with a ZORC surge suppressor in order to protect and prolong its work life. Many thousands of ZORC surge suppressors have been installed over the past 25 years on motors, generators and transformers, solving the pressing problem of insulation failures and attendant repair and downtime costs.

Why buy a ZORC surge suppressor

ZORC is designed, manufactured and supported in South Africa to meet the needs of our harsh climate.

ZORC saves money by eliminating production downtime incurred as a result of insulation failures.

ZORC protects and extends new as well as retrofitted motors, generators and transformers throughout their service life.

ZORC offers an unparalleled price to performance ratio.

ZORC eliminates multiple pre-striking and re-striking transients associated with vacuum and other switchgear.

ZORC halves the magnitude of steep wave-front surges impinging on the load terminals (i.e. eliminates voltage doubling effects).

A ZORC is maintenance-free, requiring only periodic cleaning of bushings in contaminated areas.

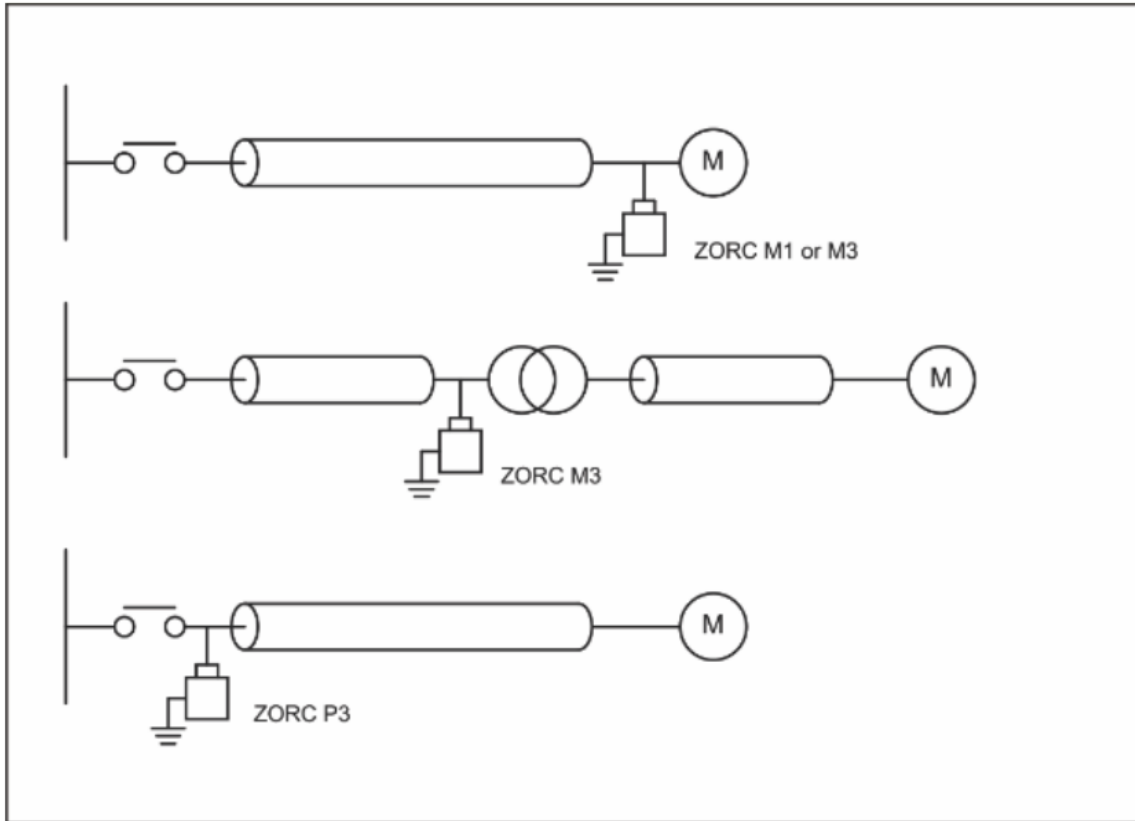
Applications

For many decades ZORC surge suppressor have been installed with overwhelming success on machinery in the following industries:

Chemical and Petrochemical, Pulp and Paper, underground and surface Mining, Metal beneficiation, Power generation, Pumping (water pumping stations as well as oil pipelines, Rail, and associated industries.



Preferred connections



Key Features and Functions

The ZORC surge suppressor is compact enough to be fitted within most motor, transformer or generator terminal enclosures or switchgear panels.

ZORC surge suppressors versions are available for both machine mounting (M-type) and panel mounting (P-type).

ZORC surge suppressors are available for both single phase and three phase versions. Single-phase versions are suitable for installing in phase segregated terminal enclosures.

As an option ZORC surge suppressors may be ordered certified for use in potentially flammable atmospheres (Class 1 Division 2 locations, ExN non sparking), temperature classes T1 to T5, to SABS 970-1971 (amended).

The ZORC surge suppressors may be mounted in any orientation, and convenient mounting brackets or clamps are provided.

ZORC surge suppressor models are available to suit various voltages from 400V up to 40KV

Each ZORC surge suppressor is routine tested prior to dispatch. Test certificates are available.

Once installed, the annual maintenance and testing of the ZORC surge suppressor is very low cost and can happen during operation (no shutdown necessary).

The ZORC surge suppressor is designed and manufactured complying with the overall manufacturing standards IEC 60871-1:2005 / ANSI, IEEE 18 / NEMA CP-1 / VDE 0560 part 410 / CIGRe 13.02 and the quality management system ISO 9001:2008.



CHS Controls AB
Tel +46 42 38 61 00, Fax +46 42 38 61 29
chs@chscontrols.se www.chscontrols.se



www.strike.co.za 

CONTACT US

31 Park Avenue North
Highway Business Park
Old Johannesburg Road
Centurion
South Africa

Tel: +27-12-804-9550
Fax: +27-12-804-8512
info@strike.co.za

PO Box 30220
Sunnyside
0132
Pretoria
South Africa